

Technical Manual



JBL AC26/-WH

SPECIFICATIONS

ACOUSTIC & ELECTRICAL SPECIFICATIONS:

- Nominal Impedance: 8 Ohms
- System Input Power Rating: 300W Continuous Pink Noise, 600W Program, 1200W Peak
- Frequency Response: 70 Hz - 18 kHz (± 3 dB)
- Frequency Range: 55 Hz - 20 kHz (-10 dB)
- System Sensitivity: 92 dB (1 Watt @ 1 Meter)
- Maximum SPL: 115 dB SPL Continuous
- Crossover Frequency: 2.2 kHz

SYSTEM COMPONENTS:

- Cabinet: Enclosure (Not for Sale)
- Grille: 365014-001, 365014-101 (WH)
- Low Frequency Transducer: 2 226J, 165 mm (6.5 in.) Cone Transducer
- DC Resistance: 9.2 ohm
- High Frequency Transducer: 2414H, 25 mm (1 in.) Exit Compression Driver

SYSTEM COMPONENTS: (CONT'D)

- DC Resistance: 3.60 ohms ± 0.2 ohms
- Crossover Network: 365062-001

AURAL SWEEP TEST SPECIFICATIONS:

- A. System Aural Sweep Test: 5.0V Input, 20 Hz to 20 kHz
- B. L.F. Aural Sweep Test: 5.0V Input, 20 Hz to 2 kHz
- C. H.F. Aural Sweep Test: 0.75V Input, 500 Hz to 1.5 kHz

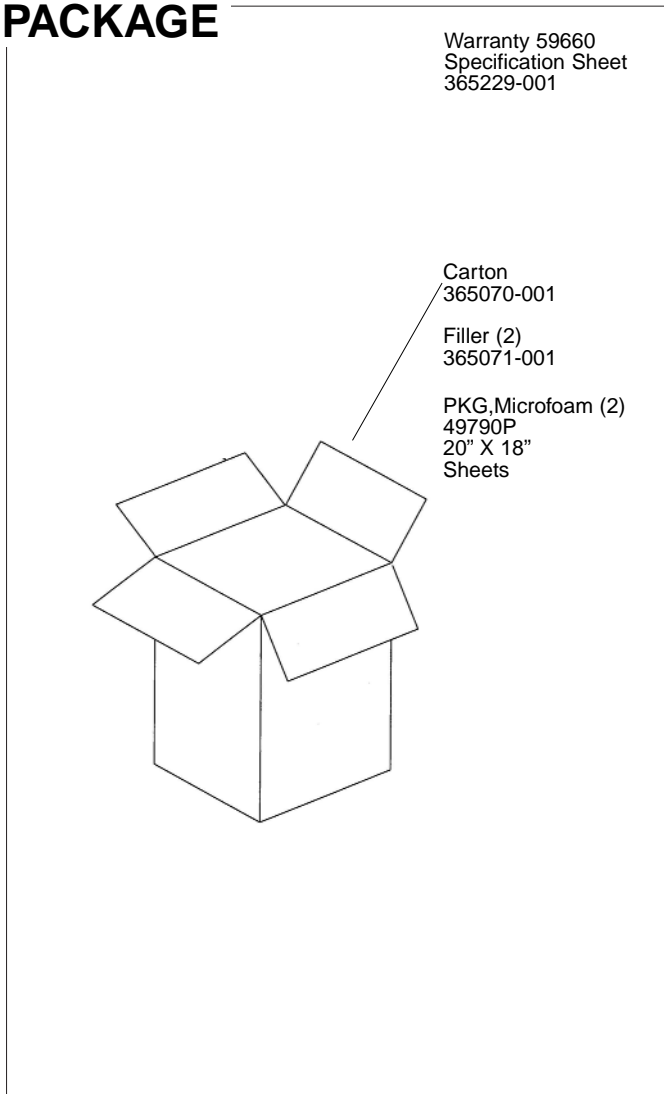
PHYSICAL SPECIFICATIONS:

- Enclosure Dimensions: 539.8 x 199.4 x 226.1 mm D (21.3 x 7.8 x 8.9 in.D.)
- Shipping Weight: 24.3 lb (11.0 kg.)

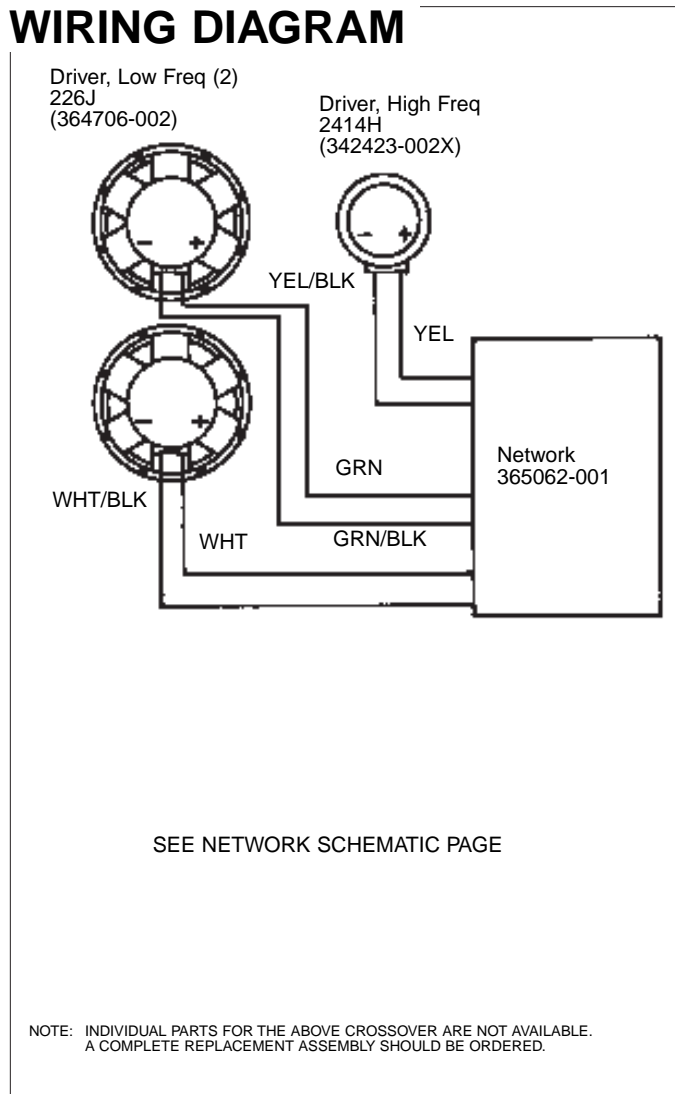
WARRANTY INFORMATION:

- Refer to Warranty Statement packed with each product.

PACKAGE

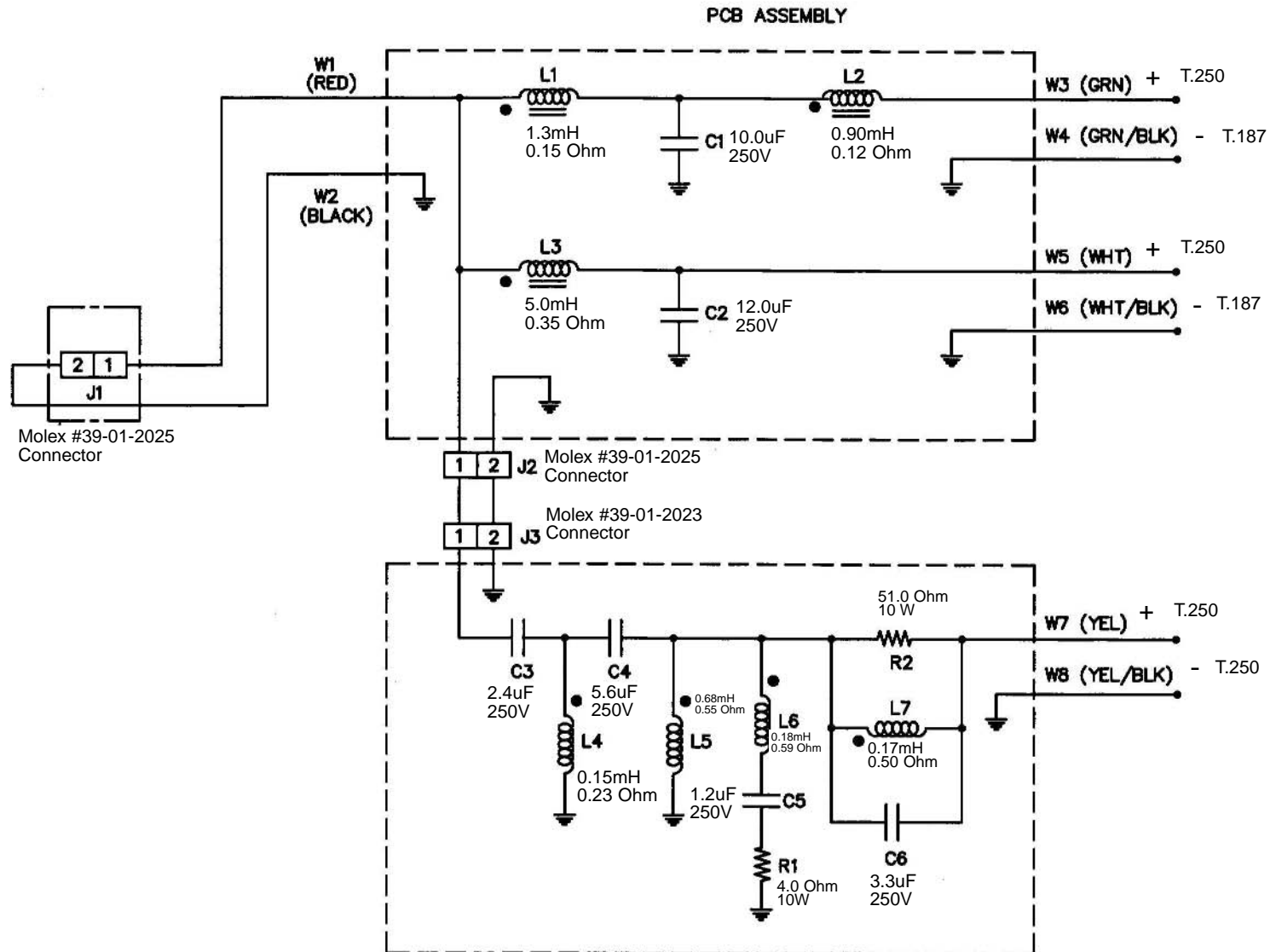


WIRING DIAGRAM



JBL AC26/-WH

SCHEMATIC (365062-001)

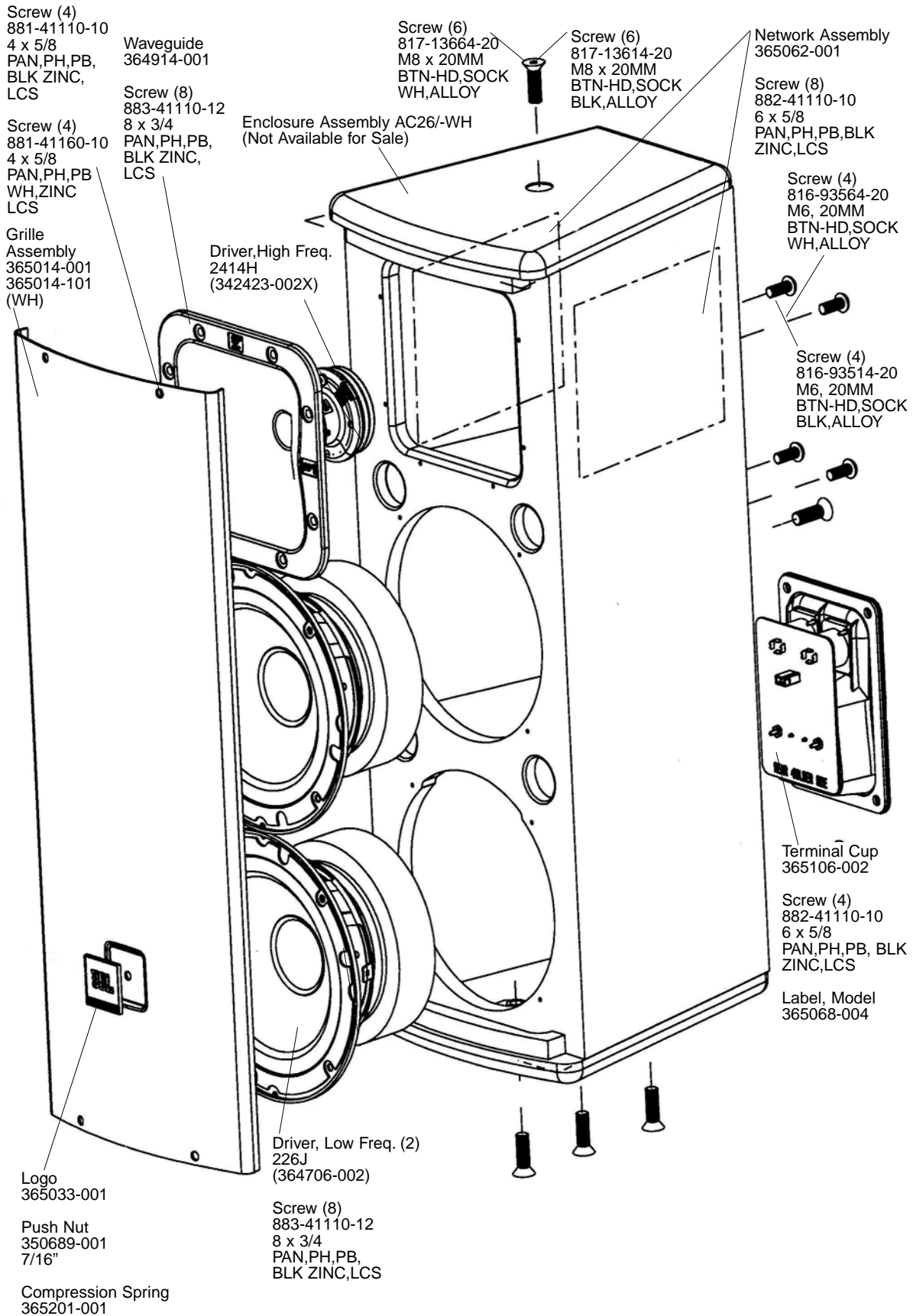


Individual Parts for the above crossover are not available.
A complete replacement assembly should be ordered.

JBL AC26/-WH

JBL AC26/-WH

COMPONENT EXPLODED VIEW



JBL AC26/-WH