

Technical Manual



JBL AS2215-STD

SPECIFICATIONS

ACOUSTIC & ELECTRICAL SPECIFICATIONS:

- Nominal Impedance: LF 8 ohm, HF 16 ohm
- Power Capacity: LF 600W, HF 150W
- Frequency Range: 35 Hz - 18 kHz
- Sensitivity: LF 97 dB*, HF 116 dB*
- Crossover Frequencies: High Pass: 30 Hz - 40 Hz (12 dB/OCT)
Bi-Amp Low Pass: 500 Hz - 1 kHz (12 dB/OCT Min.)

SYSTEM COMPONENTS:

- Cabinet: CAS2215-STD
- Grille: GAS2215
- Low Frequency Transducer: 380mm (15 in.) Paper Cone Transducer (2226H)
- DC Resistance: 5.0 ohm \pm 10% Aluminum Wire

*1 Watt (2.83 V RMS) @ 1 Meter

SYSTEM COMPONENTS: (cont'd)

- High Frequency Transducer: 49mm (2 in.) Pure Titanium Compression Driver (2446J)
- DC Resistance: 8.0 ohm \pm 8% Aluminum Wire
- Crossover Network: (AS-2/PCB-1)

AURAL SWEEP TEST SPECIFICATIONS:

- A. System Aural Sweep Test: 7.0V Input, 20 Hz to 20 kHz
- B. L.F. Aural Sweep Test: 14.5V Input, 20 Hz to 1.2 kHz
- C. H.F. Aural Sweep Test: 2.0V Input, 550 Hz to 20 kHz

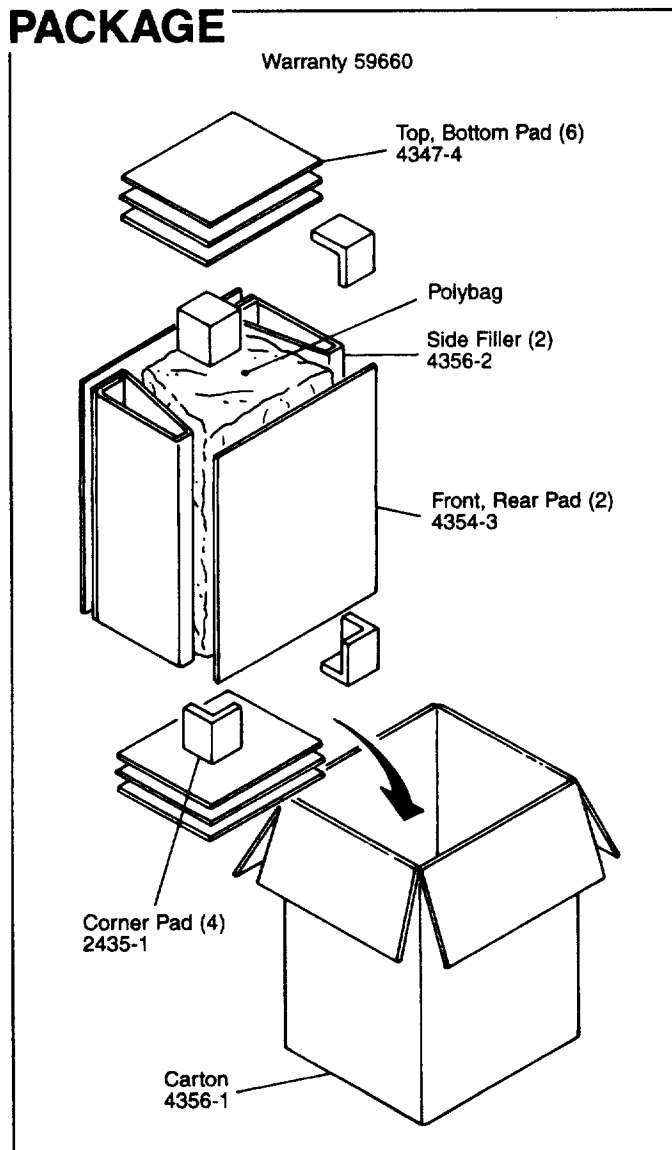
PHYSICAL SPECIFICATIONS:

- Enclosure Dimensions: 826mm x 603mm x 438mm D (32.5 x 23.75 x 17.25 in. D)
- Shipping Weight: 120 bs. (54.4 kg.)

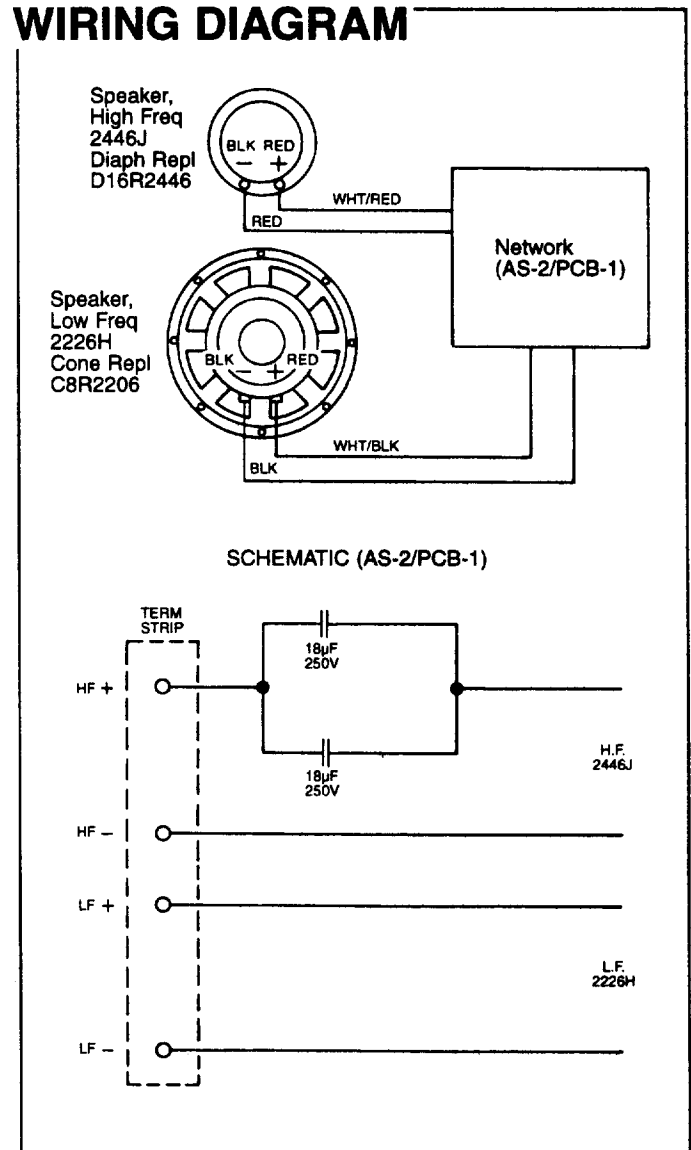
WARRANTY INFORMATION:

- Refer to Warranty Statement packed with each product.

PACKAGE

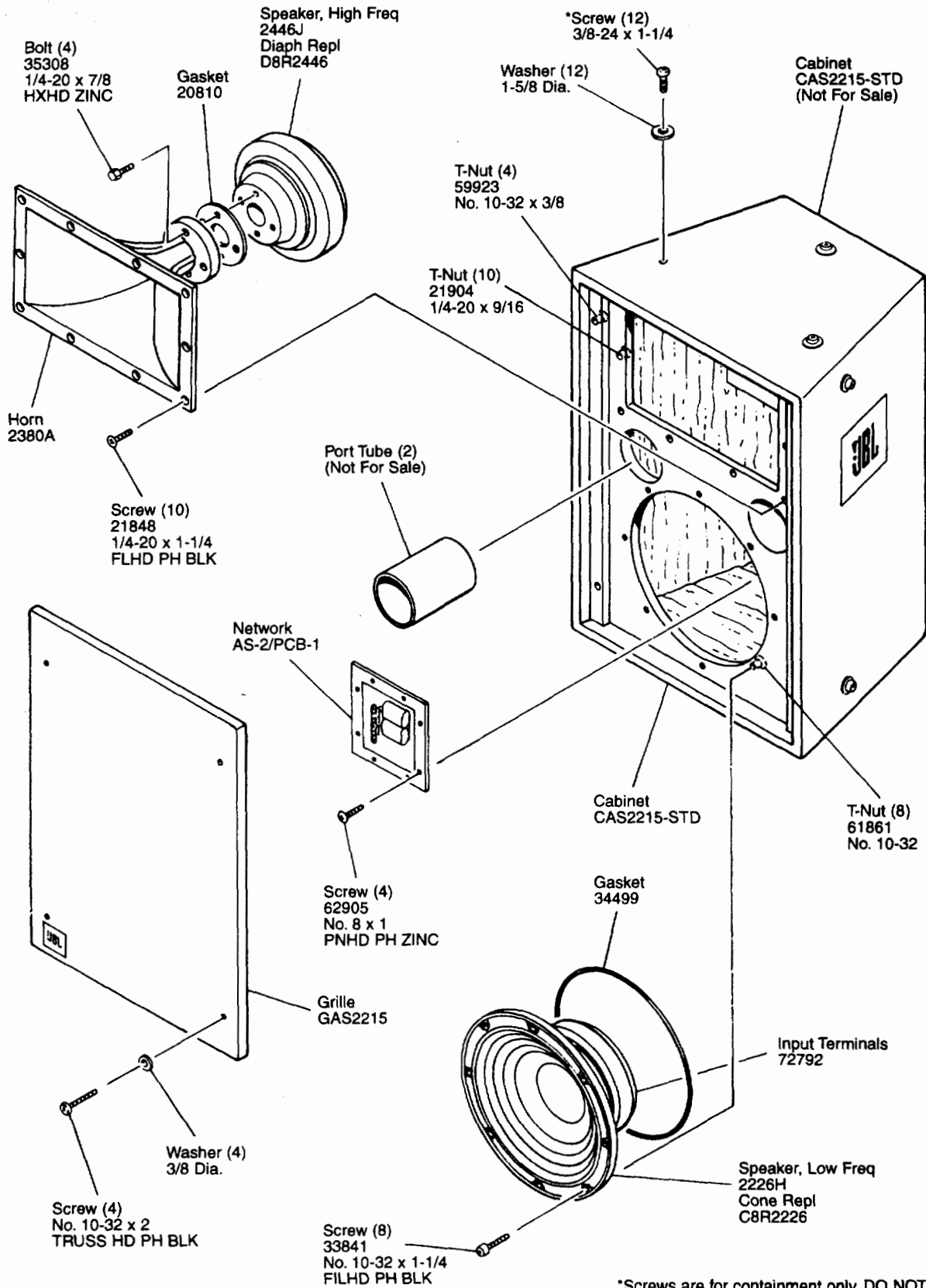


WIRING DIAGRAM



JBL AS2215-STD

COMPONENT EXPLODED VIEW



*Screws are for containment only. DO NOT use for rigging or fastening external hardware.

JBL AS2215-STD