

Technical Manual

JBL AS4722ANW



SPECIFICATIONS

ACOUSTIC & ELECTRICAL SPECIFICATIONS:

- Nominal Impedance: 8 ohm
- Power Capacity: 600W
- Frequency Range: 50 Hz to 20 kHz (-10dB)
- Sensitivity: 98 dB SPL*
- Crossover Frequency: 1.2 kHz

SYSTEM COMPONENTS:

- Cabinet: CAS4722ANW
- Grille: GAS4722
- Low Frequency Transducer: 305mm (12 in.) Paper Cone Transducer (2206H)
- DC Resistance: 5.3 ohm $\pm 10\%$ Aluminum Wire

SYSTEM COMPONENTS: (cont'd)

- High Frequency Transducer: 25mm (1 in. Exit) Pure Titanium Compression Driver (2417H)
- DC Resistance: 3.2 ohm $\pm 8\%$ Aluminum Wire
- Crossover Network: (75963)

AURAL SWEEP TEST SPECIFICATIONS:

- A. System Aural Sweep Test: 7.0V Input, 20 Hz to 20 kHz
- B. L.F. Aural Sweep Test: 15.0V Input, 20 Hz to 1.2 kHz
- C. H.F. Aural Sweep Test: 2.0V Input, 550 Hz to 20 kHz

PHYSICAL SPECIFICATIONS:

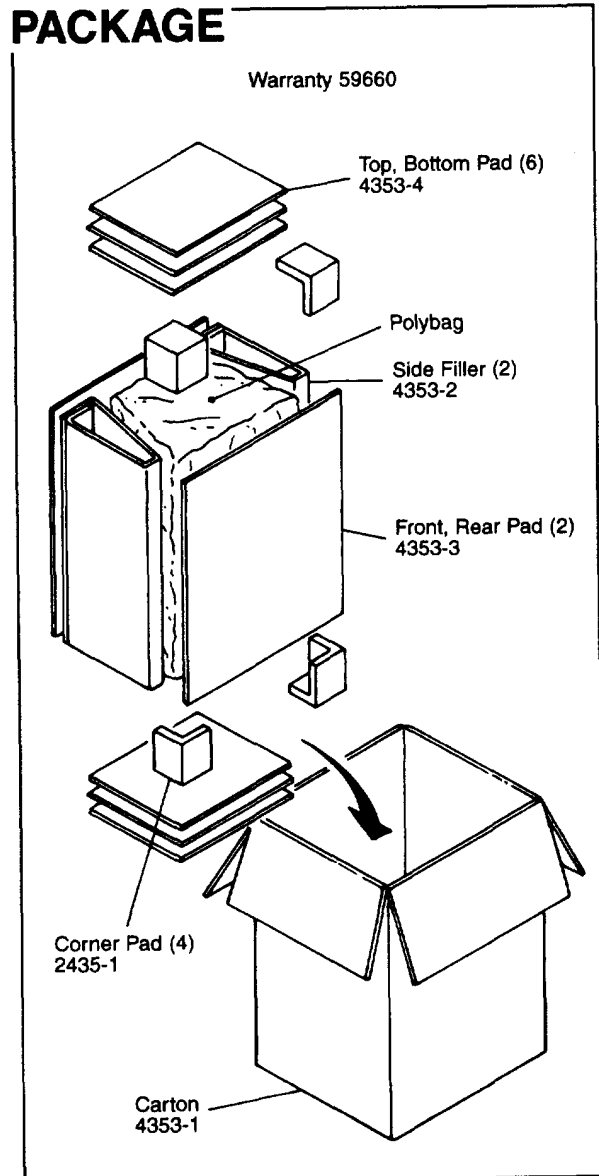
- Enclosure Dimensions: 686mm x 492mm x 330mm D (27.0 x 19.37 x 13.0 in. D)
- Shipping Weight: 64 lbs. (29.0 kg.)

WARRANTY INFORMATION:

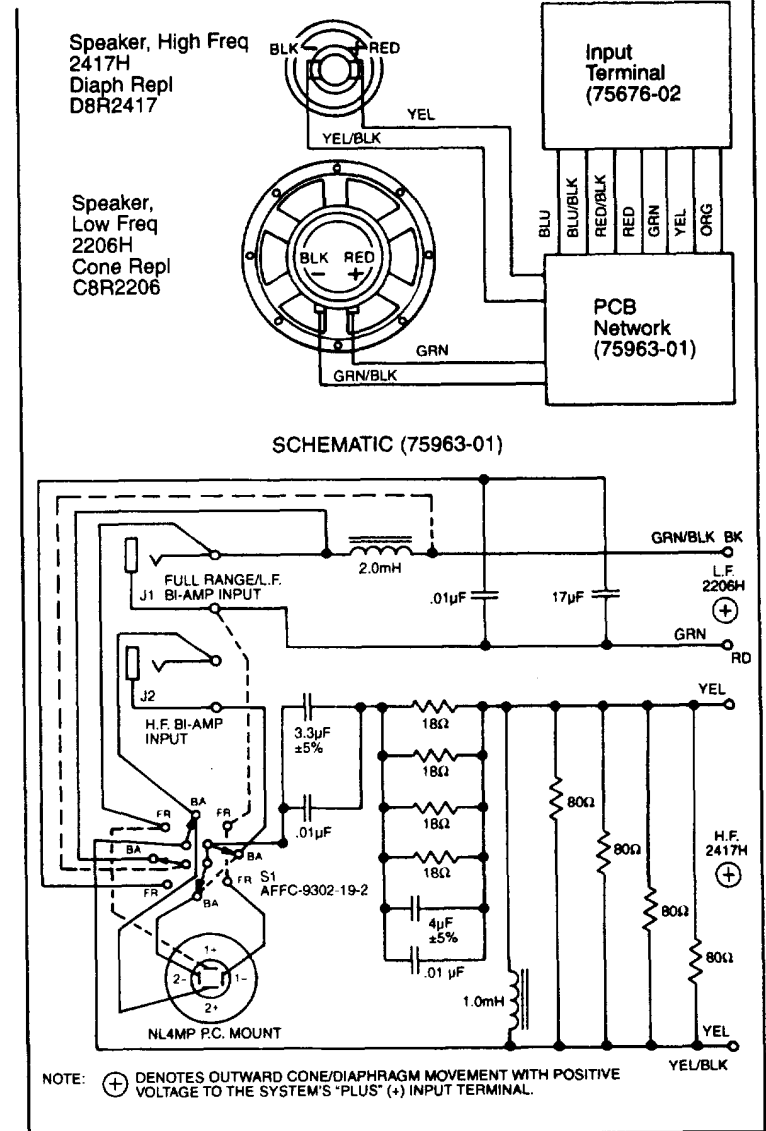
- Refer to Warranty Statement packed with each product.

*1 Watt (2.83 V RMS) @ 1 Meter

PACKAGE



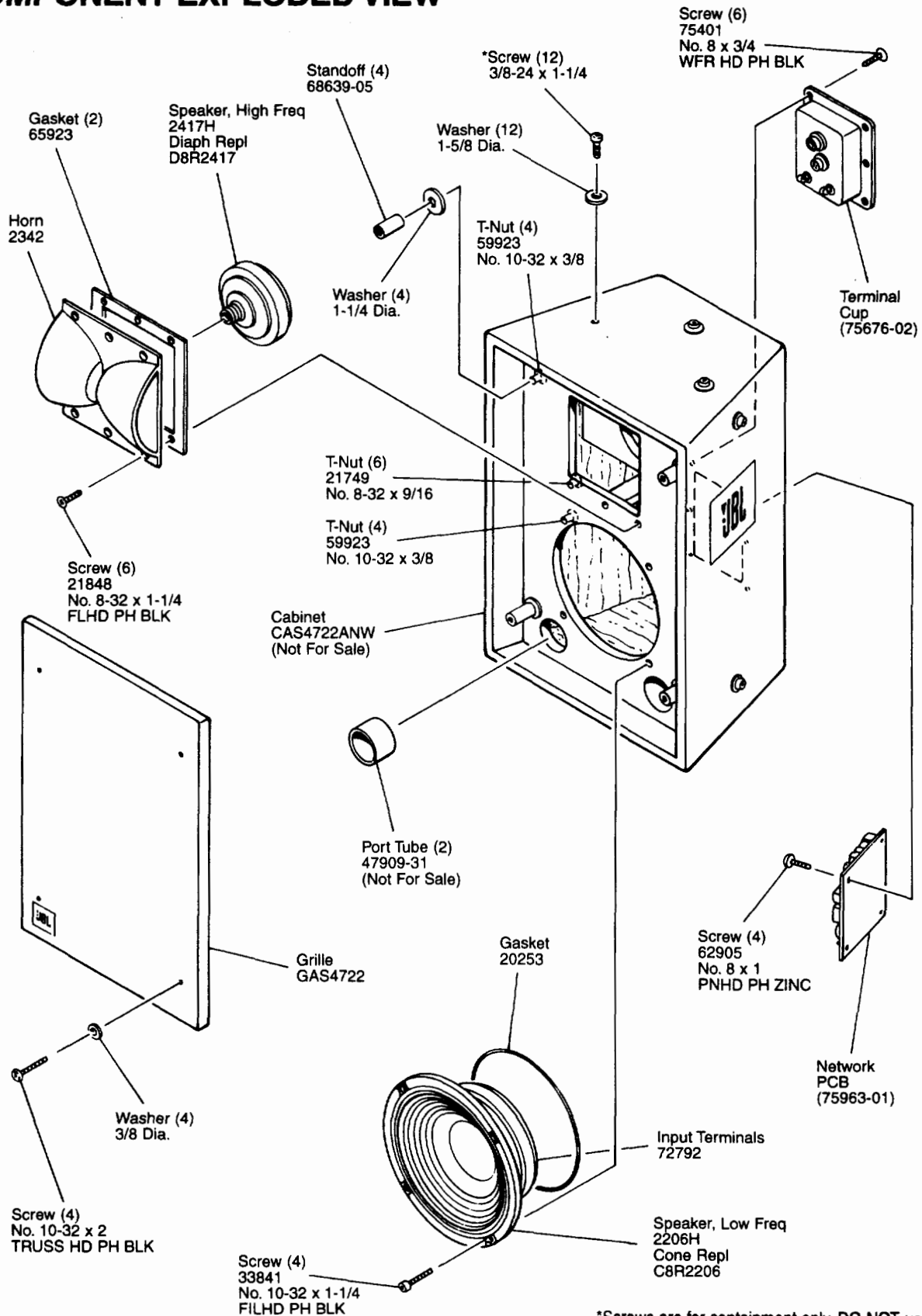
WIRING DIAGRAM



JBL AS4722ANW REV A

JBL AS4722ANW

COMPONENT EXPLODED VIEW



*Screws are for containment only. DO NOT use for rigging or fastening external hardware.

JBL AS4722ANW