

Technical Manual



JBL AS4725ANW

SPECIFICATIONS

ACOUSTIC & ELECTRICAL SPECIFICATIONS:

- Nominal Impedance: 8 ohm
- Power Capacity: 600W Continuous Pink Noise
- Frequency Range: 35 Hz to 18 kHz (-10dB)
- Sensitivity: 97 dB SPL*
- Crossover Frequency: 1.1 kHz

SYSTEM COMPONENTS:

- Cabinet: CAS4725ANW
- Grille: GAS4725
- Low Frequency Transducer: 380mm (15 in.) Paper Cone Transducer (2226H)
- DC Resistance: 5.0 ohm ±10% Aluminum Wire

SYSTEM COMPONENTS: (cont'd)

- High Frequency Transducer: 25mm (1 in. Exit) Pure Titanium Compression Driver (2426H)
- DC Resistance: 3.2 ohm ±8% Aluminum Wire
- Crossover Network: (75964)

AURAL SWEEP TEST SPECIFICATIONS:

- A. System Aural Sweep Test: 7.0V Input, 20 Hz to 20 kHz
- B. L.F. Aural Sweep Test: 14.5V Input, 20 Hz to 1.2 kHz
- C. H.F. Aural Sweep Test: 2.0V Input, 550 Hz to 20 kHz

PHYSICAL SPECIFICATIONS:

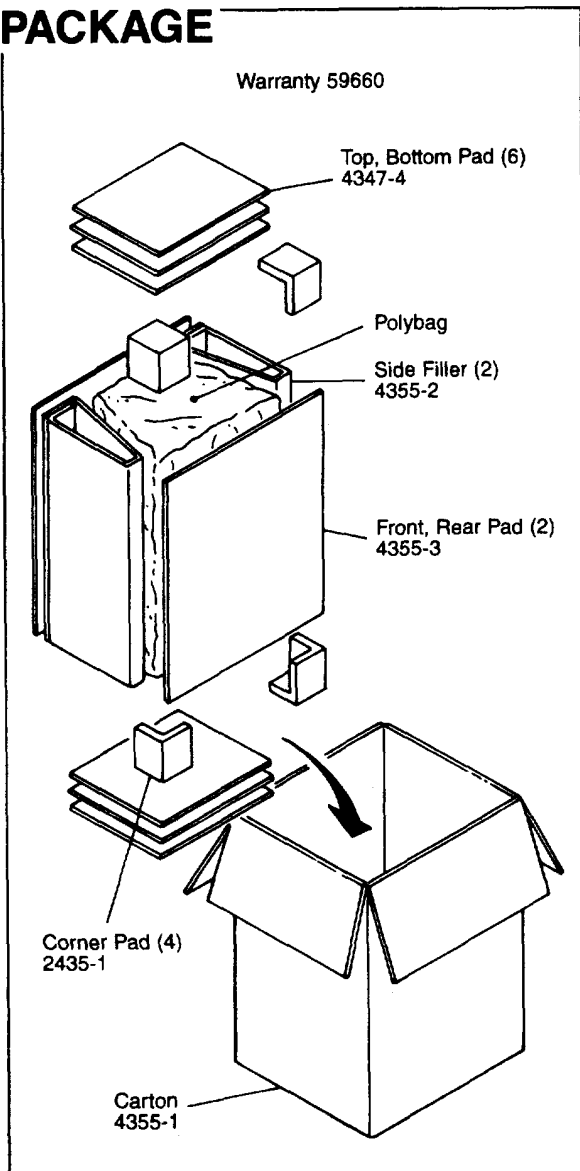
- Enclosure Dimensions: 737mm x 603mm x 438mm D (29.0 x 23.75 x 17.25 in. D)
- Shipping Weight: 95 lbs. (43.1 kg.)

WARRANTY INFORMATION:

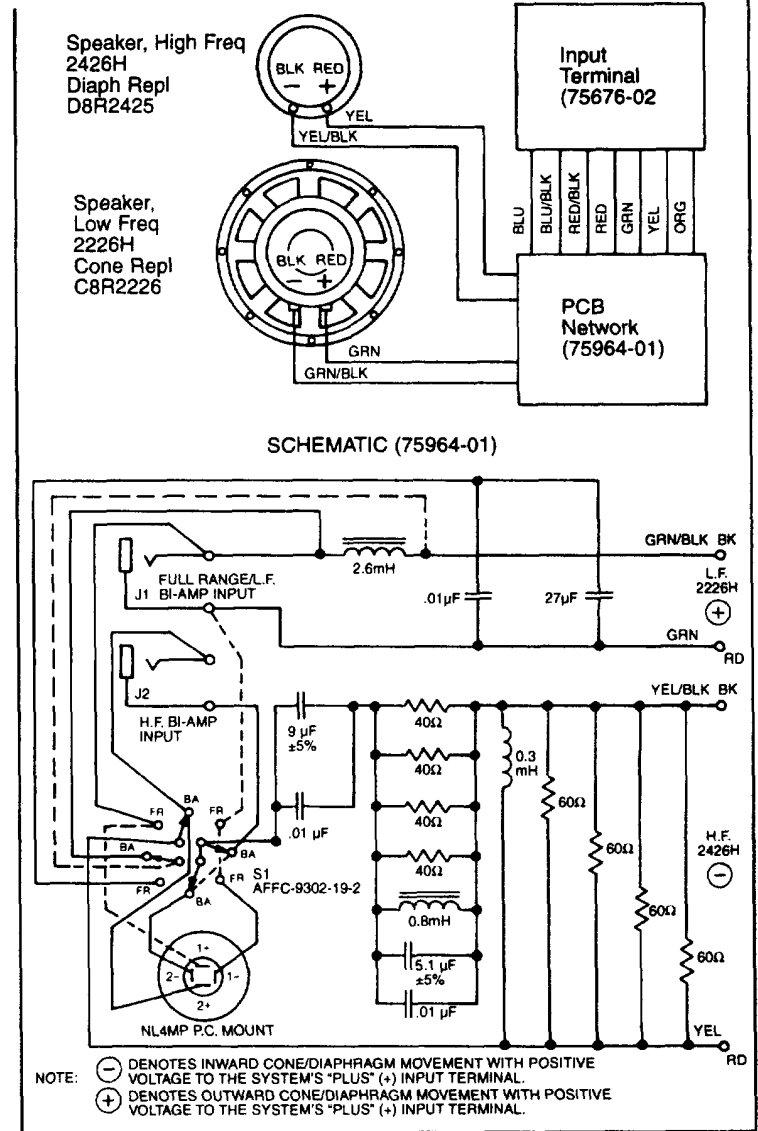
- Refer to Warranty Statement packed with each product.

*1 Watt (2.83 V RMS) @ 1 Meter

PACKAGE



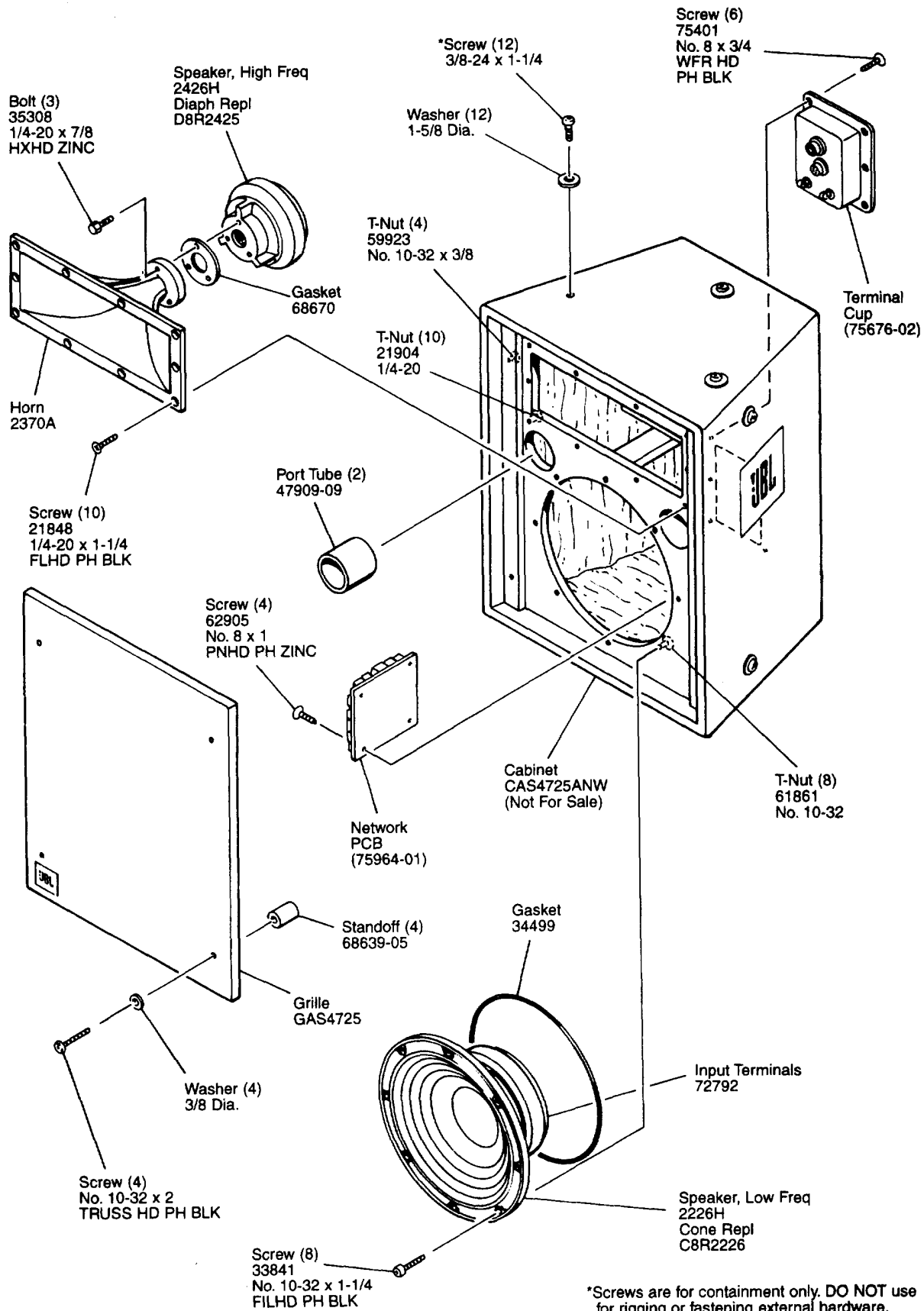
WIRING DIAGRAM



JBL AS4725ANW REV A

JBL AS4725ANW

COMPONENT EXPLODED VIEW



*Screws are for containment only. DO NOT use for rigging or fastening external hardware.

JBL AS4725ANW