

Technical Manual

JBL CD5525



SPECIFICATIONS

ACOUSTIC & ELECTRICAL SPECIFICATIONS:

- Nominal Impedance: 8 ohm
- Power Capacity: 600W Continuous Pink Noise
- Frequency Range: 50 Hz to 20 kHz (-10 dB)
- Sensitivity: 98 dB SPL*
- Crossover Frequency: 1.2 kHz

SYSTEM COMPONENTS:

- Cabinet: CD5525-01
- Grille: Kick Screen
- Low Frequency Transducer: 300mm (12 in.) Cone Transducer (2206H)
- DC Resistance: 5.3 ohm ±10% Aluminum Wire

*1 Watt (2.83 V RMS) @ 1 Meter

SYSTEM COMPONENTS: (cont'd)

- High Frequency Transducer: 25mm (1 in.) Pure Titanium Compression Driver (2416H)
- DC Resistance: 3.2 ohm ±8% Aluminum Wire
- Crossover Network: NCD5525-02

AURAL SWEEP TEST SPECIFICATIONS:

- A. System Aural Sweep Test: 7.0V Input, 20 Hz to 20 kHz
- B. L.F. Aural Sweep Test: 10.0V Input, 20 Hz to 1.2 kHz
- C. H.F. Aural Sweep Test: 2.83V Input, 550 Hz to 1.2 kHz

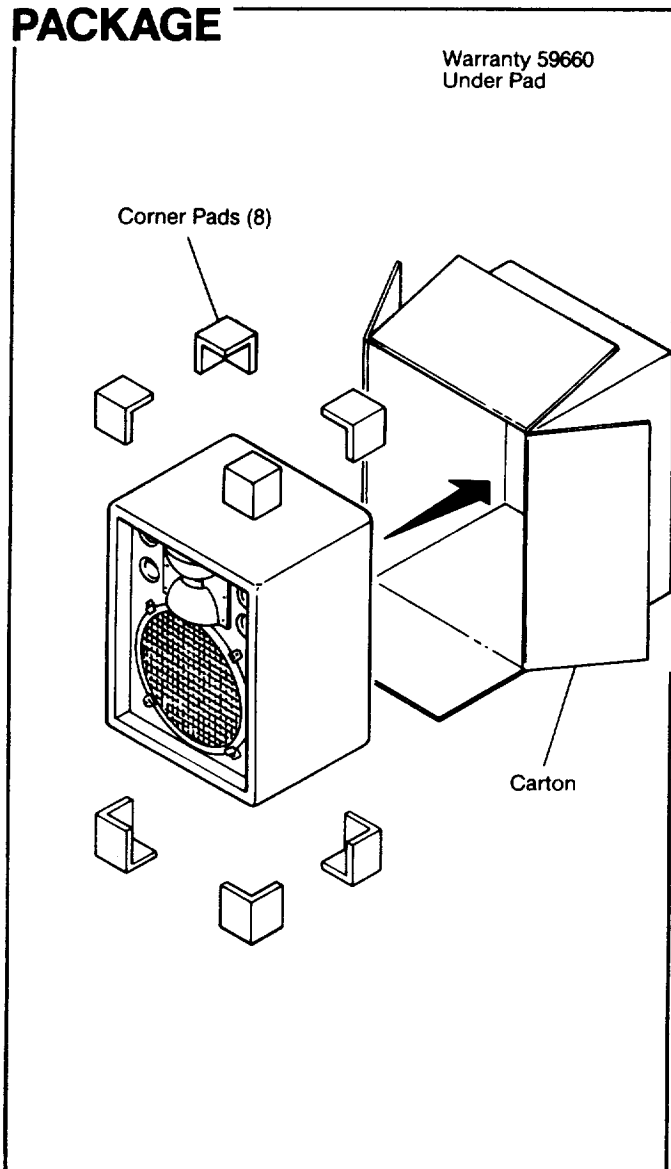
PHYSICAL SPECIFICATIONS:

- Enclosure Dimensions: 559mm x 406mm x 305mm D (22.0 x 16.0 x 12.0 in. D)
- Shipping Weight: Not Available

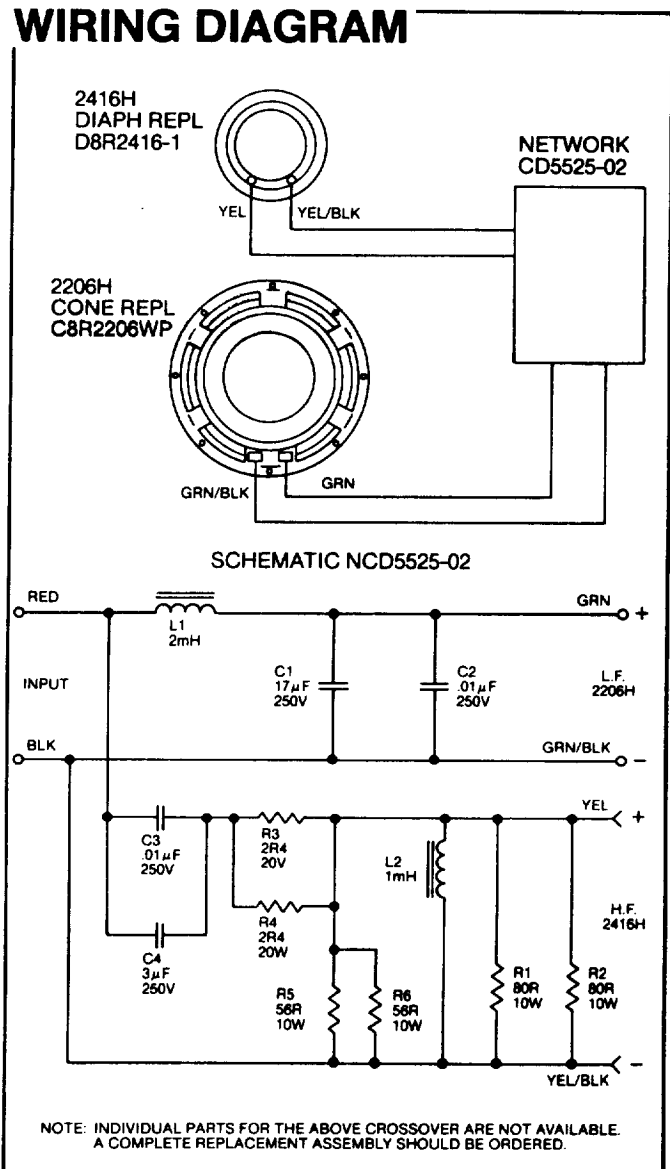
WARRANTY INFORMATION:

- Refer to the Warranty Statement packed with each product.

PACKAGE



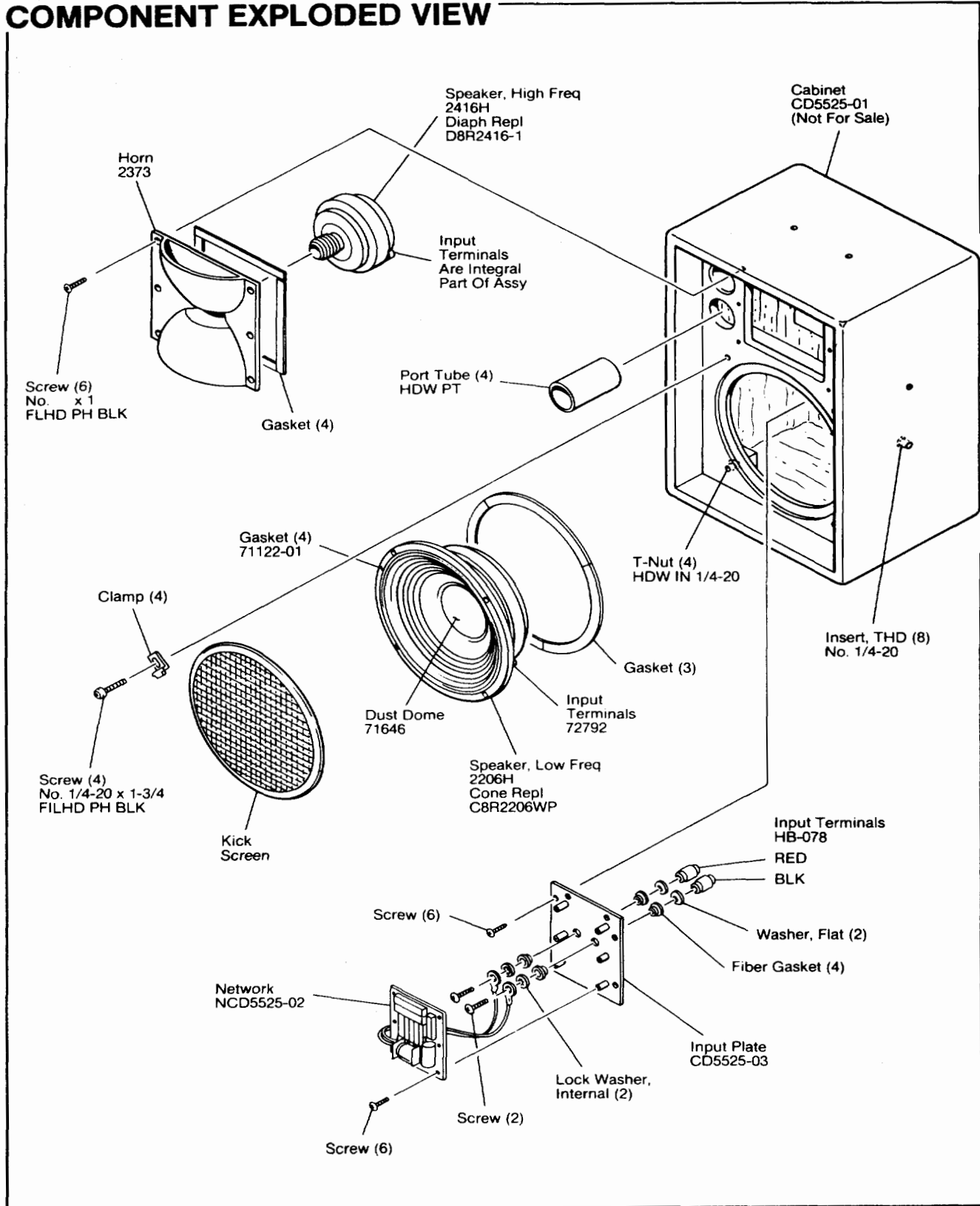
WIRING DIAGRAM



JBL CD5525 REV C

JBL CD5525

COMPONENT EXPLODED VIEW



JBL CD55258