

Technical Manual

JBL4890

SPECIFICATIONS



ACOUSTIC & ELECTRICAL SPECIFICATIONS:

- Nominal Impedance: 8 ohm
- Power Capacity: 600W Continuous Pink Noise
- Frequency Response: 70 Hz to 18 kHz (± 3 dB)
- Sensitivity: 98 dB SPL*
- Crossover Frequency:

SYSTEM COMPONENTS:

- Cabinet: C4890 (Not For Sale)
- Grille: 316585-001
- Low Frequency Transducer: 355mm (14 in.) 71850-01
- DC Resistance: 4.1 ohm $\pm 10\%$ Aluminum Wire
- High Frequency Transducer: 38mm (1-1/2 in.) Pure Titanium Diaphragm 74114X
- DC Resistance: 4.1 ohm $\pm 8\%$ Aluminum Wire

SYSTEM COMPONENTS: (cont'd)

- Crossover Network:

AURAL SWEEP TEST SPECIFICATIONS:

- A. System Aural Sweep Test:
- B. L.F. Aural Sweep Test: 7.0V Input, 20 Hz to 1.2 kHz
- C. H.F. Aural Sweep Test: 3.5V Input, 550 Hz to 20 kHz

PHYSICAL SPECIFICATIONS:

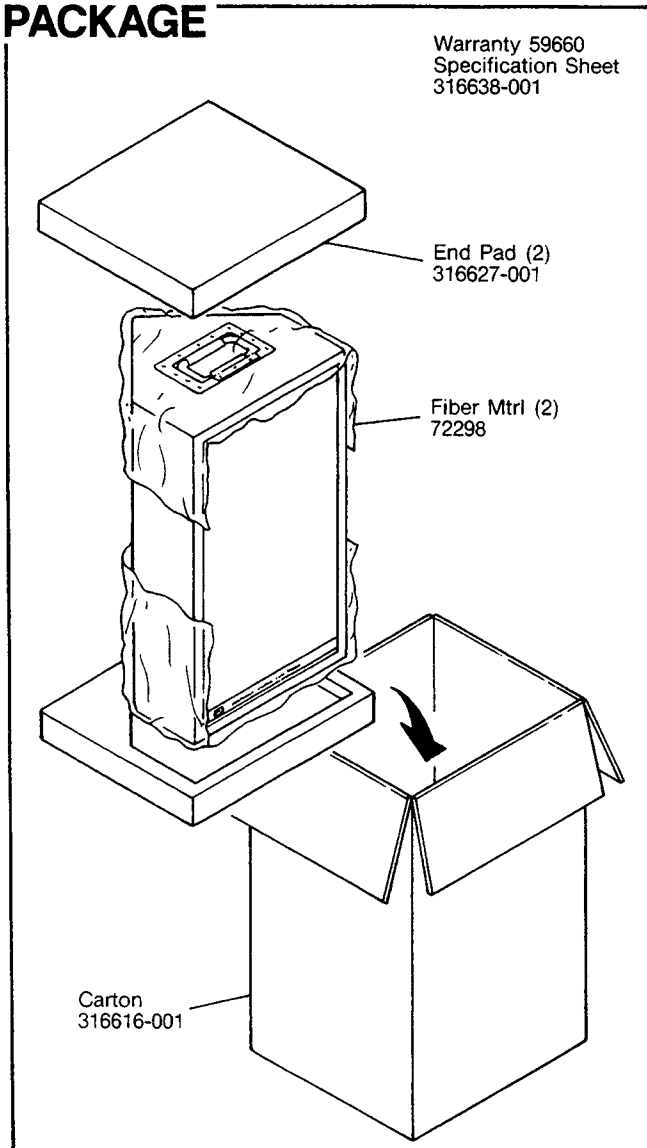
- Enclosure Dimensions: 376mm x 686mm x 376mm D (14.8 x 27 x 14.8 in. D)
- Shipping Weight: 75 lbs. (34 kg.)

WARRANTY INFORMATION:

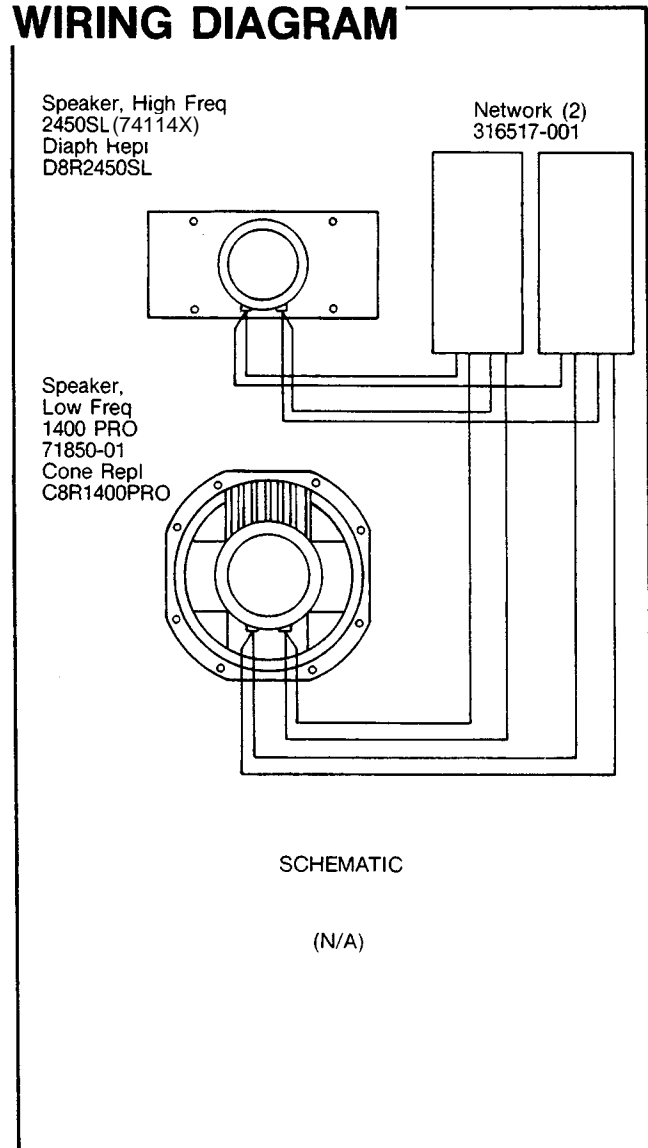
- Refer to the Warranty Statement packed with each product.

*1 Watt (2.83 V RMS) @ 1 Meter

PACKAGE

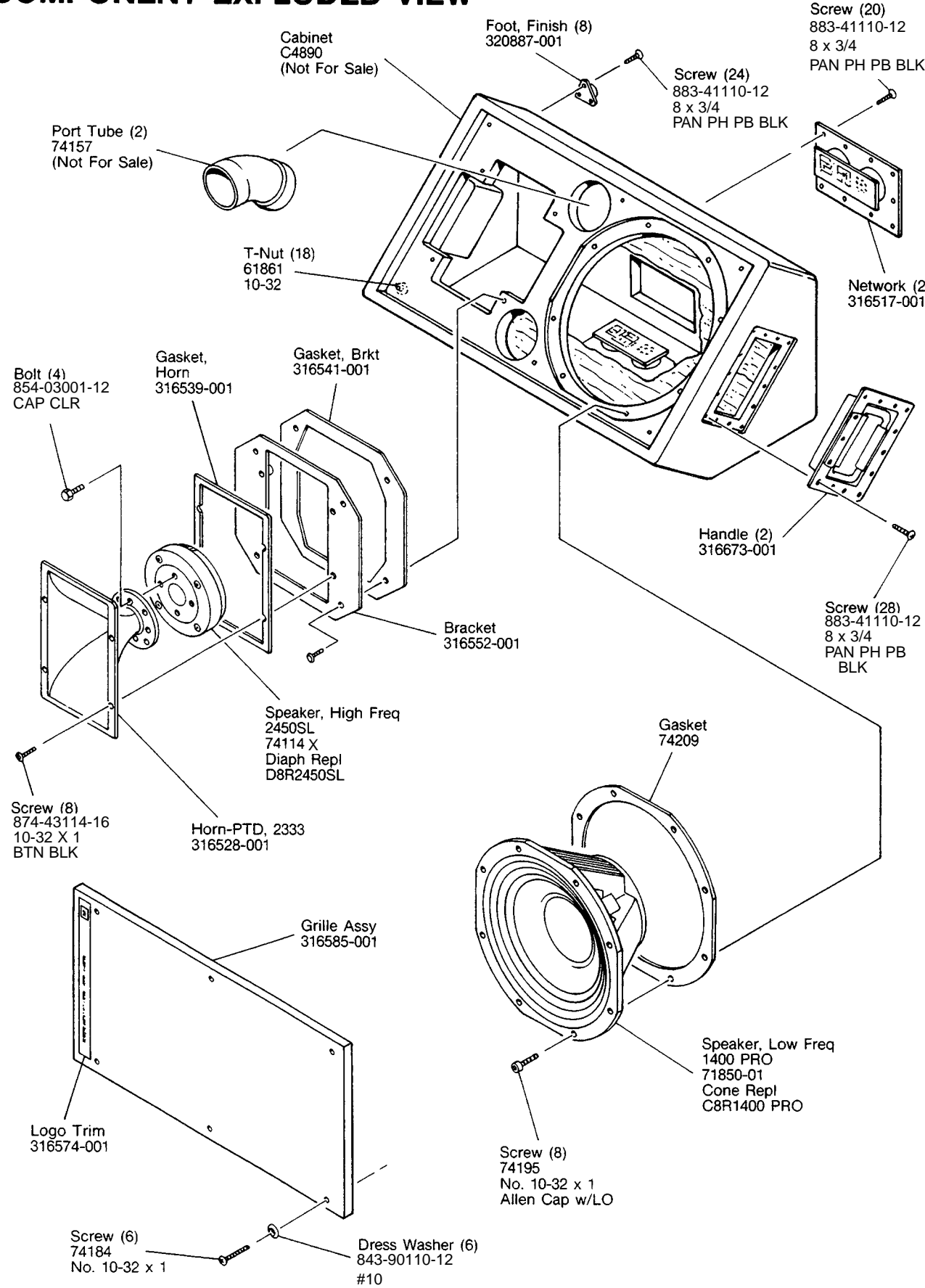


WIRING DIAGRAM



JBL4890

COMPONENT EXPLODED VIEW



JBL4890