

# Technical Manual

# JBL4891

## SPECIFICATIONS



### ACOUSTIC & ELECTRICAL SPECIFICATIONS:

- Nominal Impedance: 8 ohm
- Power Capacity: 600W Continuous Pink Noise
- Frequency Response: 70 Hz to 18 kHz ( $\pm 3$  dB)
- Sensitivity: 98 dB SPL\*
- Crossover Frequency:

### SYSTEM COMPONENTS:

- Cabinet: C4891 (Not For Sale)
- Grille: 316585-002
- Low Frequency Transducer: 355mm (14 in.) 71850-01
- DC Resistance: 4.1 ohm  $\pm 10\%$  Aluminum Wire
- High Frequency Transducer: 38mm (1-1/2 in.) Pure Titanium Diaphragm 74114X
- DC Resistance: 4.1 ohm  $\pm 8\%$  Aluminum wire

### SYSTEM COMPONENTS: (cont'd)

- Crossover Network:

### AURAL SWEEP TEST SPECIFICATIONS:

- A. System Aural Sweep Test:
- B. L.F. Aural Sweep Test: 7.0V Input, 20 Hz to 1.2 kHz
- C. H.F. Aural Sweep Test: 3.5V Input, 550 Hz to 20 kHz

### PHYSICAL SPECIFICATIONS:

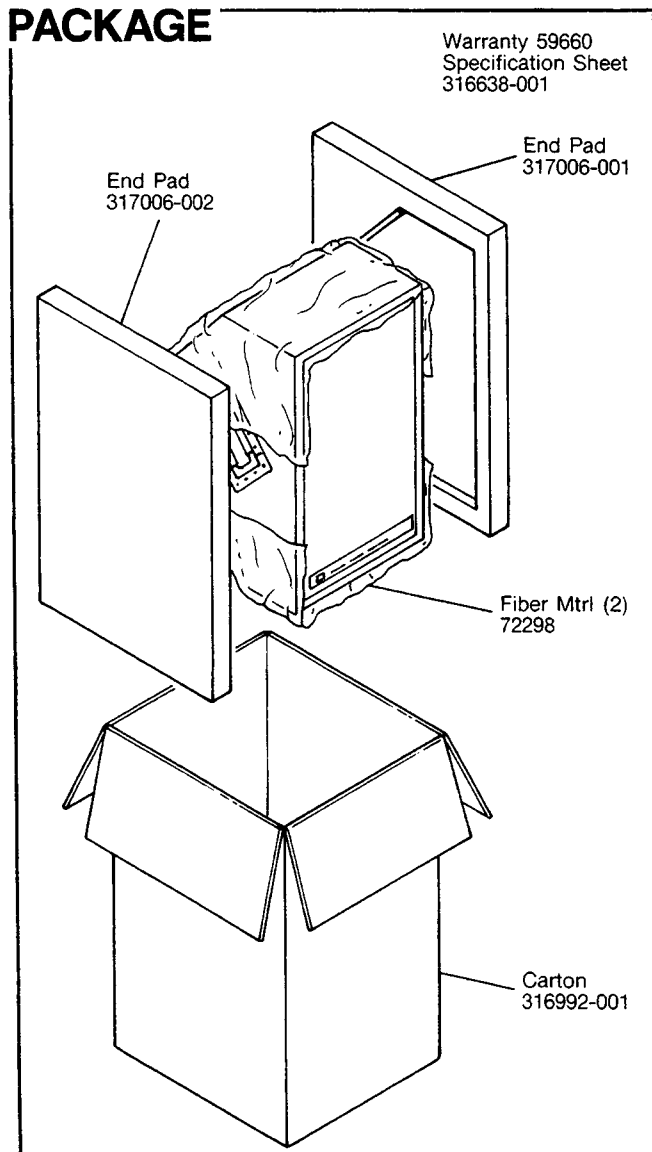
- Enclosure Dimensions: 470mm x 394mm x 559mm D (18.5 x 15.5 x 22.0 in. D)
- Shipping Weight: 75 lbs. (34 kg.)

### WARRANTY INFORMATION:

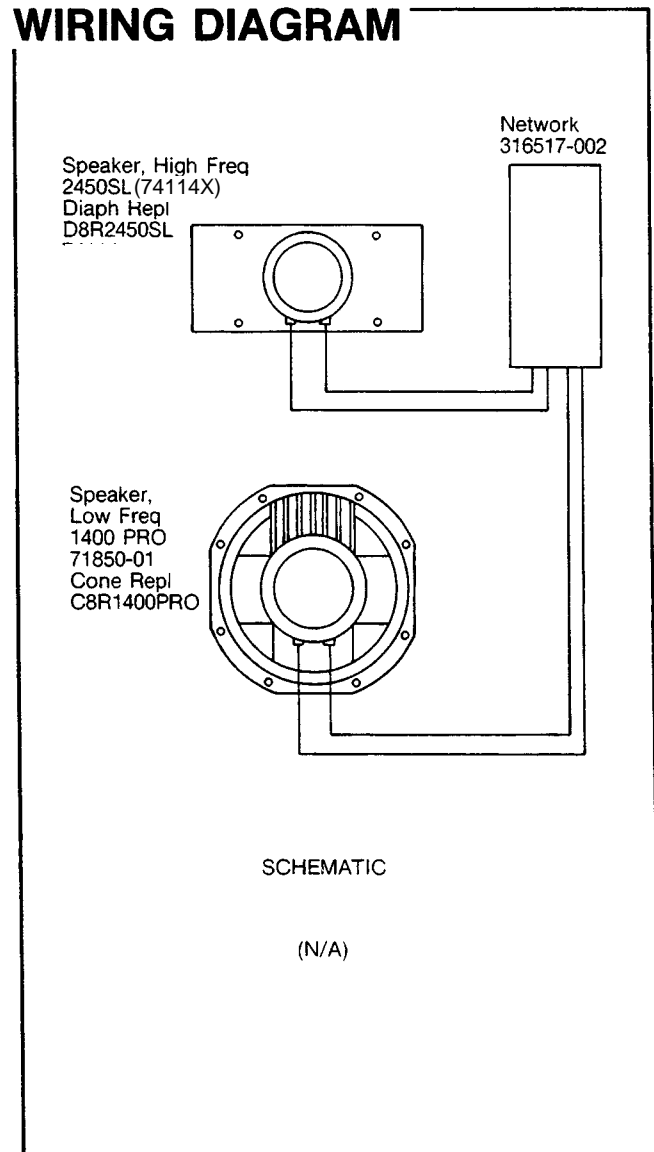
- Refer to the Warranty Statement packed with each product.

\*1 Watt (2.83 V RMS) @ 1 Meter

## PACKAGE



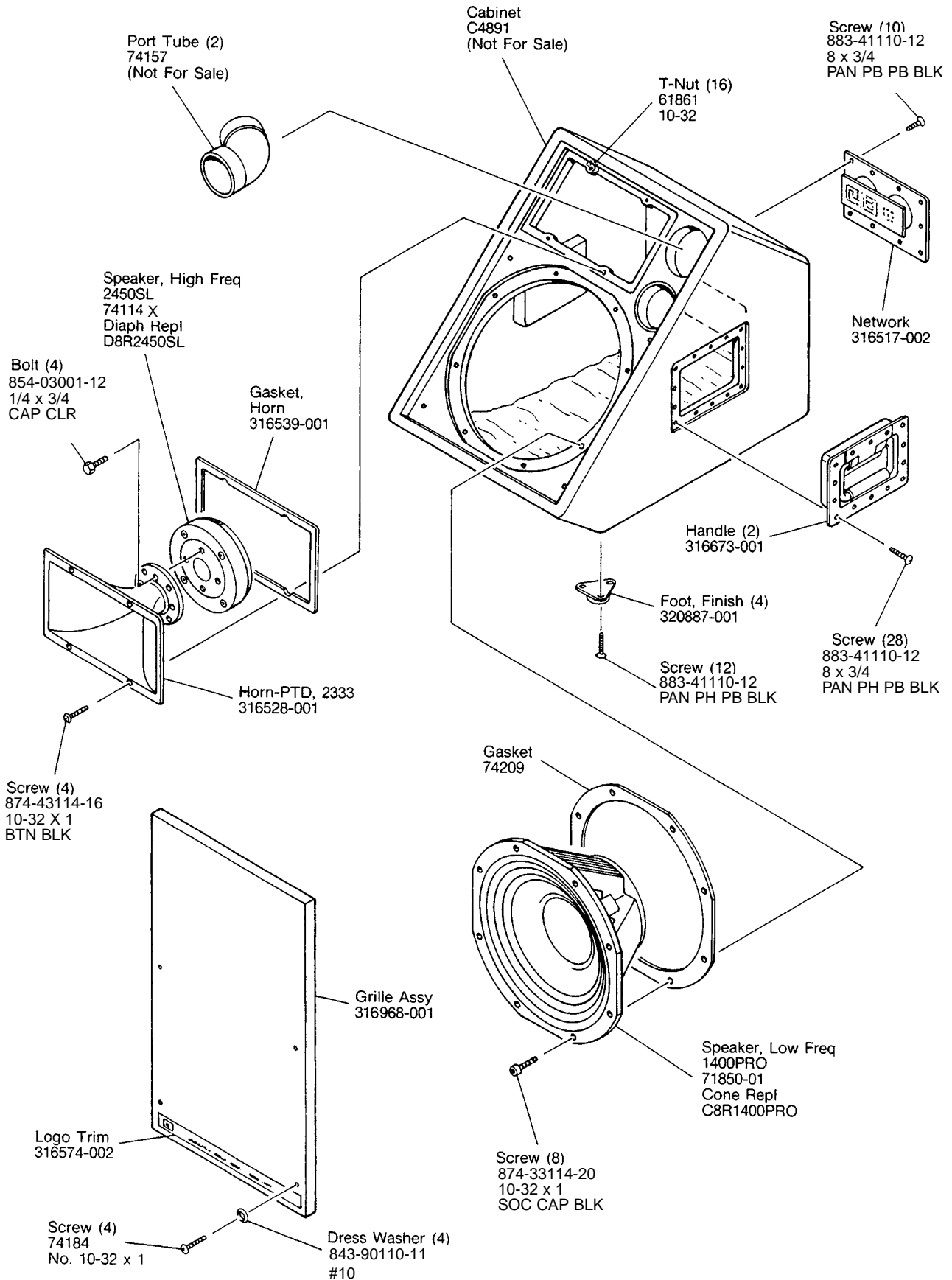
## WIRING DIAGRAM



JBL4891 REV E

# JBL4891

## COMPONENT EXPLODED VIEW



JBL4891