

Technical Manual

JBL4892

SPECIFICATIONS



ACOUSTIC & ELECTRICAL SPECIFICATIONS:

- Nominal Impedance: 8 ohm
- Power Capacity: High Freq - 200W @ 8 ohm
Low Freq - 600W @ 8 ohm
- Frequency Range: 50 Hz to 18 kHz (± 3 dB)
- Sensitivity: 98 dB SPL*
- Crossover Frequencies: N/A

SYSTEM COMPONENTS:

- Cabinet: C4892
- Grille: G4892 (74175)
- Low Frequency Transducer: 355mm (14 in.) Cone Transducer (1400 PRO)
- DC Resistance: 4.1 ohm $\pm 10\%$ Aluminum Wire

*1 Watt (2.83 V RMS) @ 1 Meter

SYSTEM COMPONENTS (cont'd)

- High Frequency Transducer: 100mm (4 in.) Pure Titanium Diaphragm (M/I 2450SL)
- DC Resistance: 4.1 ohm $\pm 8\%$ Aluminum Wire
- Crossover Network: 74146

AURAL SWEEP TEST SPECIFICATIONS:

- A. System Aural Sweep Test: 7.0V Input, 20 Hz to 18 kHz
- B. L.F. Aural Sweep Test: 7.0V Input, 20 Hz to 1.2 kHz
- C. H.F. Aural Sweep Test: 2.83V Input, 1 kHz to 18 kHz

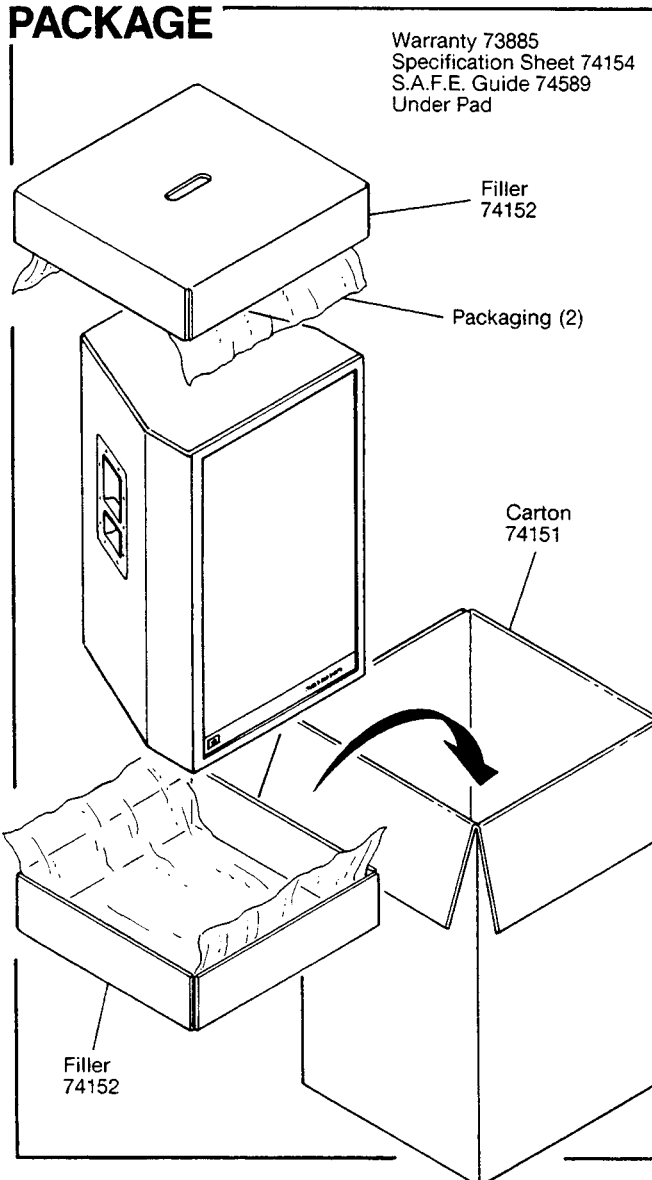
PHYSICAL SPECIFICATIONS:

- Enclosure Dimensions: 616mm x 394mm x 362mm D (24.5 x 15.5 x 14.5 in. D)
- Shipping Weight: 72 lbs. (32.7 kg.)

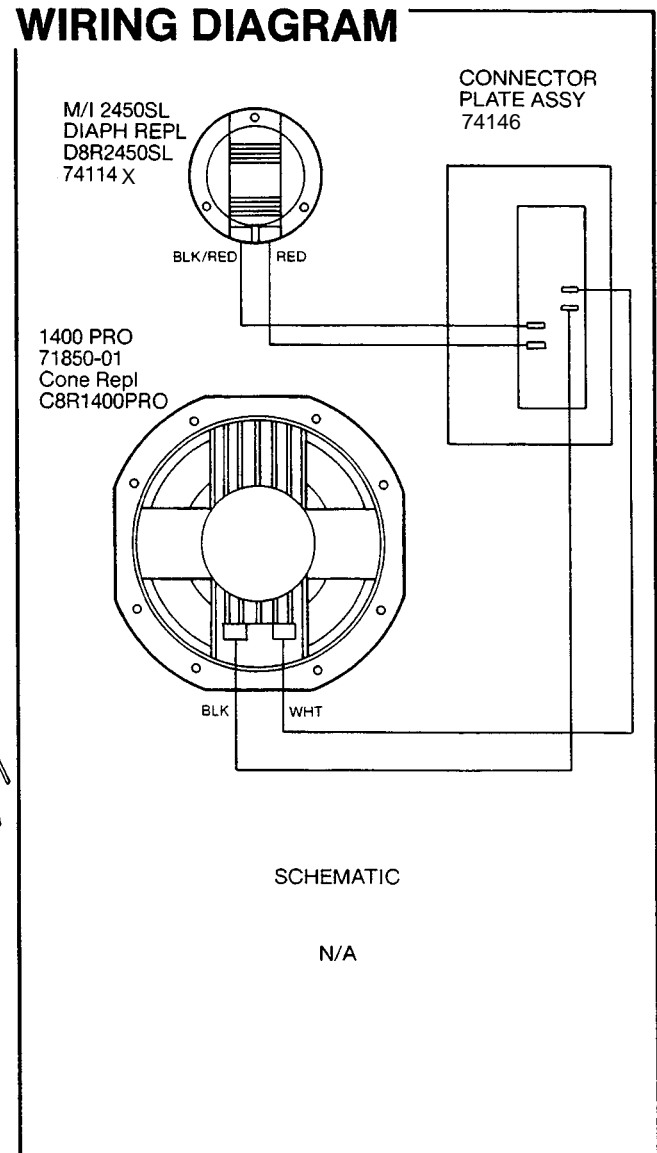
WARRANTY INFORMATION:

- Refer to the Warranty Statement packed with each product.

PACKAGE



WIRING DIAGRAM



JBL4892

COMPONENT EXPLODED VIEW

