

Technical Manual

JBL4893

SPECIFICATIONS



ACOUSTIC & ELECTRICAL SPECIFICATIONS

- Nominal Impedance: 8 ohm
- Power Capacity: 600W @ 8 ohm each transducer: 1200W total
- Frequency Range: 38 Hz to 400 Hz (± 3 dB)
- Sensitivity: 98 dB SPL*
- Crossover Frequencies: N/A

SYSTEM COMPONENTS:

- Cabinet: C4893
- Grille: G4893 (74706)
- Low Frequency Transducer: 355mm (14 in.) Cone Transducer (2217H)
- DC Resistance: 5.0 ohm $\pm 10\%$ Aluminum Wire
- Crossover Network: 74883

AURAL SWEEP TEST SPECIFICATIONS:

- A. System Aural Sweep Test: 7.0V Input, 20 Hz to 20 kHz
- B. L.F. Aural Sweep Test: 7.0V Input, 20 Hz to 1.2 kHz

PHYSICAL SPECIFICATIONS:

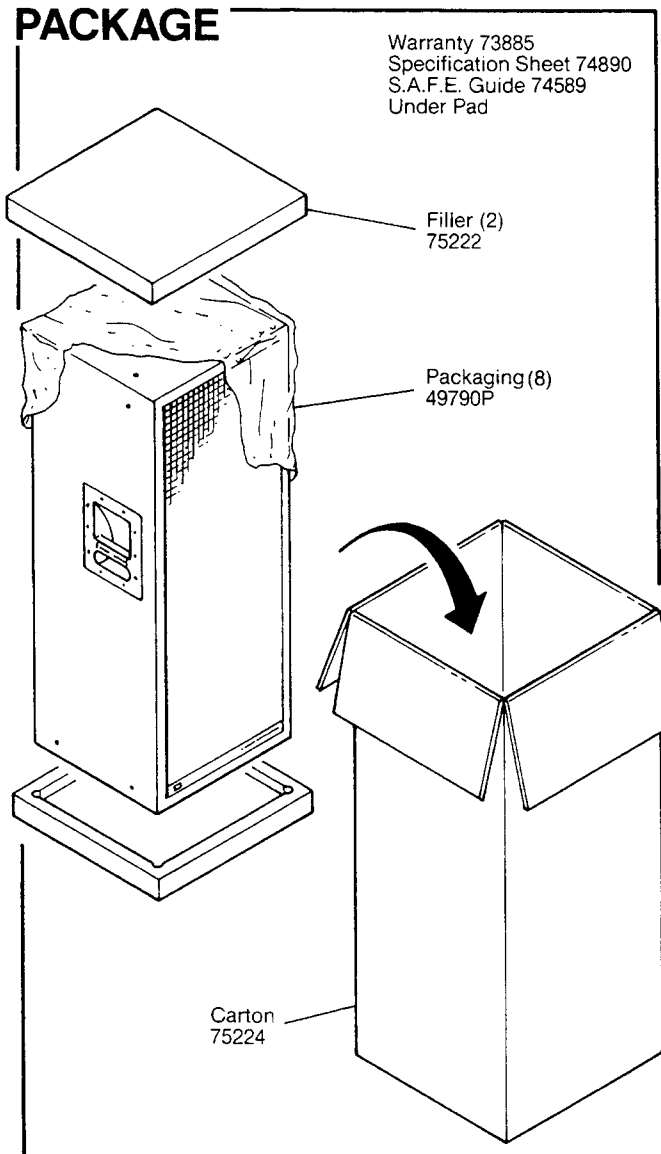
- Enclosure Dimensions: 1066mm x 394mm x 362mm D (42.0 x 15.6 x 14.25 in. D)
- Shipping Weight: 100 lbs. (45.6 kg.)

WARRANTY INFORMATION:

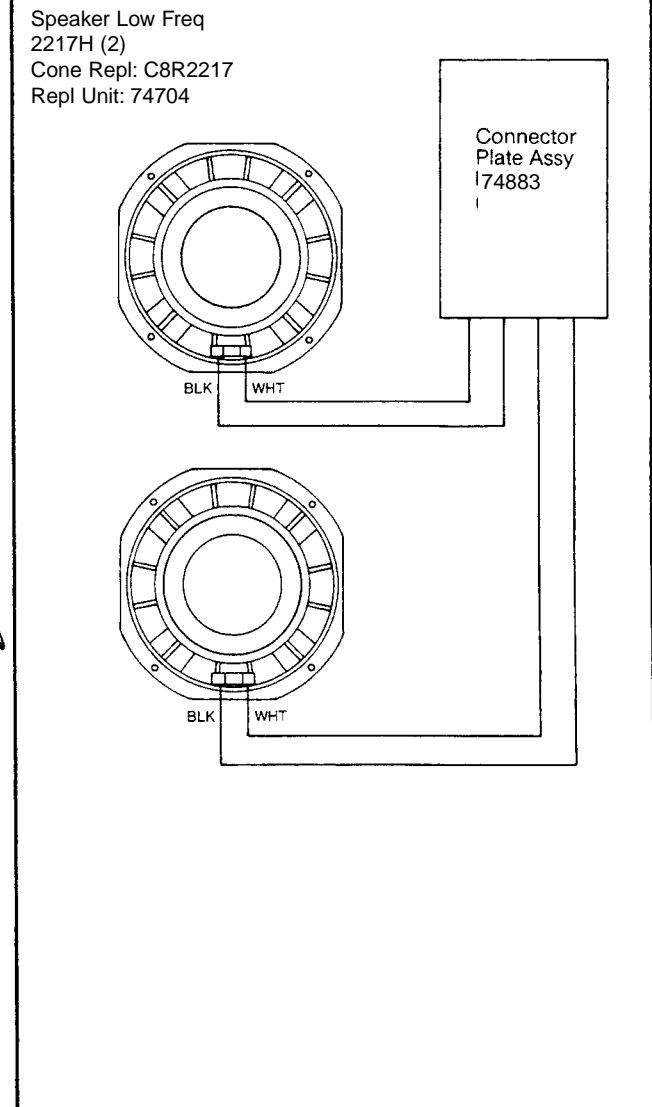
- Refer to the Warranty Statement packed with each product.

*1 Watt (2.83 V RMS) @ 1 Meter

PACKAGE

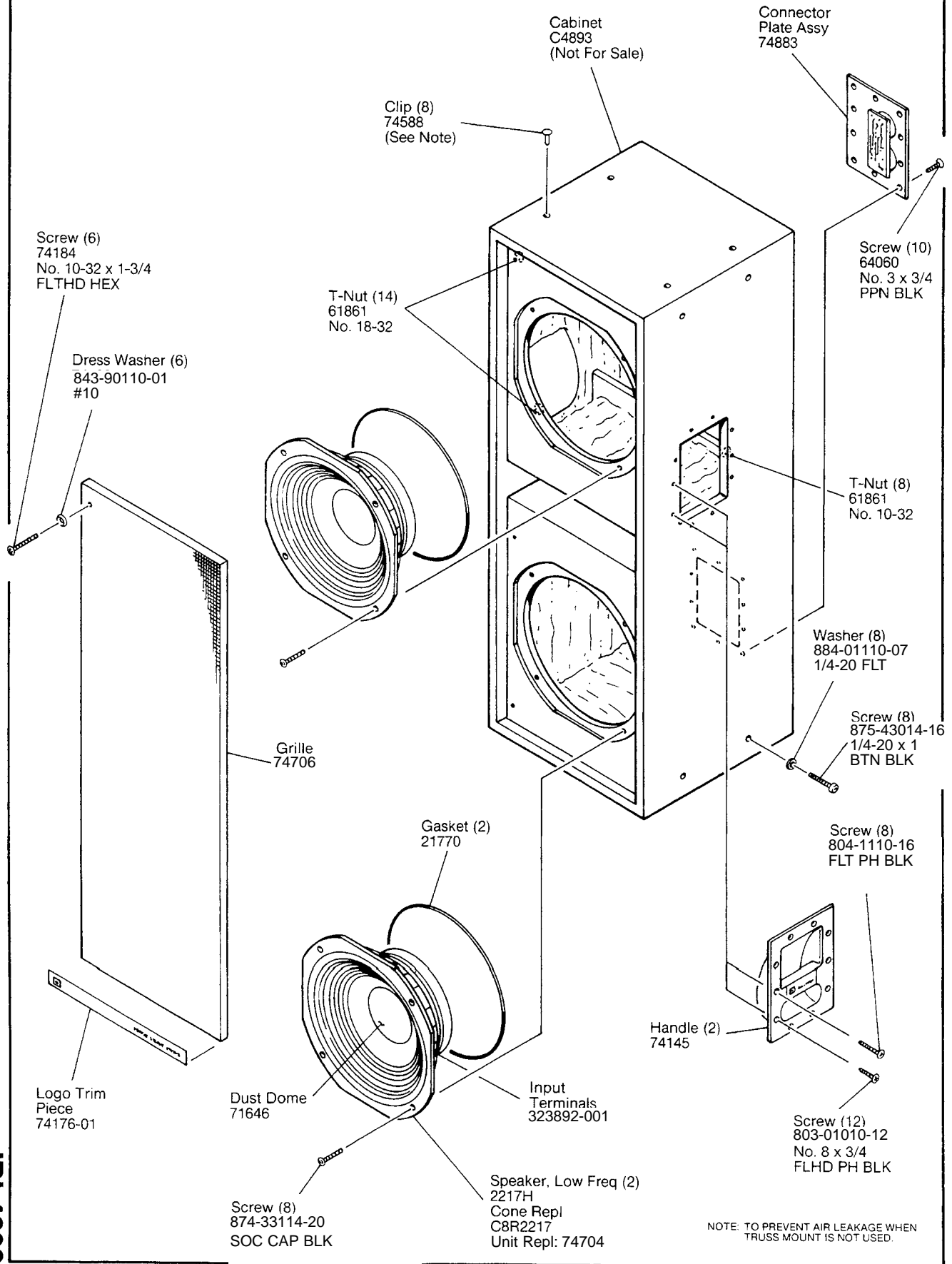


WIRING DIAGRAM



JBL4893

COMPONENT EXPLODED VIEW



JBL4893