

Technical Manual

CSS-1S/T

SPECIFICATIONS



ACOUSTIC & ELECTRICAL SPECIFICATIONS:

- Frequency Range (-10 dB): 85 Hz – 18 kHz
- Frequency Range (+/- 3 dB): 120 Hz – 16 kHz
- Maximum SPL Output: 106 dB at 8 ohm direct setting; 96 dB at 10 W setting.
- Nominal Impedance: 8 ohms (in DIRECT mode, selectable on back panel).
- Power Capacity: 60 W.
- Transformer Taps: 10 W, 5 W (& 2.5 W at 70 V).

SYSTEM COMPONENTS:

- Grille: 5057507 (Black); 5057496 (Gray)
- Low frequency driver: 135 mm (5.25 in)

SYSTEM COMPONENTS: (CONT'D)

- High Frequency Driver: 19 mm (0.75 in) polycarbonate dome tweeter.

AURAL SWEEP TEST SPECIFICATIONS:

- A. System Aural Sweep Test: 7 V Input, 60 Hz to 20 kHz

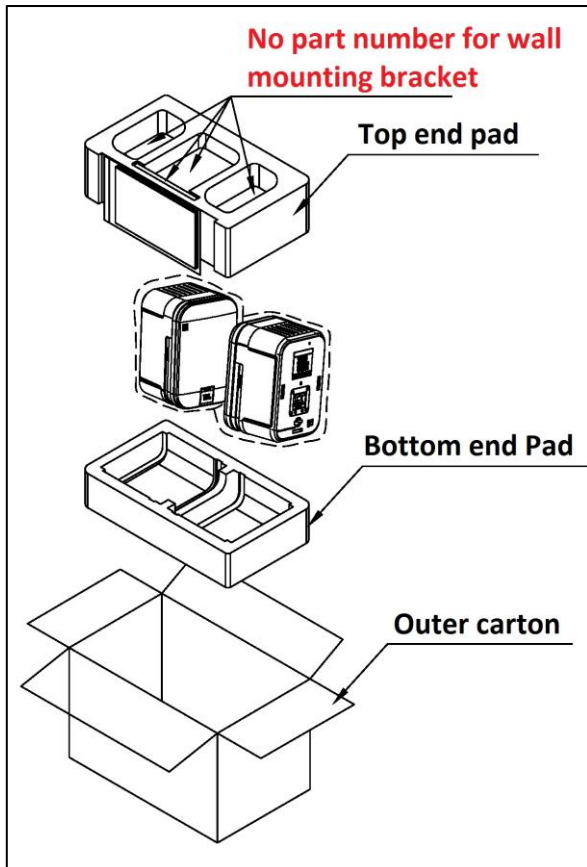
PHYSICAL SPECIFICATIONS:

- Dimensions: 229 X 159 X143 mm (9.0 X 6.3 X 5.6 in).
- Net Weight: 2.0 kg (4.5 lb.)

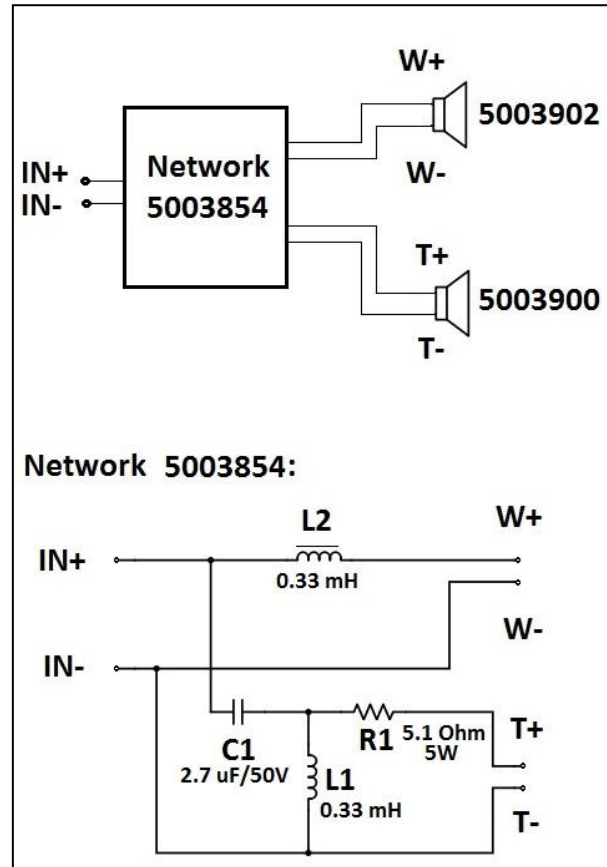
WARRANTY INFORMATION:

- Refer to Warranty Statement packed with each product.

PACKAGING:

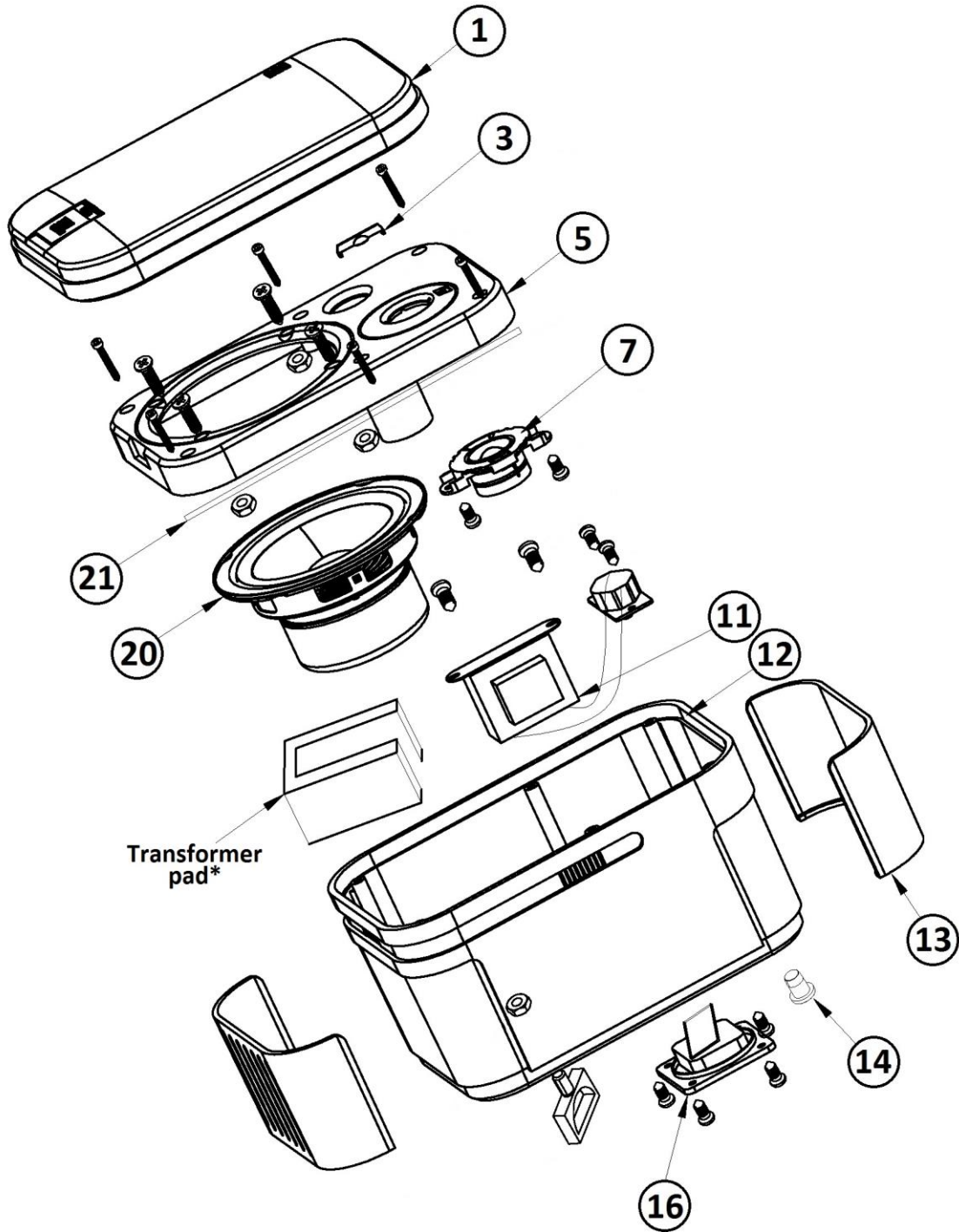


WIRING DIAGRAM:



CONTROL CSS-1S/T

EXPLODED VIEW:



Item	Part Number	Description	Qty.
1	5003858	GRILLE	1
3	5003901	TWEETER LENS	1
5	5003851	BAFFLE	1
7	5003900	TWEETER	1
11	5003899	TRANSFORMER	1
12	5003857	ENCLOSURE	1

Item	Part Number	Description	Qty.
13	5003853	CABINET PADS	2
16	5003854	NETWORK	1
14	5003903	TRANSFORMER TAP PLUG	1
20	5003902	WOOFER	1

* Part no available for sale