

Technical Manual

JBL CAB25



SPECIFICATIONS

ACOUSTIC & ELECTRICAL SPECIFICATIONS:

- Nominal Impedance: 8 ohm
- Power Capacity: Continuous Pink Noise: 225W
Peak Pink Noise: 900W
- Frequency Range: 50 Hz to 16 kHz (-10dB)
- Sensitivity: 99 dB SPL*
- Crossover Frequency: 2.2 kHz

SYSTEM COMPONENTS:

- Cabinet: CCAB25
- Grille: GCAB125 (330713-001)
- Low Frequency Transducer: 380mm (15 in.) Cone Transducer (124-67001-00X)
- DC Resistance: 5.1 ohm
- High Frequency Transducer: 25.4mm (1 in.) Pure Titanium Compression Driver 2412H (125-10000-00X)

SYSTEM COMPONENTS: (cont'd)

- DC Resistance: 3.7 ohm
- Crossover Network: NCAB25 (330729-001)

AURAL SWEEP TEST SPECIFICATIONS:

- A. System Aural Sweep Test: 7.0V Input, 20 Hz to 20 kHz
- B. L.F. Aural Sweep Test: 7.0V Input, 20 Hz to 1.2 kHz
- C. H.F. Aural Sweep Test: 2.83V Input, 550 Hz to 20 kHz

PHYSICAL SPECIFICATIONS:

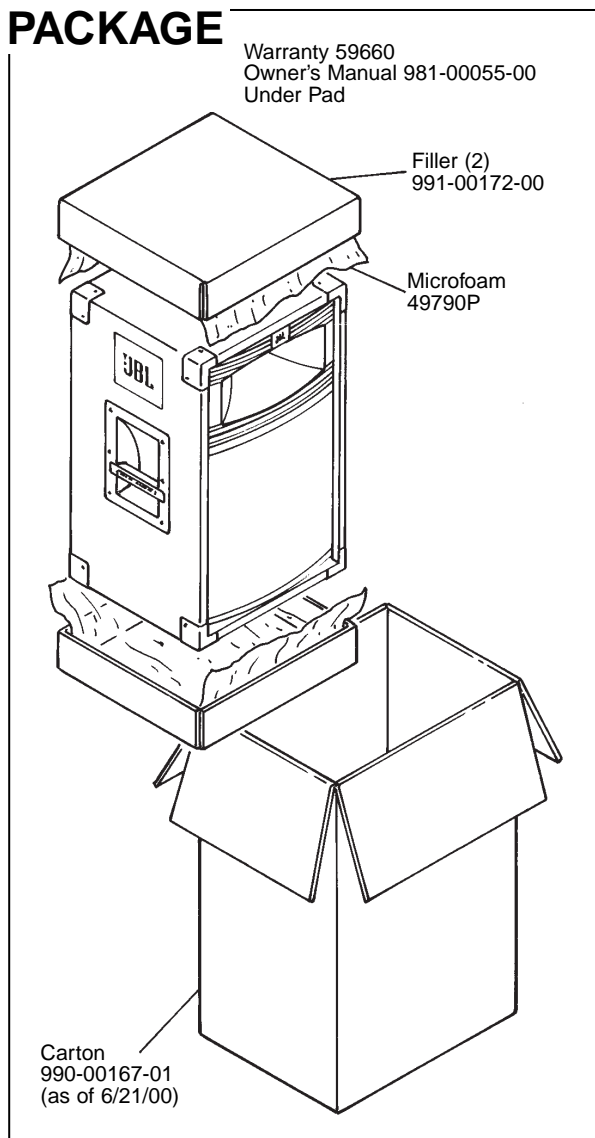
- Enclosure Dimensions: 750mm x 460mm x 370mm D (29.5 x 18.0 x 14.5 in. D)
- Shipping Weight: 63 lbs. (28.6 kg.)

WARRANTY INFORMATION:

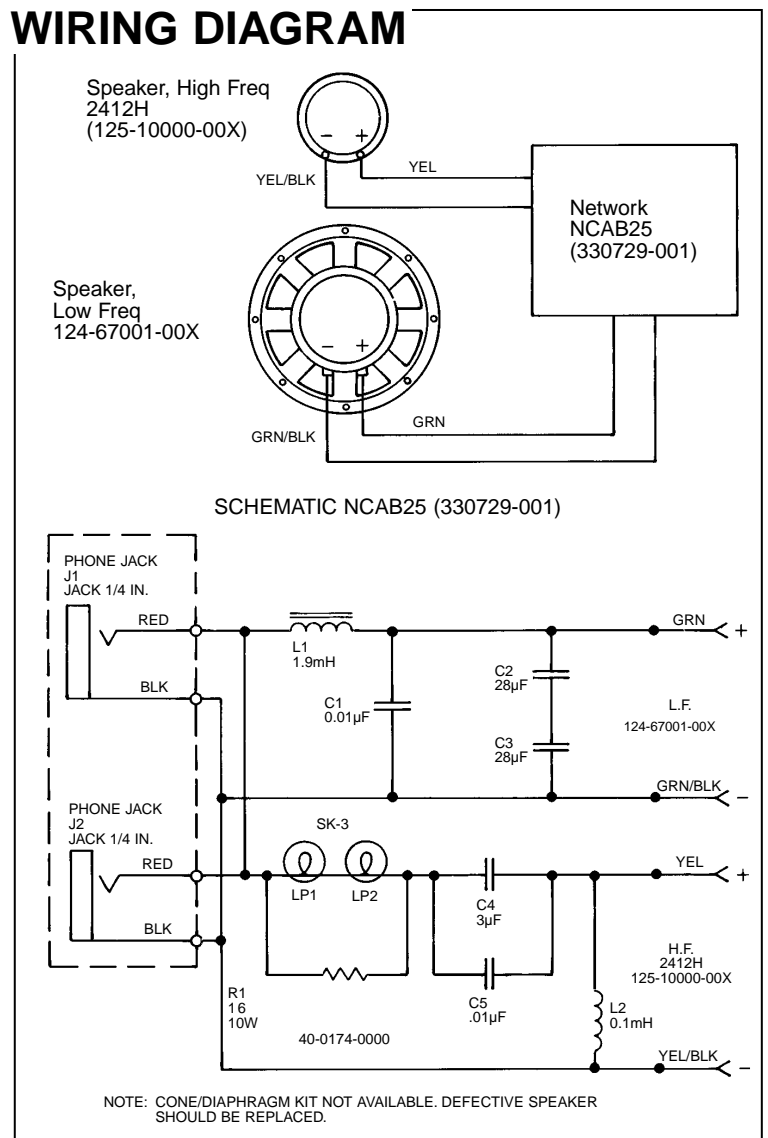
- Refer to Warranty Statement packed with each product.

*1 Watt (2.83 V RMS) @ 1 Meter

PACKAGE



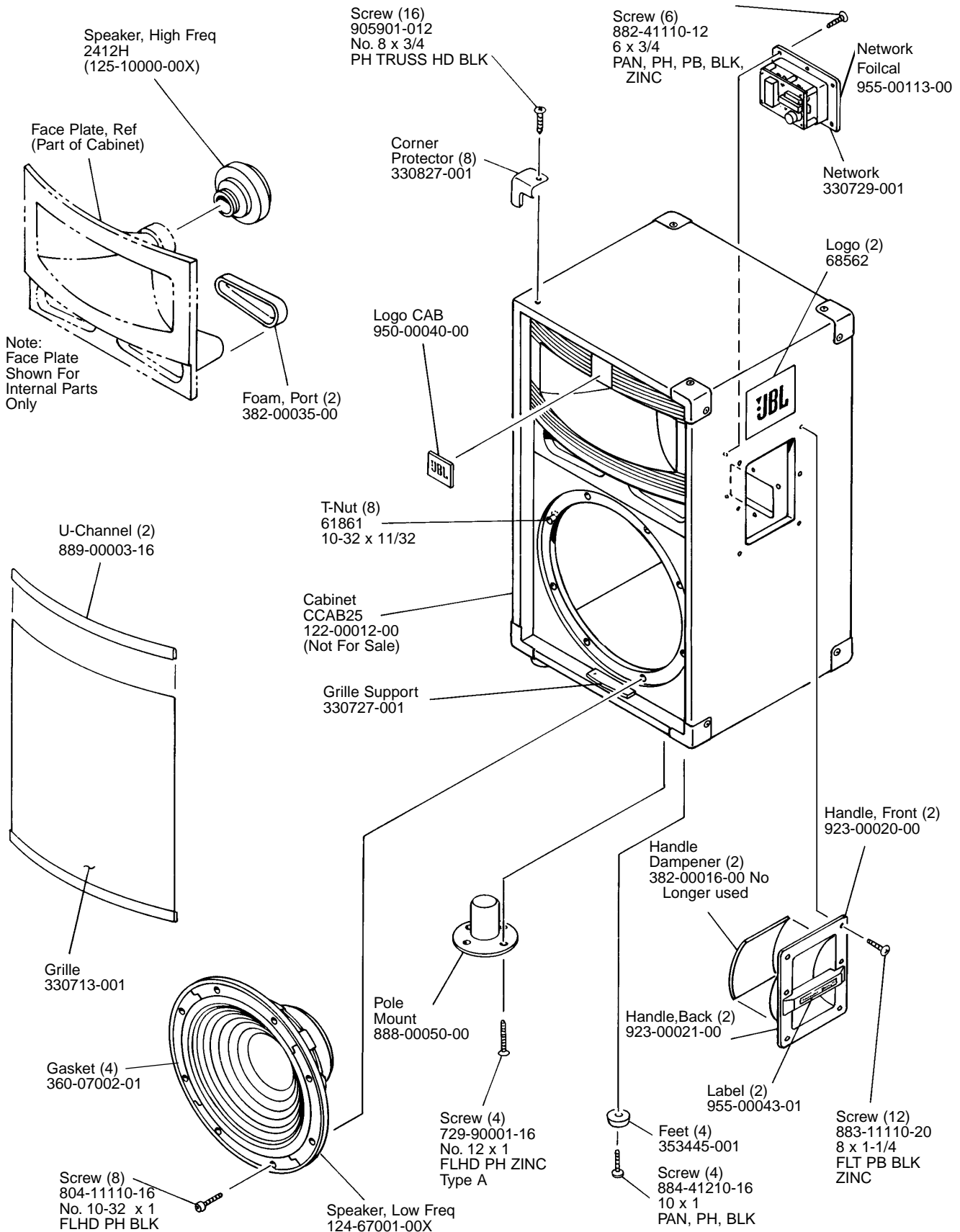
WIRING DIAGRAM



JBL CAB25 REV J

JBL CAB25

COMPONENT EXPLODED VIEW



Note: Handle (923-00021-00) and Handle Back (923-00020-00) to be affixed together with cyanoacrylate adhesive.