

Technical Manual

JBL4604 STAGE MONITOR SPECIFICATIONS



ACOUSTIC & ELECTRICAL SPECIFICATIONS:

- Nominal Impedance: 8 ohm
- Power Capacity: Continuous Pink Noise: 200W
Continuous Program: 400W
- Frequency Response: 40 Hz to 20 kHz
- Sensitivity: 103 dB SPL*
- Crossover Frequencies: 1.5 kHz

SYSTEM COMPONENTS:

- Cabinet: C4604B
- Grille: G4604B
- Low Frequency Transducer: 380mm (15 in.) Paper Cone Transducer (E140-8)

*1 Watt (2.83 V RMS) @ 1 Meter

SYSTEM COMPONENTS: (cont'd)

- High Frequency Transducer: 25mm (1 in.) Pure Titanium Diaphragm Compression Driver (2425J)
- Crossover Network: (63371-0060)

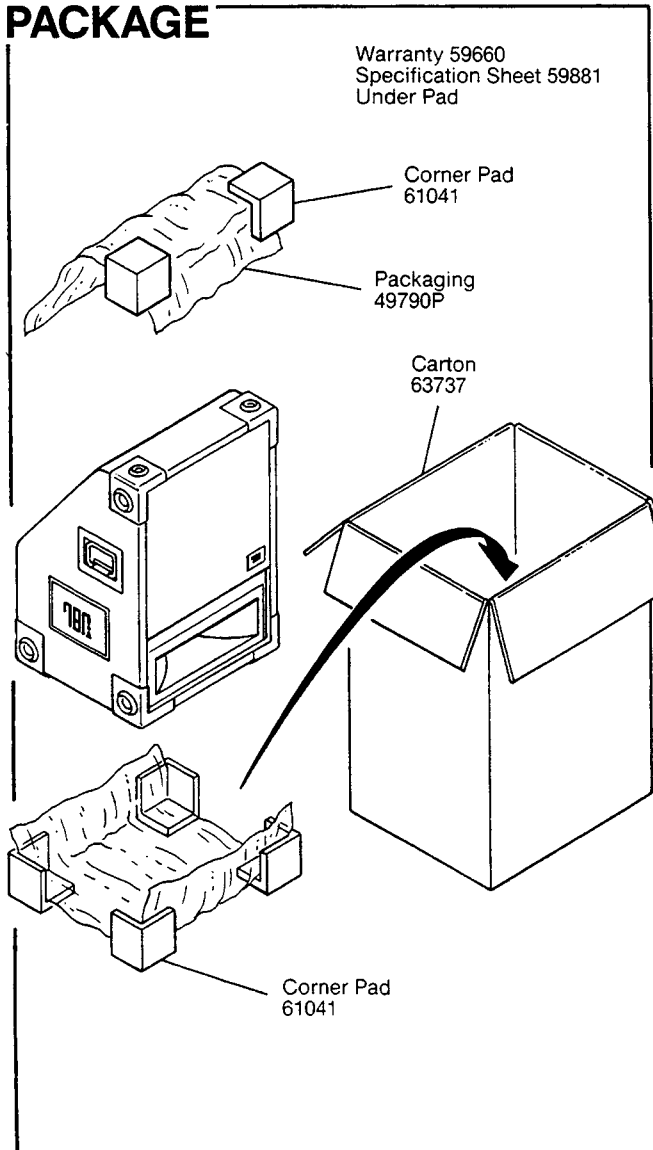
PHYSICAL SPECIFICATIONS:

- Enclosure Dimensions: 767mm x 512mm x 478mm D
(30.18 x 20.12 x 18.81 in. D)
- Shipping Weight: 105 lbs. (47.6 kg)

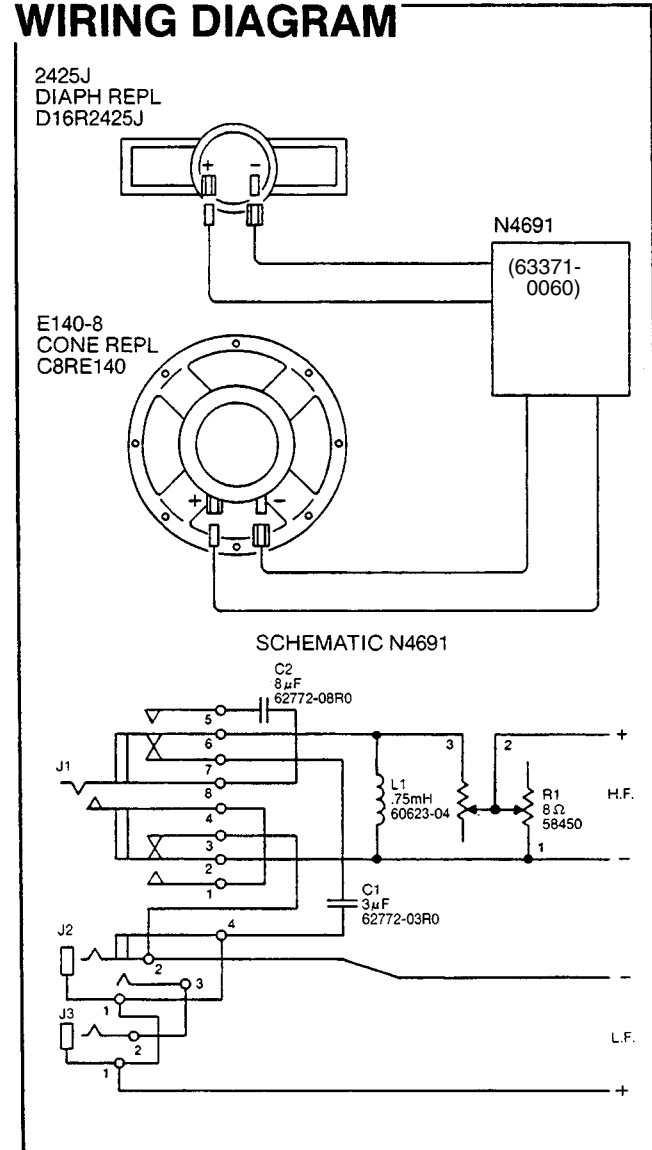
WARRANTY INFORMATION:

- Refer to the Warranty Statement packed with each product.

PACKAGE



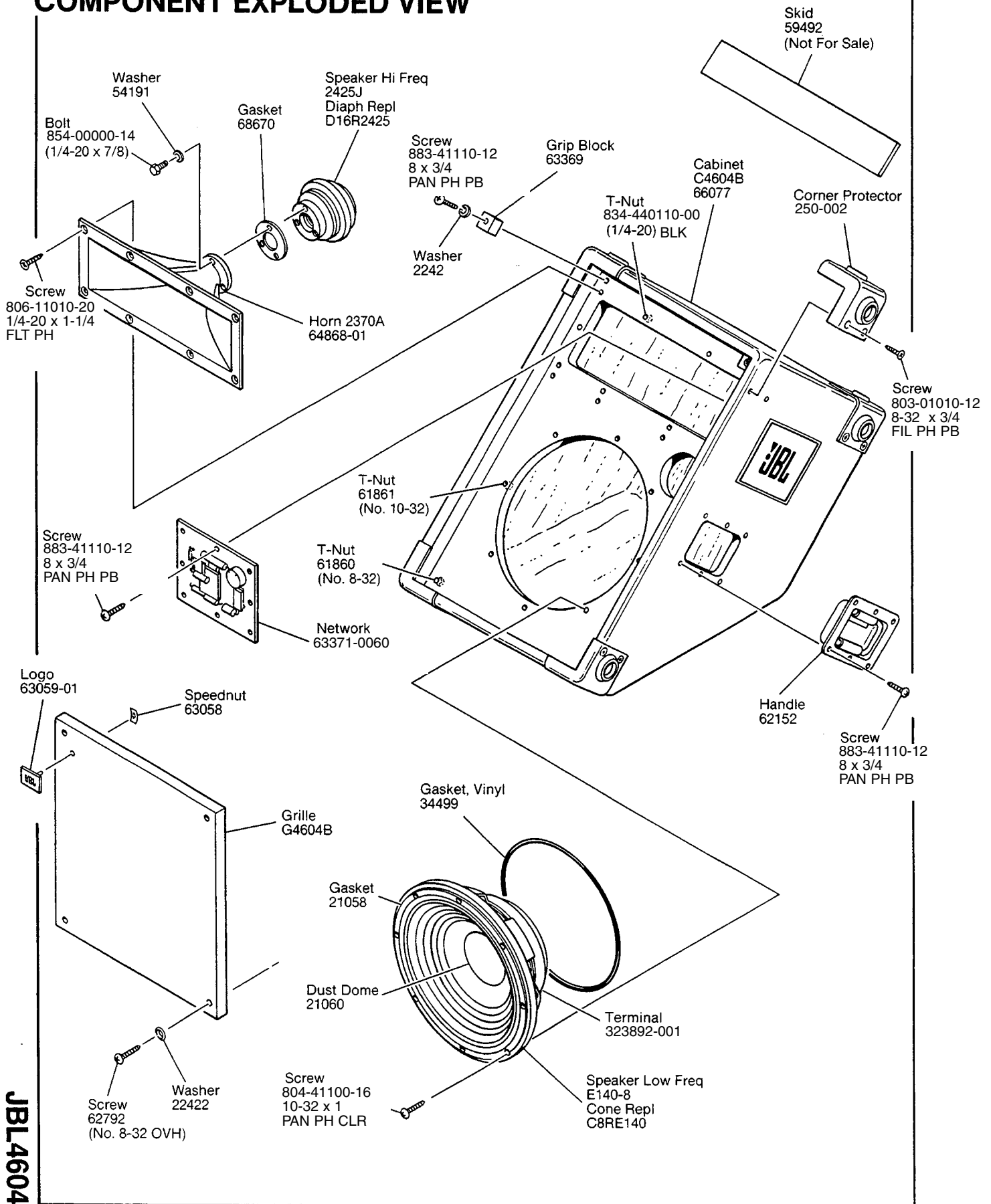
WIRING DIAGRAM



JBL4604 REV D

JBL4604

COMPONENT EXPLODED VIEW



JBL4604