

Technical Manual

JBL4623

SPECIFICATIONS



ACOUSTIC & ELECTRICAL SPECIFICATIONS:

- Nominal Impedance: 8 ohm
- Power Capacity: Continuous Sinewave: 150W
Continuous Program: 300W
- Frequency Range: 50 Hz to 15 kHz
- Sensitivity: 105 dB SPL*
- Crossover Frequencies: 3 kHz

SYSTEM COMPONENTS:

- Cabinet: C4723
- Grille: 59495-02
- Low Frequency Transducer: 380mm (15 in.) Cone Transducer (E130-8)

*1 Watt (2.83 V RMS) @ 1 Meter

SYSTEM COMPONENTS: (cont'd)

- High Frequency Transducer: 44mm (1-3/4 in.) Pure Aluminum Compression Driver (2402H)
- Crossover Network: 3104

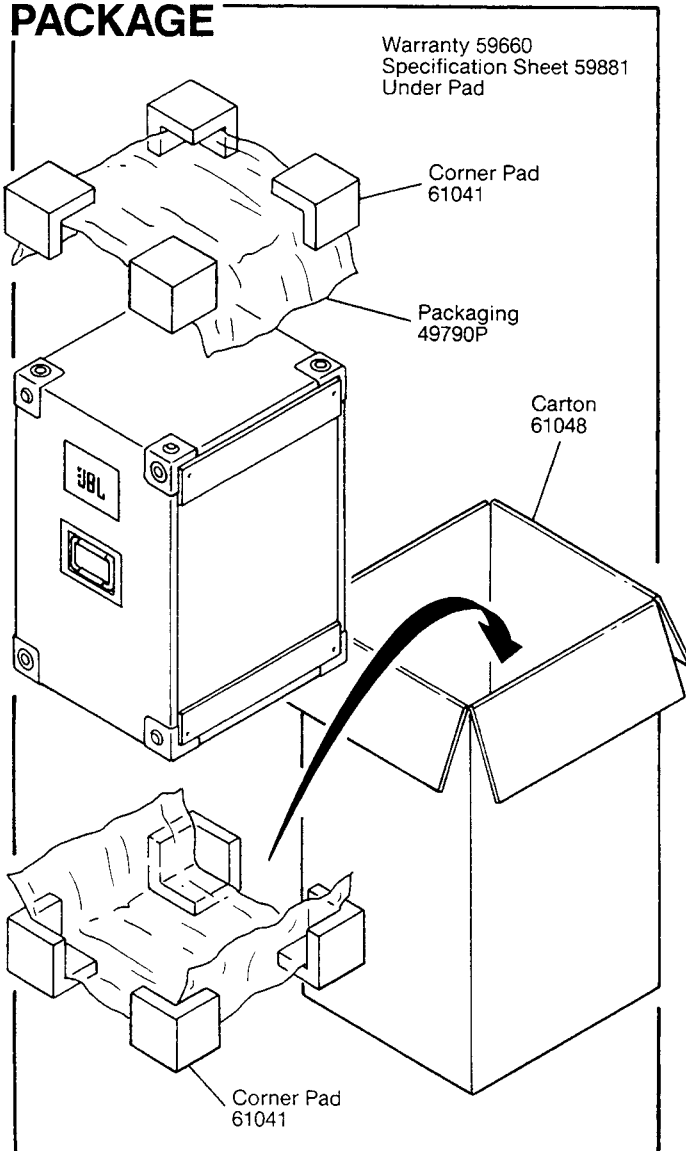
PHYSICAL SPECIFICATIONS:

- Enclosure Dimensions: 767mm x 512mm x 478mm D
(30.18 x 20.12 x 18.81 in. D)
- Shipping Weight: 96 lbs. (43.5 kg)

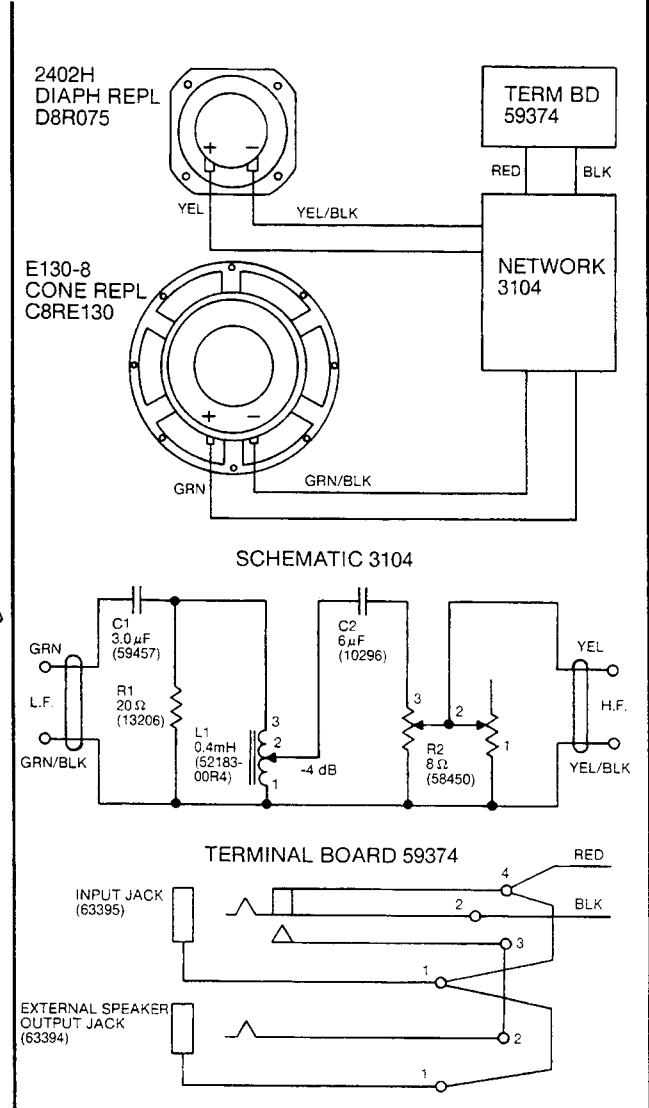
WARRANTY INFORMATION:

- Refer to the Warranty Statement packed with each product.

PACKAGE



WIRING DIAGRAM



JBL4623 REV C

JBL4623

COMPONENT EXPLODED VIEW

