

Technical Manual

JBL4628B KEYBOARD/ REINFORCEMENT

SPECIFICATIONS



ACOUSTIC & ELECTRICAL SPECIFICATIONS:

- Nominal Impedance: 8 ohm
- Power Capacity: Continuous Pink Noise: 200W
Continuous Program: 400W
- Frequency Range: 36 Hz to 21.5 kHz
- Sensitivity: 96 dB SPL*
- Crossover Frequencies: 800 Hz and 3 kHz

SYSTEM COMPONENTS:

- Cabinet: C4828
- Grilles: G4828
- Low Frequency Transducer: 380mm (15 in.) Cone Transducer

*1 Watt (2.83 V RMS) @ 1 Meter

SYSTEM COMPONENTS: (cont'd)

- Mid Frequency Transducer: 200mm (8 in.) Cone Transducer
- High Frequency Transducer: 44mm (1.75 in.) Aluminum Diaphragm Compression Driver
- Crossover Network: 63350-0060

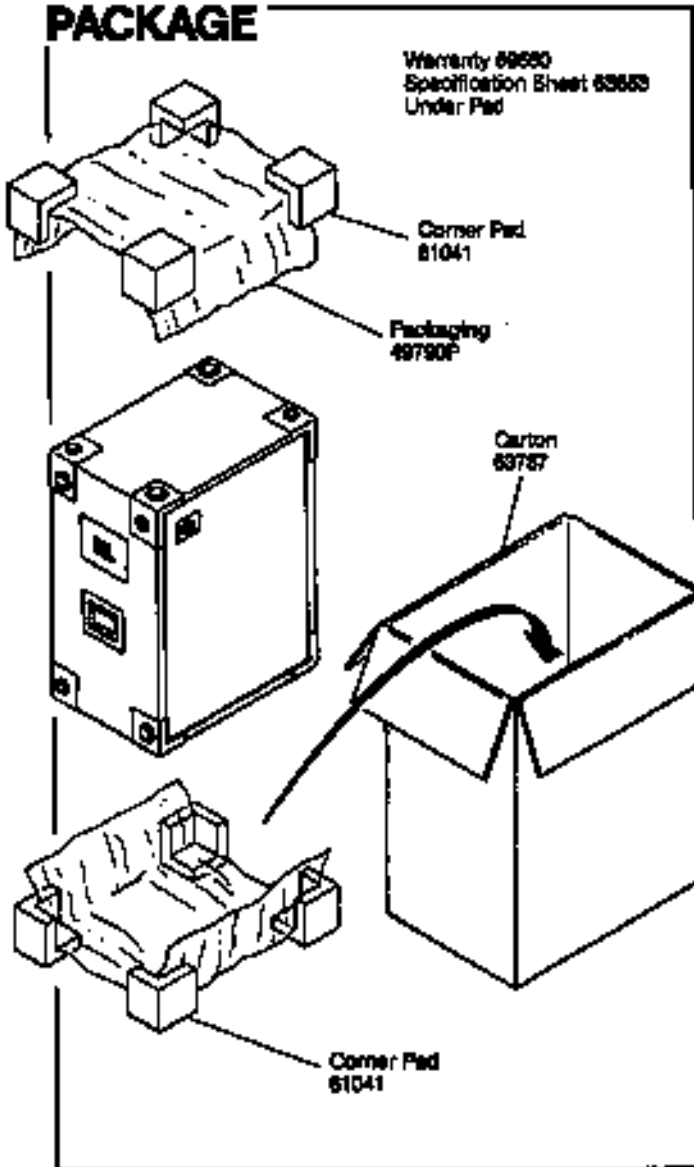
PHYSICAL SPECIFICATIONS:

- Enclosure Dimensions: 767mm x 512mm x 475mm D
(30.18 x 20.12 x 18.61 in. D)
- Shipping Weight: 108 1/2 lbs. (49.2 kg.)

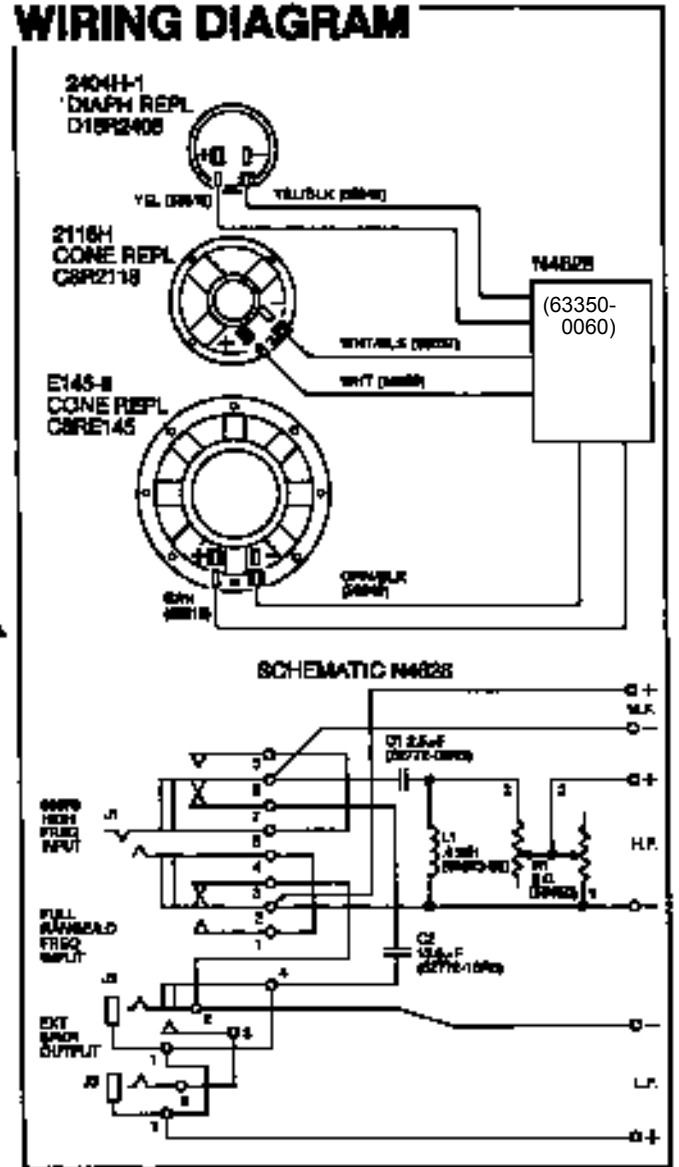
WARRANTY INFORMATION:

- Refer to the Warranty Statement packed with each product.

PACKAGE



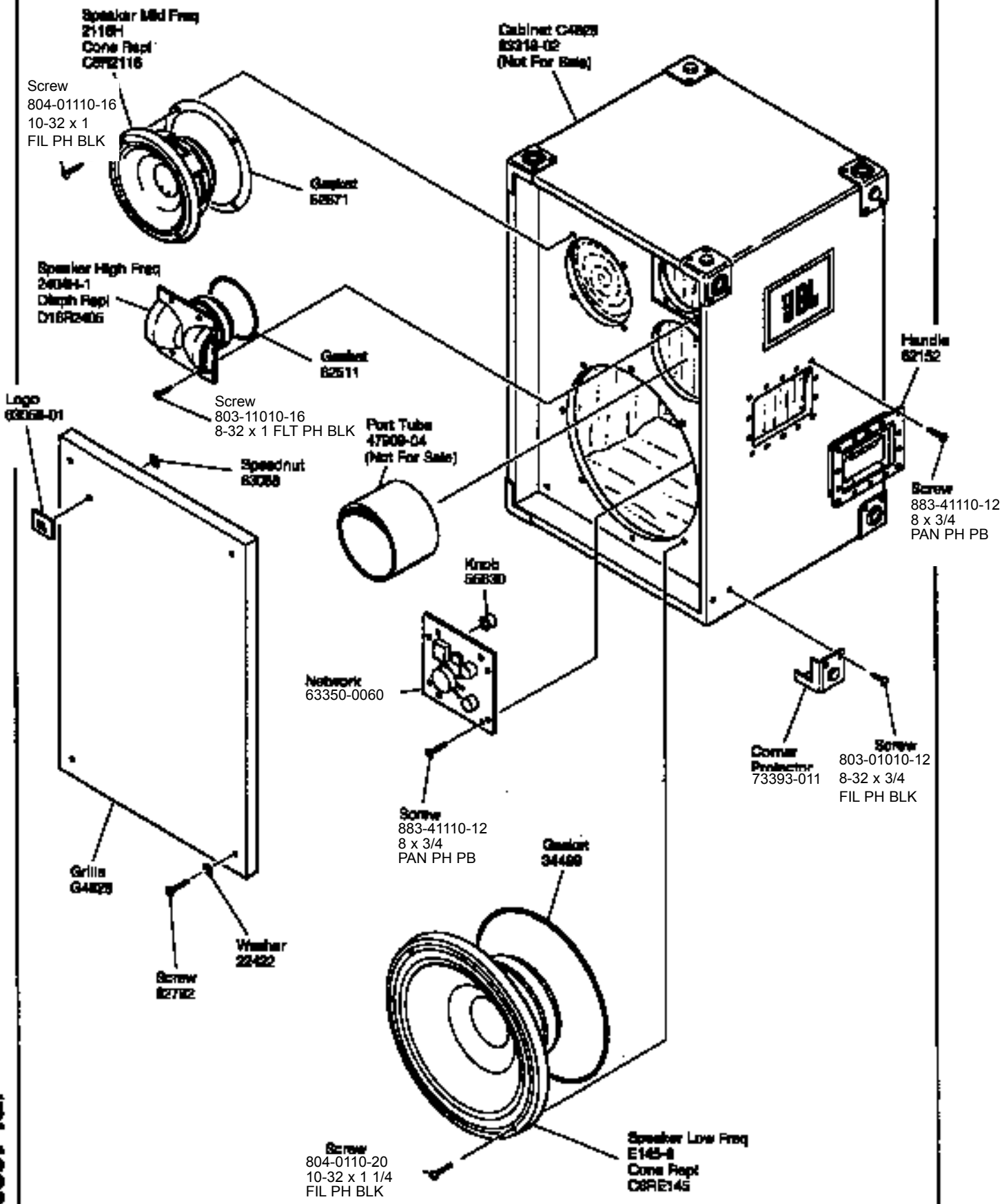
WIRING DIAGRAM



JBL4628B REV J

JBL4628B

COMPONENT EXPLODED VIEW



JBL4628B