

# Technical Manual

# JBL4682

## SPECIFICATIONS



### ACOUSTIC & ELECTRICAL SPECIFICATIONS:

- Nominal Impedance: 8 ohm
- Power Capacity: Continuous Sine Wave: 300W  
Continuous Program: 600W
- Frequency Range: 55 Hz to 15 kHz
- Sensitivity: 105 dB SPL\*
- Crossover Frequencies: 3.0 kHz

### SYSTEM COMPONENTS:

- Cabinet: C4782
- Grille: 51849
- Low Frequency Transducer: 250mm (10 in.) Cone Transducer (K110-8) (4)

\*1 Watt (2.83 V RMS) @ 1 Meter

### SYSTEM COMPONENTS: (cont'd)

- High Frequency Transducer: 44mm (1-3/4 in.) Aluminum Diaphragm (2402H) (2)
- Crossover Network: 3102

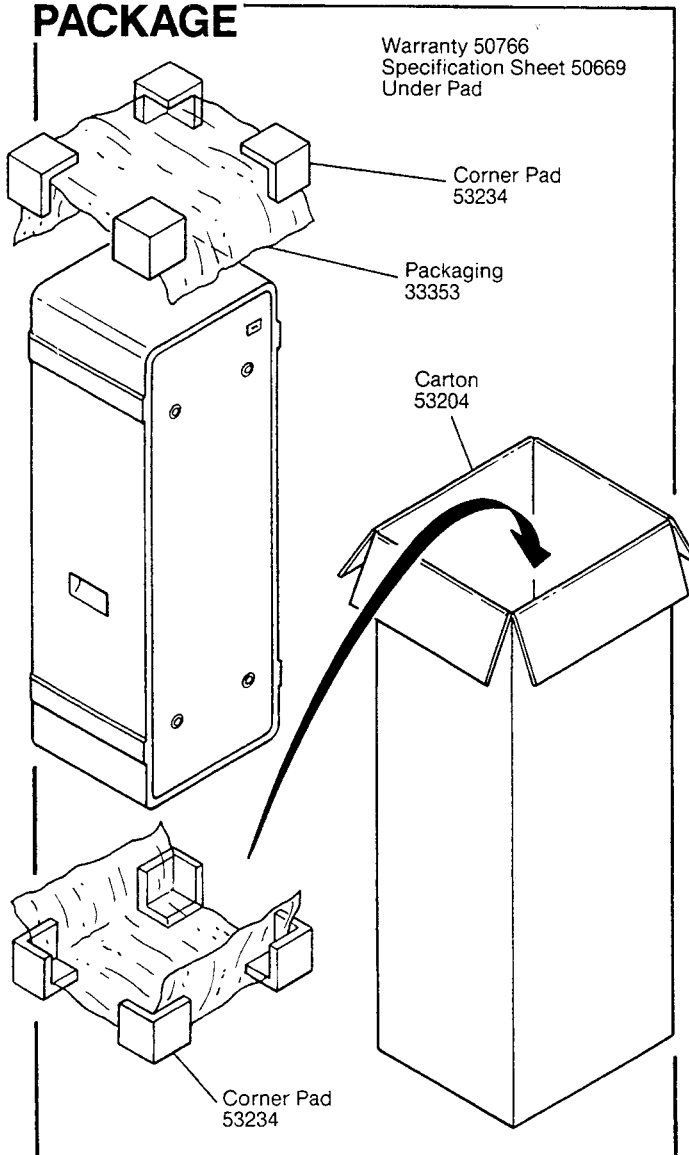
### PHYSICAL SPECIFICATIONS:

- Enclosure Dimensions: 1321mm x 438mm x 343mm D  
(52.0 x 17.25 x 13.5 in. D)
- Shipping Weight: 95 lbs. (43 kg)

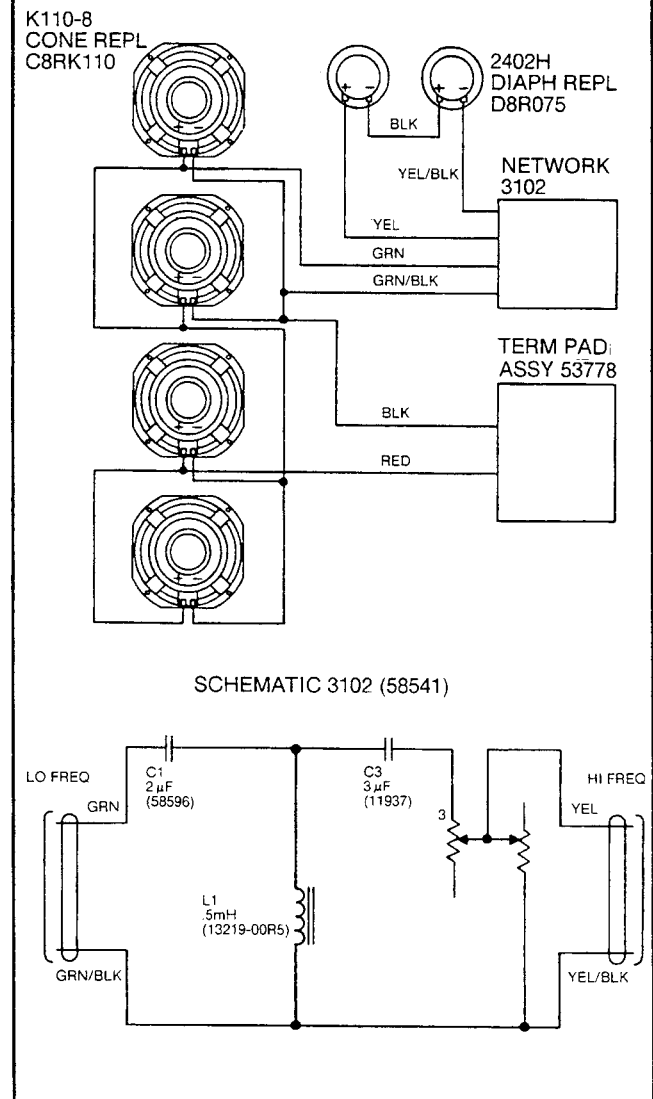
### WARRANTY INFORMATION:

- Refer to the Warranty Statement packed with each product.

## PACKAGE



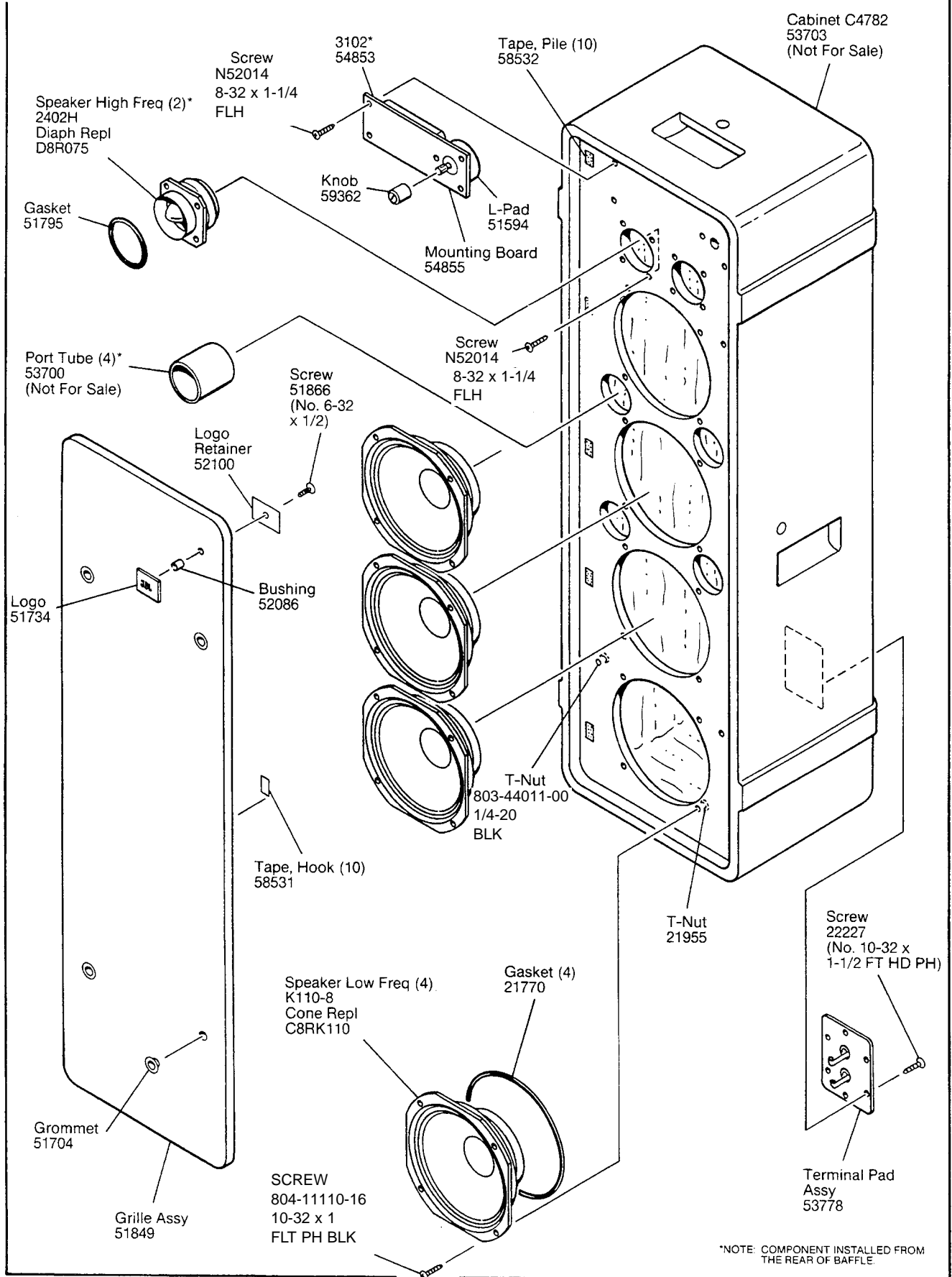
## WIRING DIAGRAM



JBL4682 REV C

# JBL4682

## COMPONENT EXPLODED VIEW



\*NOTE: COMPONENT INSTALLED FROM THE REAR OF BAFFLE

JBL4682