

Technical Manual

JBL4690A

SPECIFICATIONS



ACOUSTIC & ELECTRICAL SPECIFICATIONS:

- Nominal Impedance: 8 ohm
- Power Capacity: 200W
Continuous Program: 400W
- Frequency Range: 40 Hz to 20 kHz
- Sensitivity: 103 dB SPL*
- Crossover Frequencies: 1.5 kHz

SYSTEM COMPONENTS:

- Cabinet: C4790A
- Grille: 60401-01
- Low Frequency Transducer: 380mm (15 in.) Cone Transducer (E140-8)

*1 Watt (2.83 V RMS) @ 1 Meter

SYSTEM COMPONENTS: (cont'd)

- High Frequency Transducer: 44mm (1-3/4 in.) Pure Titanium Diaphragm (2425J)
- Crossover Network: 3101A, High Pass Network

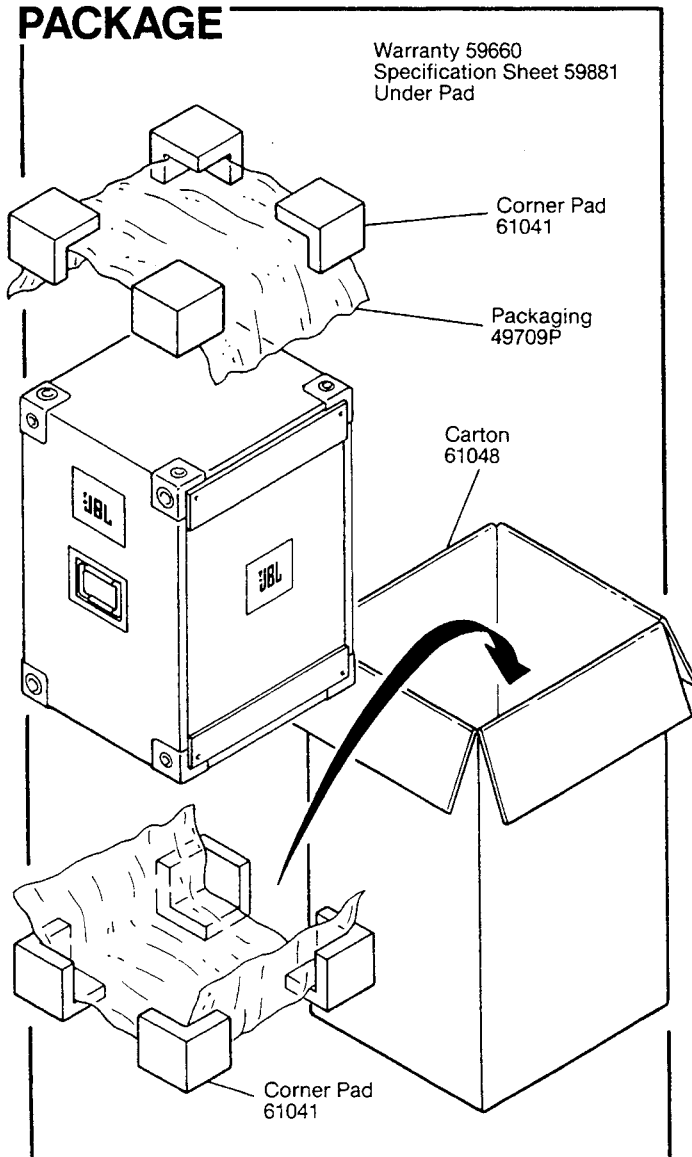
PHYSICAL SPECIFICATIONS:

- Enclosure Dimensions: 767mm x 512mm x 478mm D
(30.18 x 20.12 x 18.18 in. D)
- Shipping Weight: 109 lbs. (49.4 kg)

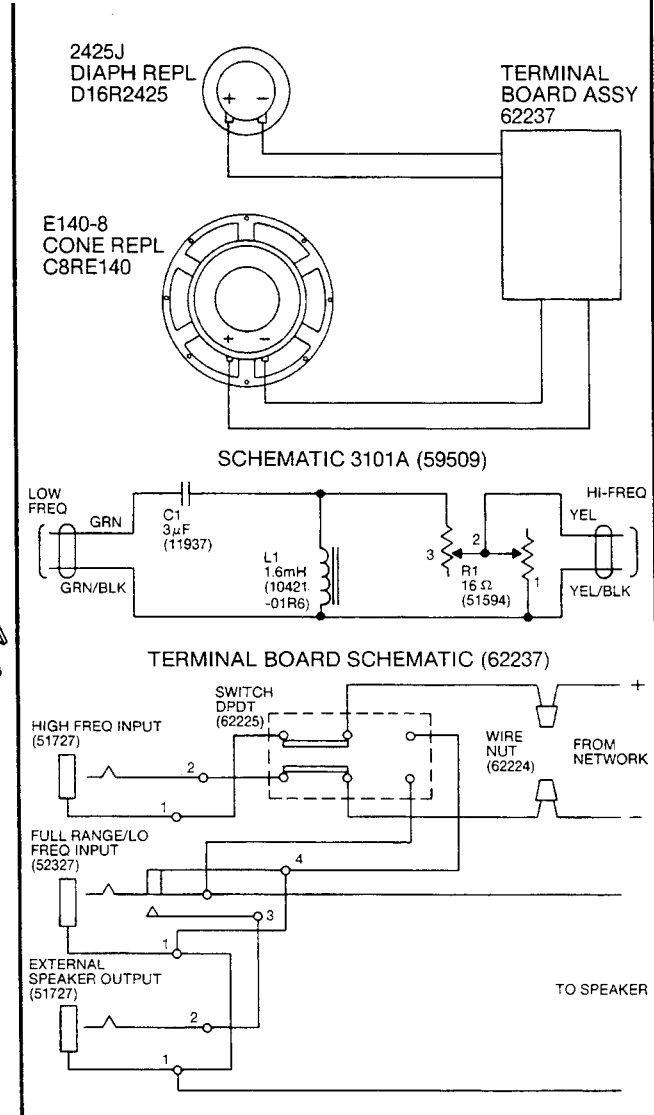
WARRANTY INFORMATION:

- Refer to the Warranty Statement packed with each product.

PACKAGE



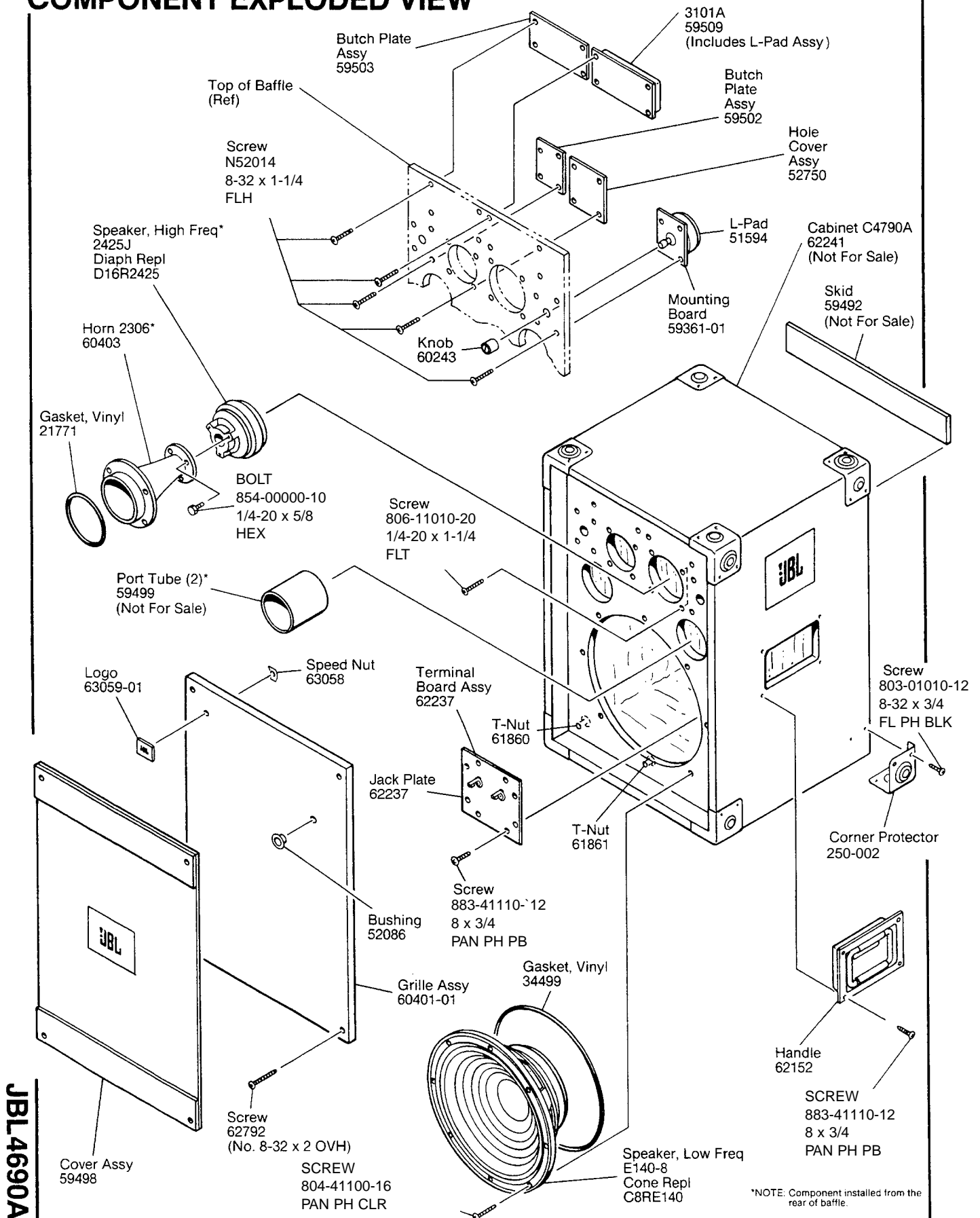
WIRING DIAGRAM



JBL4690A REV D

JBL 4690A

COMPONENT EXPLODED VIEW



*NOTE: Component installed from the rear of baffle.

JBL4690A