

Technical Manual

JBL4695B-4 BASS GUITAR/ SUB-WOOFER



SPECIFICATIONS

ACOUSTIC & ELECTRICAL SPECIFICATIONS:

- Nominal Impedance: 4 ohm
- Power Capacity: Continuous Pink Noise: 300W
Continuous Program : 600W
- Frequency Range: 30 Hz to 20 kHz (-10dB)
- Sensitivity: 100 dB SPL*
- Crossover Frequencies: N/A

SYSTEM COMPONENTS:

- Cabinet: C4695B-4
- Grille: 60434

SYSTEM COMPONENTS: (cont'd)

- Low Frequency Transducer: 460mm (18 in.)
Cone Transducer (E155-4)
- Crossover Network: 59374

PHYSICAL SPECIFICATIONS:

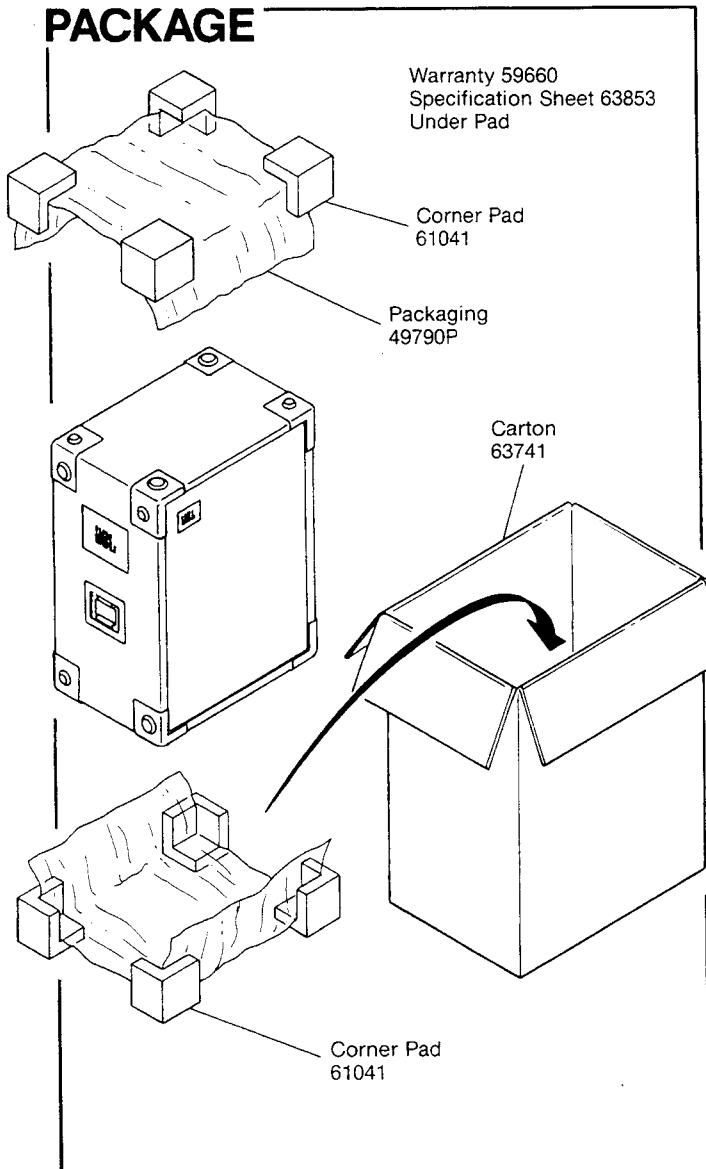
- Enclosure Dimensions: 1021mm x 751mm x 478mm D
(40.18 x 29.56 x 18.81 in. D)
- Shipping Weight: 142 lbs. (64.3 kg.)

WARRANTY INFORMATION:

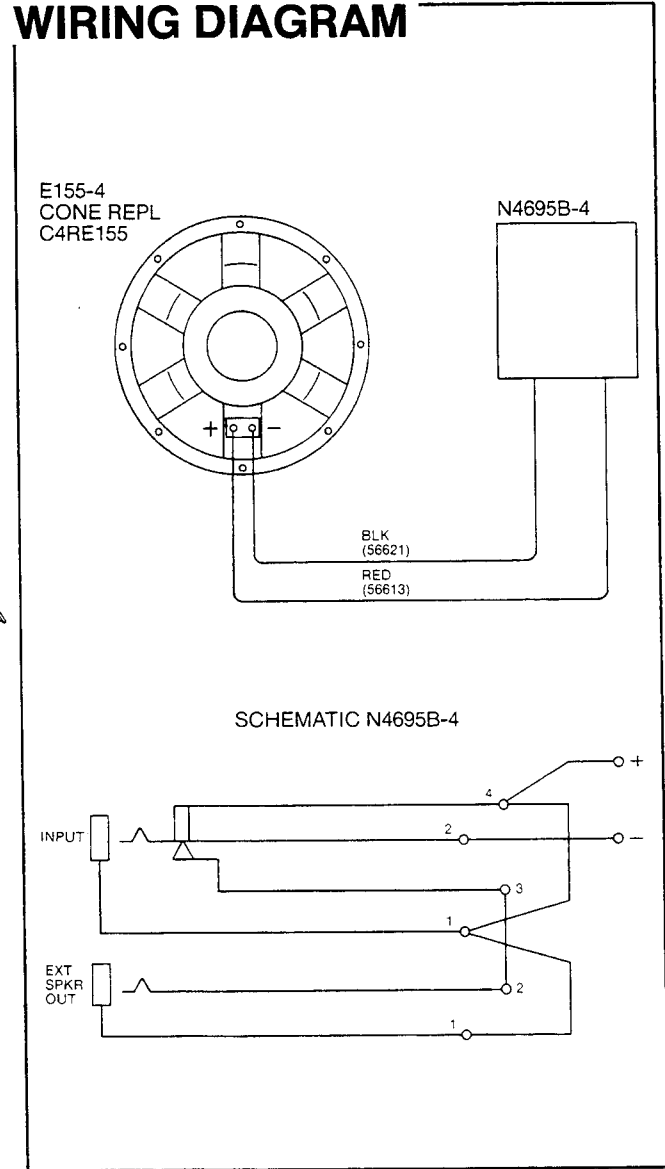
- Refer to the Warranty Statement packed with each product.

*1 Watt (2.83 V RMS) @ 1 Meter

PACKAGE



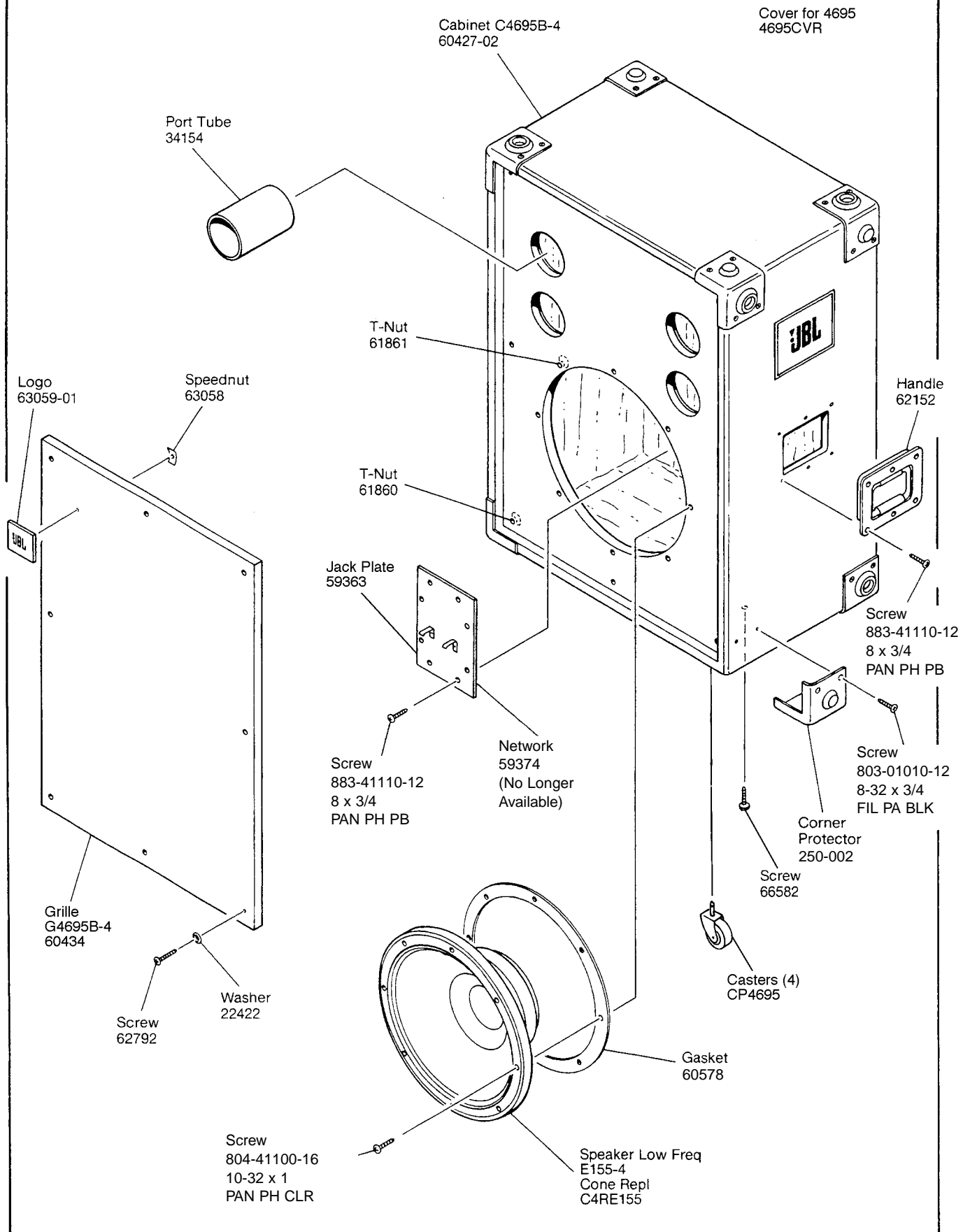
WIRING DIAGRAM



JBL4695B-4 REV E

JBL4695B-4

COMPONENT EXPLODED VIEW



JBL4695B-4