

Technical Manual

JBL4699B

FULL RANGE PLAYBACK/ REINFORCEMENT SYSTEM



SPECIFICATIONS

ACOUSTIC & ELECTRICAL SPECIFICATIONS:

- Nominal Impedance: 4 ohm
- Power Capacity: Continuous Pink Noise: 400W
Continuous Program : 800W
- Frequency Range: 35 Hz to 20 kHz
- Sensitivity: 103 dB SPL*
- Crossover Frequencies: 500 Hz - 2 kHz

SYSTEM COMPONENTS:

- Cabinet: C4699
- Grille: G4699
- Low Frequency Transducer: 460mm (18 in.)
Cone Transducer

*1 Watt (2.83 V RMS) @ 1 Meter

SYSTEM COMPONENTS: (cont'd)

- Mid Frequency Transducer: 250mm (10 in.)
Cone Transducer
- High Frequency Transducer: 44mm (1-3/4 in.) Pure Titanium
Compression Driver
- Crossover Network: 66572-0060

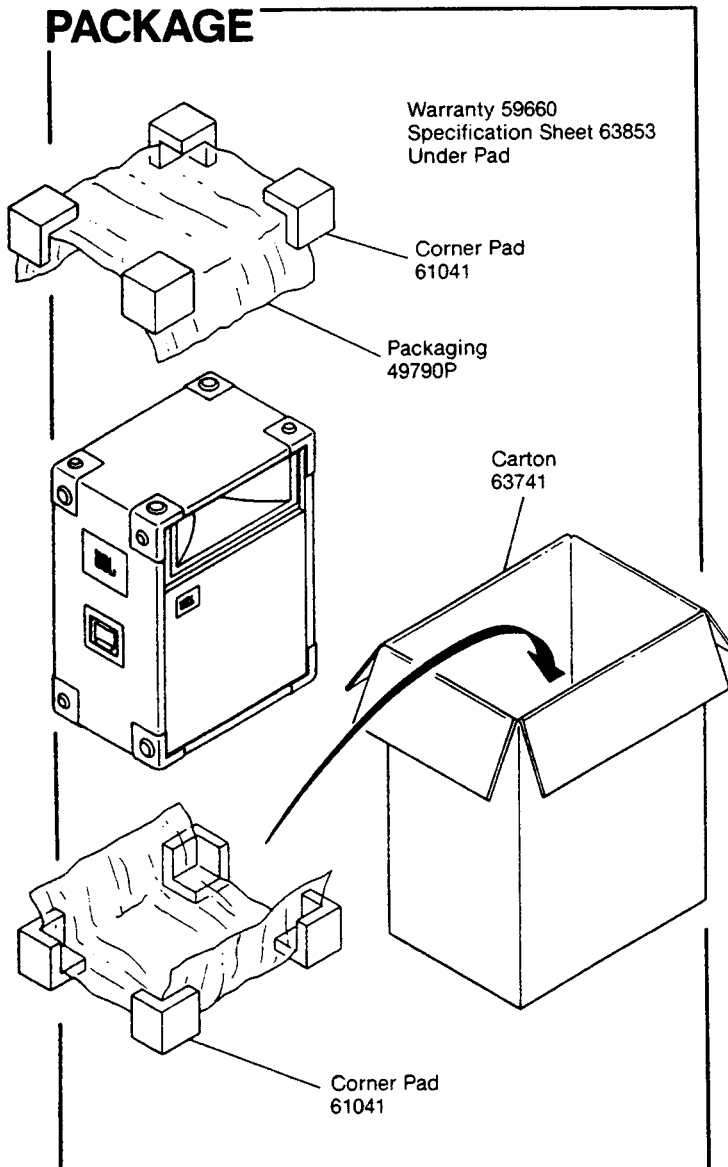
PHYSICAL SPECIFICATIONS:

- Enclosure Dimensions: 1021mm x 751mm x 478mm D
(40.18 x 29.56 x 18.81 in. D)
- Shipping Weight: 185 lbs. (84 kg.)

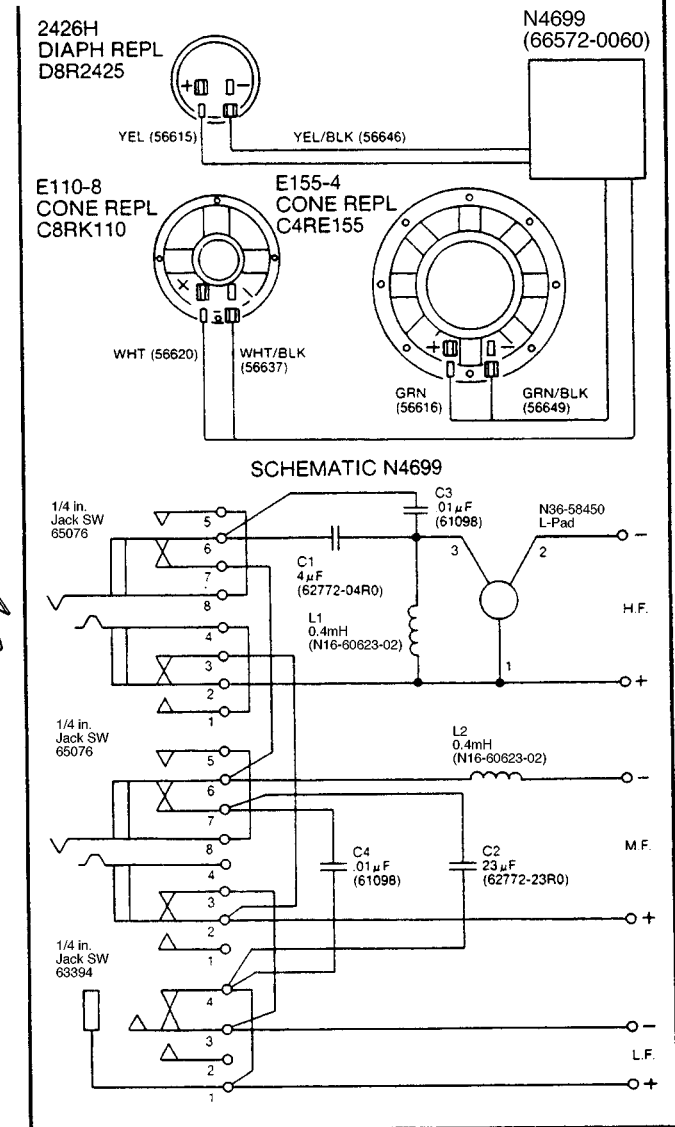
WARRANTY INFORMATION:

- Refer to the Warranty Statement packed with each product.

PACKAGE

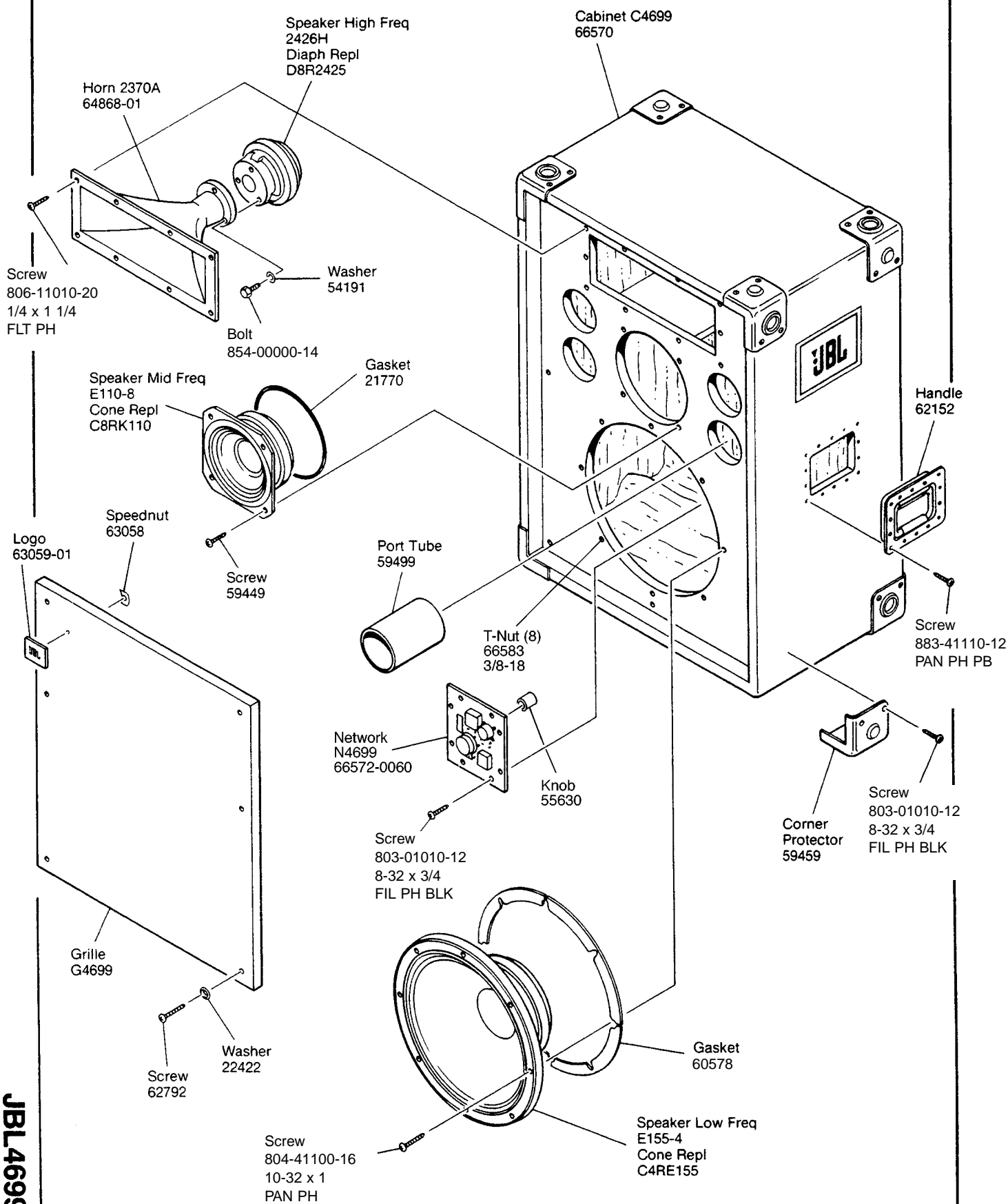


WIRING DIAGRAM



JBL4699B

COMPONENT EXPLODED VIEW



JBL4699B