

# Technical Manual

# JBL Control 126W/T



PROFESSIONAL

## ACOUSTIC & ELECTRICAL SPECIFICATIONS:

- Nominal Impedance: 8 ohms
- Power Capacity: 200 Watts Peak  
100\* Watts Continuous Program  
50 Wats Continuous Pink Noise
- Frequency Response: 38 Hz – 20 kHz (–10 dB)
- System Sensitivity: Passive Mode 88 dB SPL (2.83V @ 1 meter)
- Crossover Freq.: 2,500 Hz

## SYSTEM COMPONENTS:

- Cabinet: (Not For Sale)
- Grille: 353934-001
- Low Frequency Transducer: 165 mm (6.5 in) polymer-coated aluminum cone, pure butyl rubber surround
- DC Resistance: 5.7 ohms ±10%
- High Frequency Transducer: 25 mm (1 in) pure titanium dome with cloth suspension on low-diffraction swivel-mount with -10 degree aimability.
- DC Resistance: 5.5 ohms ± 10%
- Crossover Network 353948-001

## AURAL SWEEP TEST SPECIFICATIONS:

- A. System Aural Sweep Test: 6.0V Input 30 Hz to 20 kHz
- B. L.F. Aural Sweep Test: 5.0V Input, 30 Hz to 3 kHz
- C. H.F. Aural Sweep Test: 2.83V Input, 2 kHz to 20 kHz

## PHYSICAL SPECIFICATIONS:

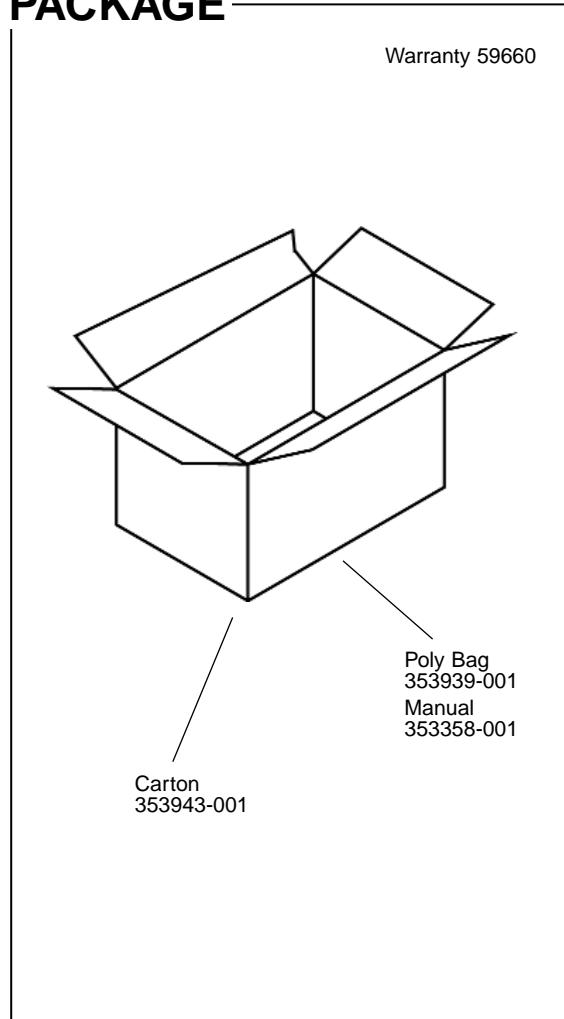
- Enclosure Dimensions: 280 mm x 215 mm x 105 mm D (11.0 in. x 8.5 in. x 4.1 in. D)
- Net Weight (ea): 4.5 lbs. (2.1 kg.) Sold in Pairs

## WARRANTY INFORMATION:

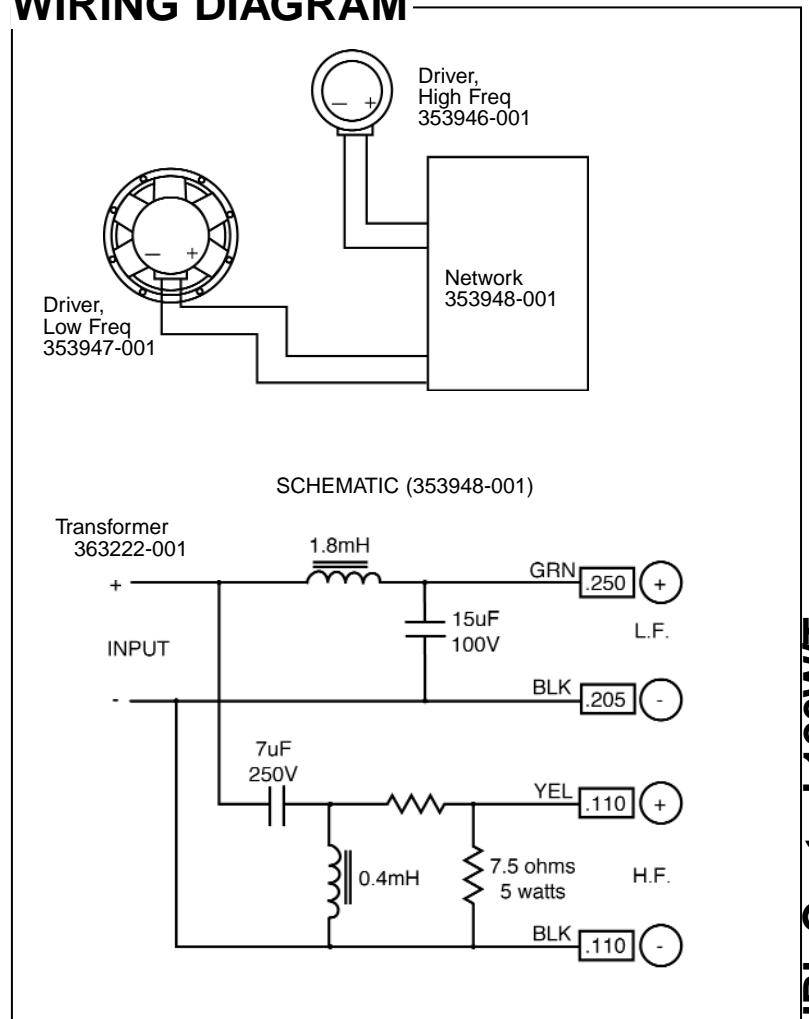
- Refer to Warranty Statement packed with each product.

\* The maximum recommended amplifier power rating will ensure proper system headroom to allow for occasional peaks. We do not recommend sustained operation at these maximum power levels.

## PACKAGE



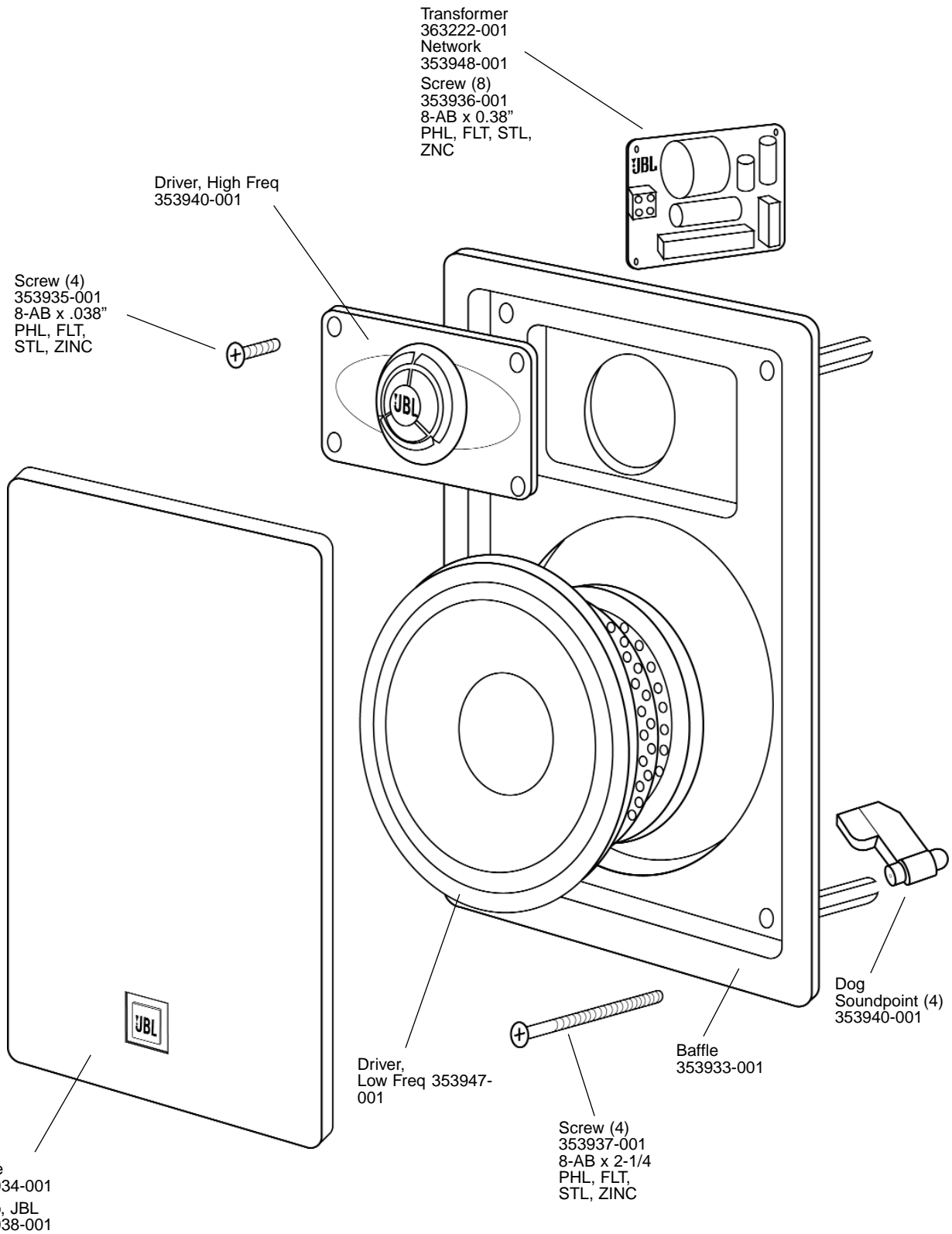
## WIRING DIAGRAM



JBL Control 126W/T REV C

# JBL Control 126W/T

## COMPONENT EXPLODED VIEW



JBL Control 126W/T