

Technical Manual

JBL CONTROL 1 PLUS



SPECIFICATIONS

ACOUSTIC & ELECTRICAL SPECIFICATIONS:

- Nominal Impedance: 4 ohm
- Power Capacity: 160W
- Frequency Range: 60 Hz to 20 kHz (-10 dB)
- Sensitivity: 91 dB SPL*
- Crossover Frequencies: 6 kHz

SYSTEM COMPONENTS:

- Cabinet: C1001P
- Grille: C1004P
- Low Frequency Transducer: 135mm (5.25 in.) Cone Transducer (C1003P)
- DC Resistance: 2 ohm ±5% Copper Wire

*1 Watt (2.0 V RMS) @ 1 Meter

SYSTEM COMPONENTS: (cont'd)

- High Frequency Transducer: 19mm (.75 in.) Polycarbonate Dome Tweeter (C1002P)
- DC Resistance: 3.2 ohm ±5% Copper Wire
- Crossover Network: Passive Crossover, C1006P

AURAL SWEEP TEST SPECIFICATIONS:

- A. System Aural Sweep Test: 7.0V Input, 20 Hz to 20 kHz
- B. L.F. Aural Sweep Test: 4.0V Input, 20 Hz to 1.2 kHz
- C. H.F. Aural Sweep Test: 2.0V Input, 2.0 kHz to 20 kHz

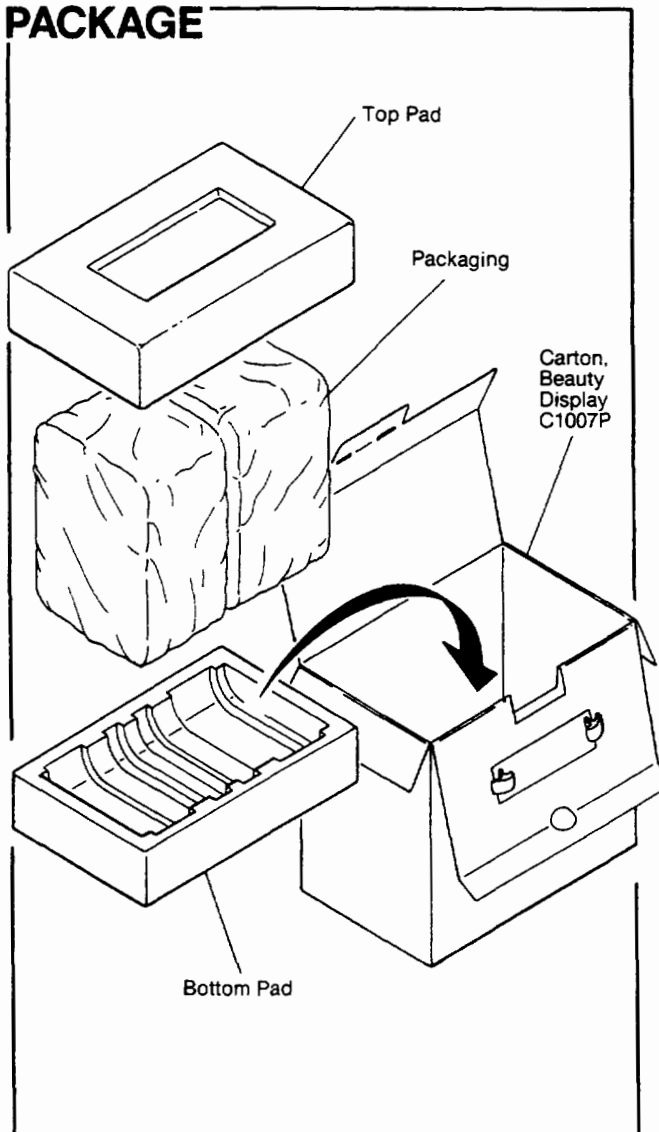
PHYSICAL SPECIFICATIONS:

- Enclosure Dimensions: 235mm x 159mm x 143mm D (9.25 x 6.25 x 5.62 in. D)
- Shipping Weight: 13 lbs./Pair (5.9 kg)

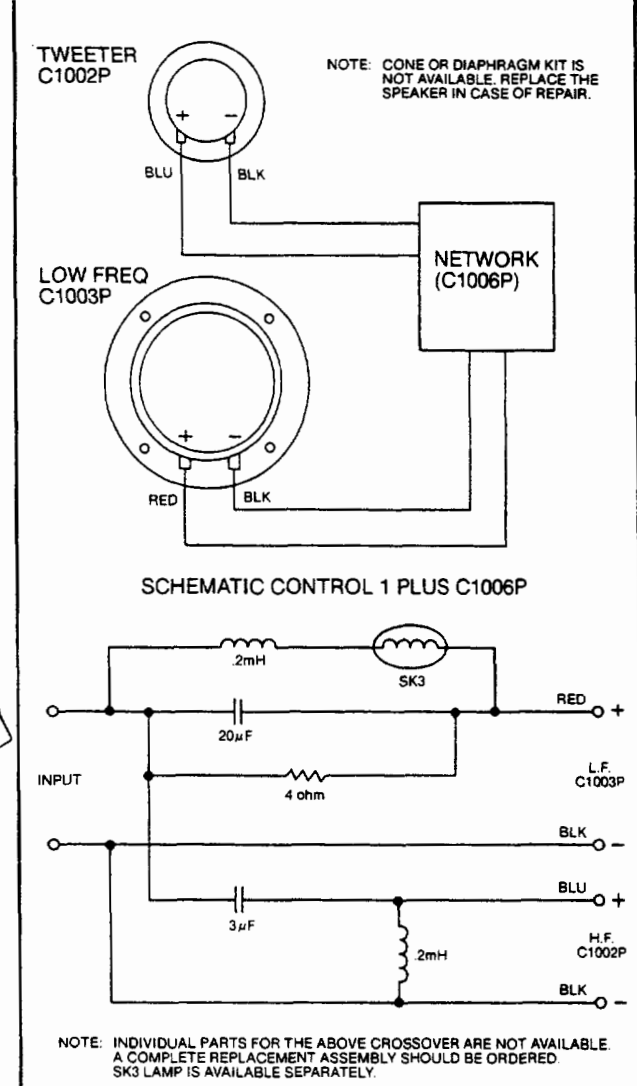
WARRANTY INFORMATION:

- Refer to the Warranty Statement packed with each product.

PACKAGE



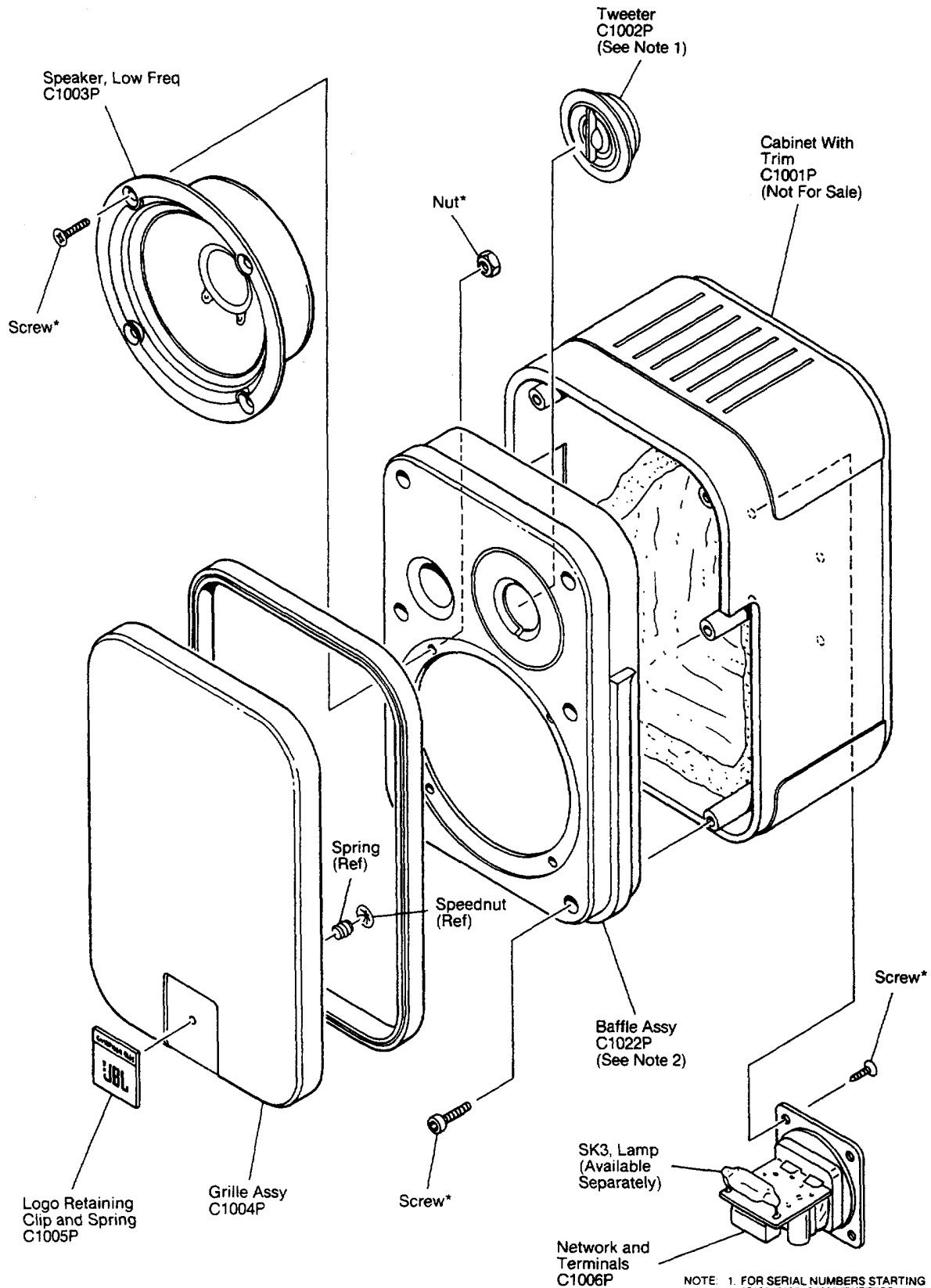
WIRING DIAGRAM



JBL CONTROL 1 PLUS REV B

JBL CONTROL 1 PLUS

COMPONENT EXPLODED VIEW



JBL CONTROL 1 PLUS

*Hardware Kit
C1100

- NOTE: 1. FOR SERIAL NUMBERS STARTING 0510210185, C1002 TWEETER.
2. FOR SERIAL NUMBERS STARTING 0510210184, C1022 BAFFLE ASSY.
3. ORIGINAL TWEETER WAS PERMANENTLY ATTACHED TO FRONT BAFFLE AND MUST BE REPLACED AS AN ASSEMBLY.