

Technical Manual



JBL CONTROL 12SR

SPECIFICATIONS

ACOUSTIC & ELECTRICAL SPECIFICATIONS:

- Nominal Impedance: 8 ohm
- Power Capacity: 200W IEC Filtered Random Noise
- Frequency Range: 45 Hz to 17 kHz (-10 dB)
- Sensitivity: 97 dB SPL*
- Crossover Frequencies: 2 kHz

SYSTEM COMPONENTS:

- Cabinet: C12SR (Not For Sale)
- Grille: GC12 (69440-01)
- Low Frequency Transducer: 300mm (12 in.) Cone Transducer (G125B-8)
- DC Resistance: 6.3 ohm \pm 10% Aluminum Wire

SYSTEM COMPONENTS: (cont'd)

- High Frequency Transducer: 25mm (1 in.) Pure Titanium Compression Driver (2416H-1)
- DC Resistance: 3.2 ohm \pm 8% Aluminum Wire
- Crossover Network: N12SR (69489)

AURAL SWEEP TEST SPECIFICATIONS:

- A. System Aural Sweep Test: 7.0V Input, 20 Hz to 20 kHz
- B. L.F. Aural Sweep Test: 7.0V Input, 20 Hz to 1.2 kHz
- C. H.F. Aural Sweep Test: 2.83V Input, 550 Hz to 1.2 kHz

PHYSICAL SPECIFICATIONS:

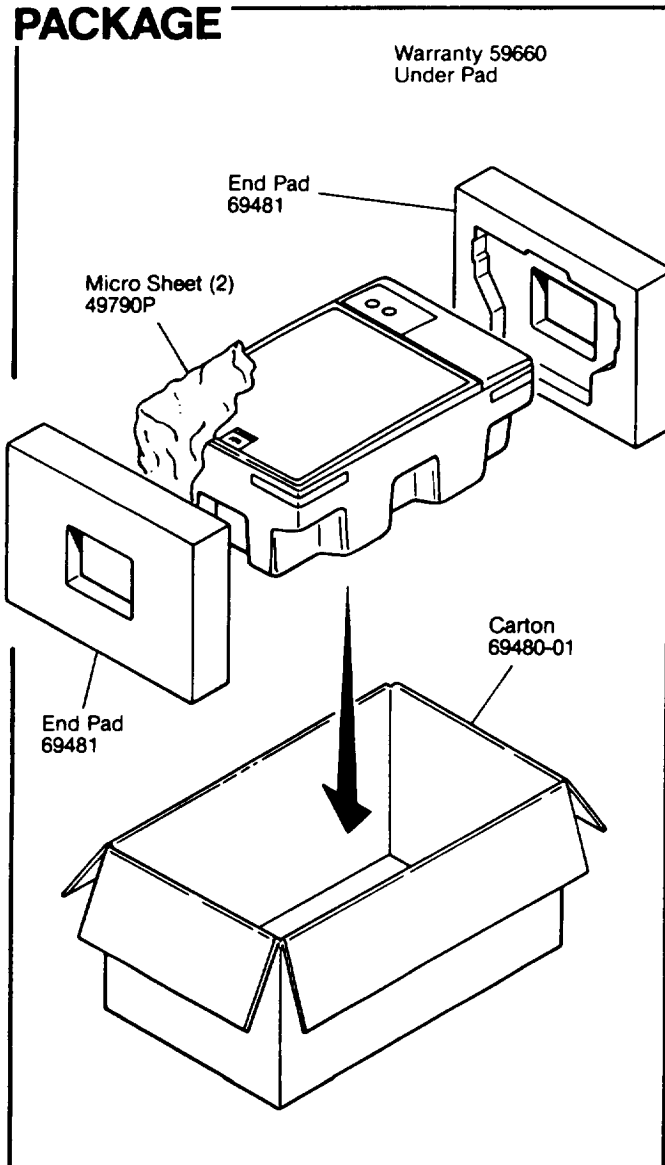
- Enclosure Dimensions: 610mm x 432mm x 305mm D (24.0 x 17.0 x 12.0 in. D)
- Shipping Weight: 46 lbs. (21 kg)

WARRANTY INFORMATION:

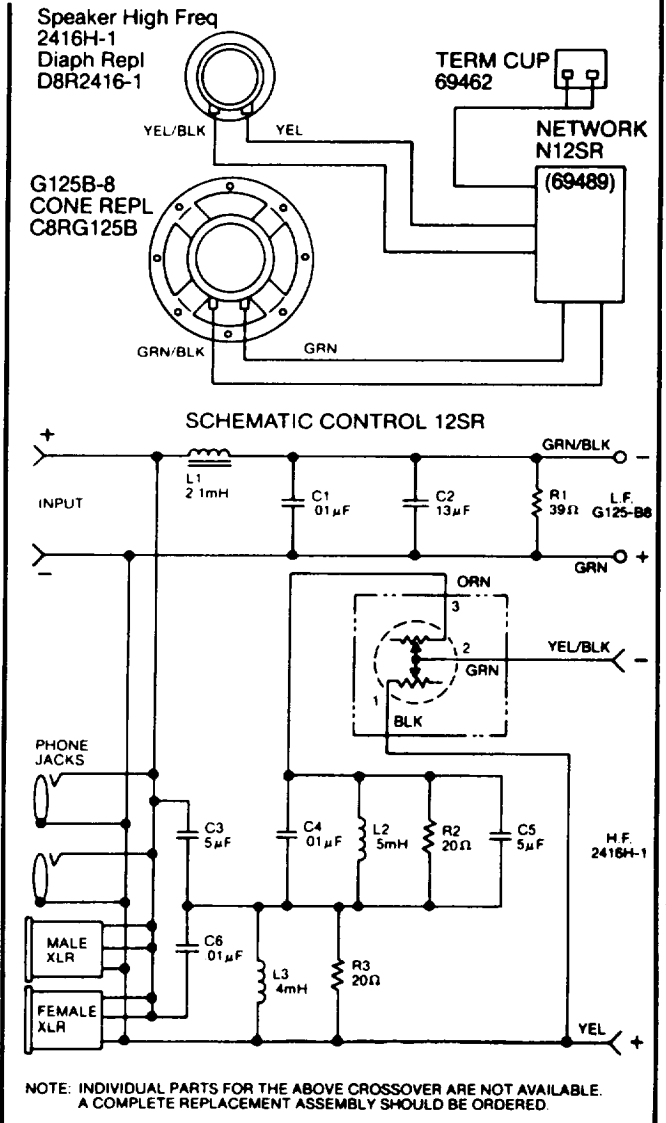
- Refer to the Warranty Statement packed with each product.

*1 Watt (2.83 V RMS) @ 1 Meter

PACKAGE



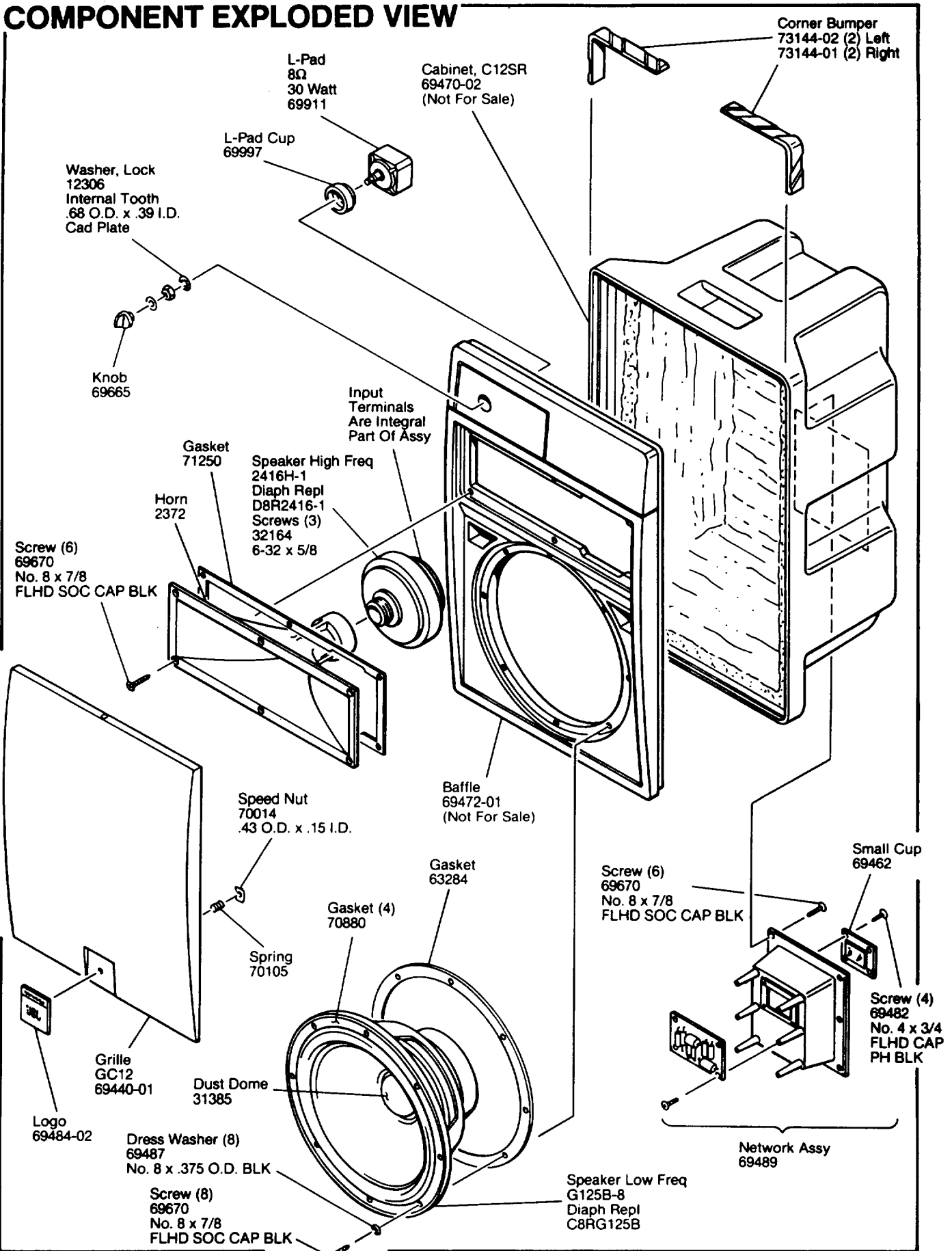
WIRING DIAGRAM



JBL CONTROL 12 SR REV D

JBL CONTROL 12SR

COMPONENT EXPLODED VIEW



JBL CONTROL 12 SR