

Technical Manual

JBL CONTROL 1/WH



SPECIFICATIONS

ACOUSTIC & ELECTRICAL SPECIFICATIONS:

- Nominal Impedance: 4 ohm
- Power Capacity: 150W Pink Noise
- Frequency Range: 70 Hz to 20 kHz (-10 dB)
- Sensitivity: 90 dB SPL *
- Crossover Frequencies: 6 kHz

SYSTEM COMPONENTS:

- Cabinet: C1001P
- Grille: C1004WH
- Low Frequency Transducer: 135mm (5.25 in.) Cone Transducer (C1003)
- DC Resistance: 2 ohm ±5% Copper Wire

SYSTEM COMPONENTS: (cont'd)

- High Frequency Transducer: 19mm (.75 in.) Polycarbonate Dome Tweeter (C1002)
- DC Resistance: 3.7 ohm ±5% Copper Wire
- Crossover Network: Passive Crossover, C1006

AURAL SWEEP TEST SPECIFICATIONS:

- A. System Aural Sweep Test: 7.0V Input, 20 Hz to 20 kHz
- B. L.F. Aural Sweep Test: 4.0V Input, 20 Hz to 1.2 kHz
- C. H.F. Aural Sweep Test: 2.0V Input, 2.0 Hz to 20 kHz

PHYSICAL SPECIFICATIONS:

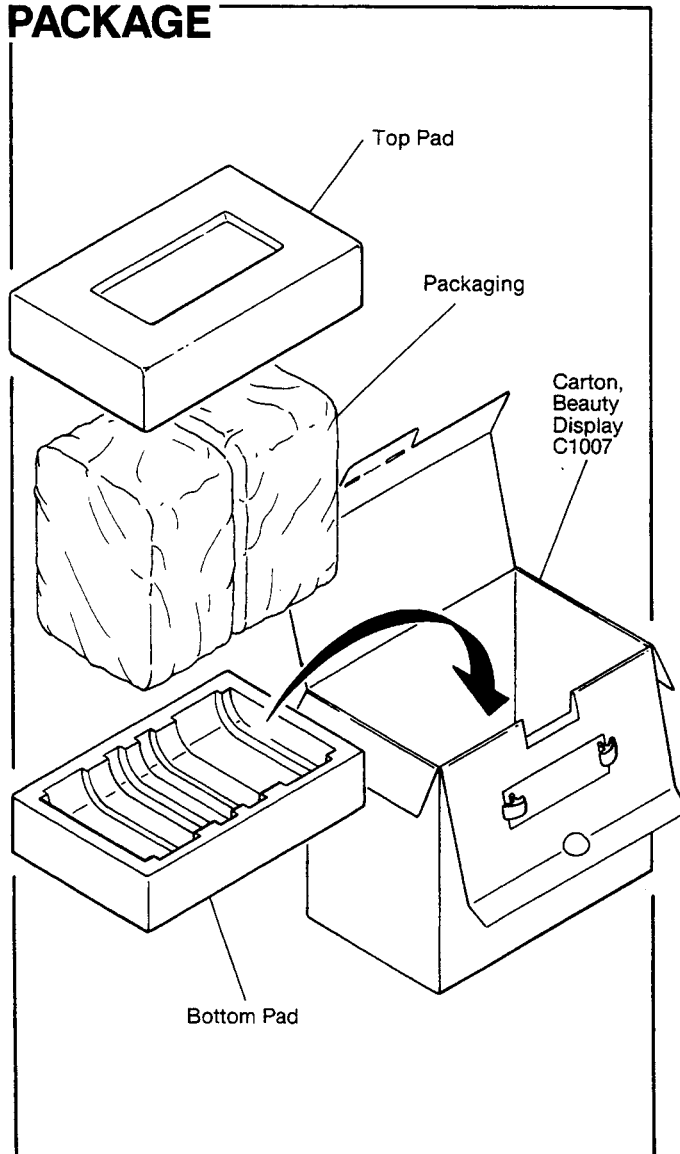
- Enclosure Dimensions: 235mm x 159mm x 143mm D (9.25 x 6.25 x 5.62 in. D)
- Shipping Weight: 10 lbs. (4.6 kg)

WARRANTY INFORMATION:

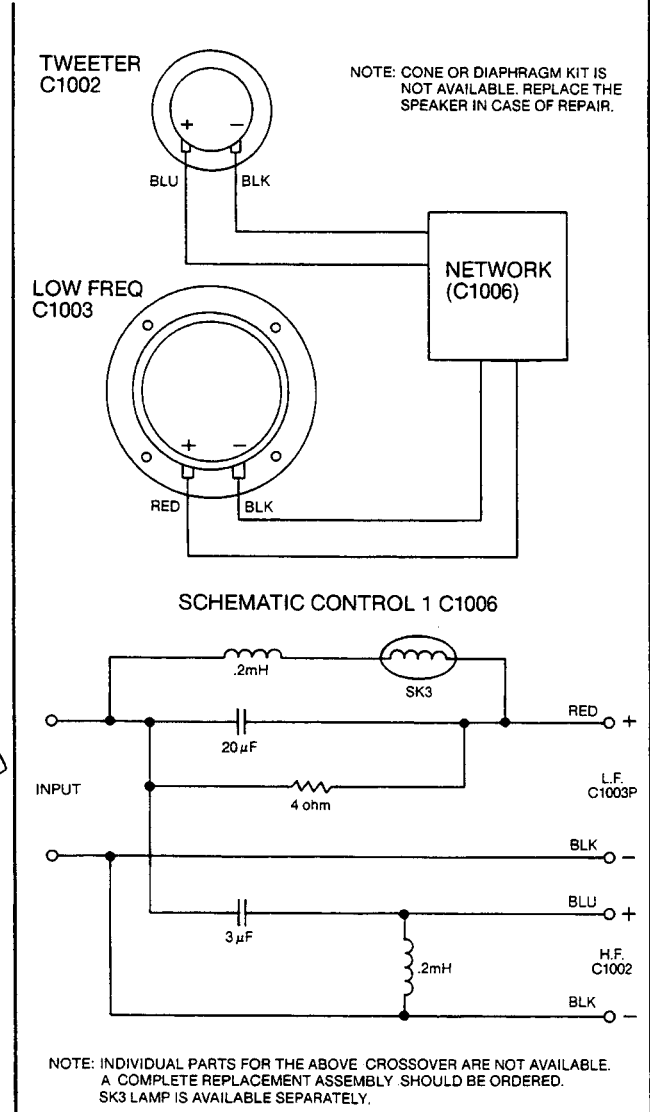
- Refer to the Warranty Statement packed with each product.

*1 Watt (2.0 V RMS) @ 1 Meter

PACKAGE



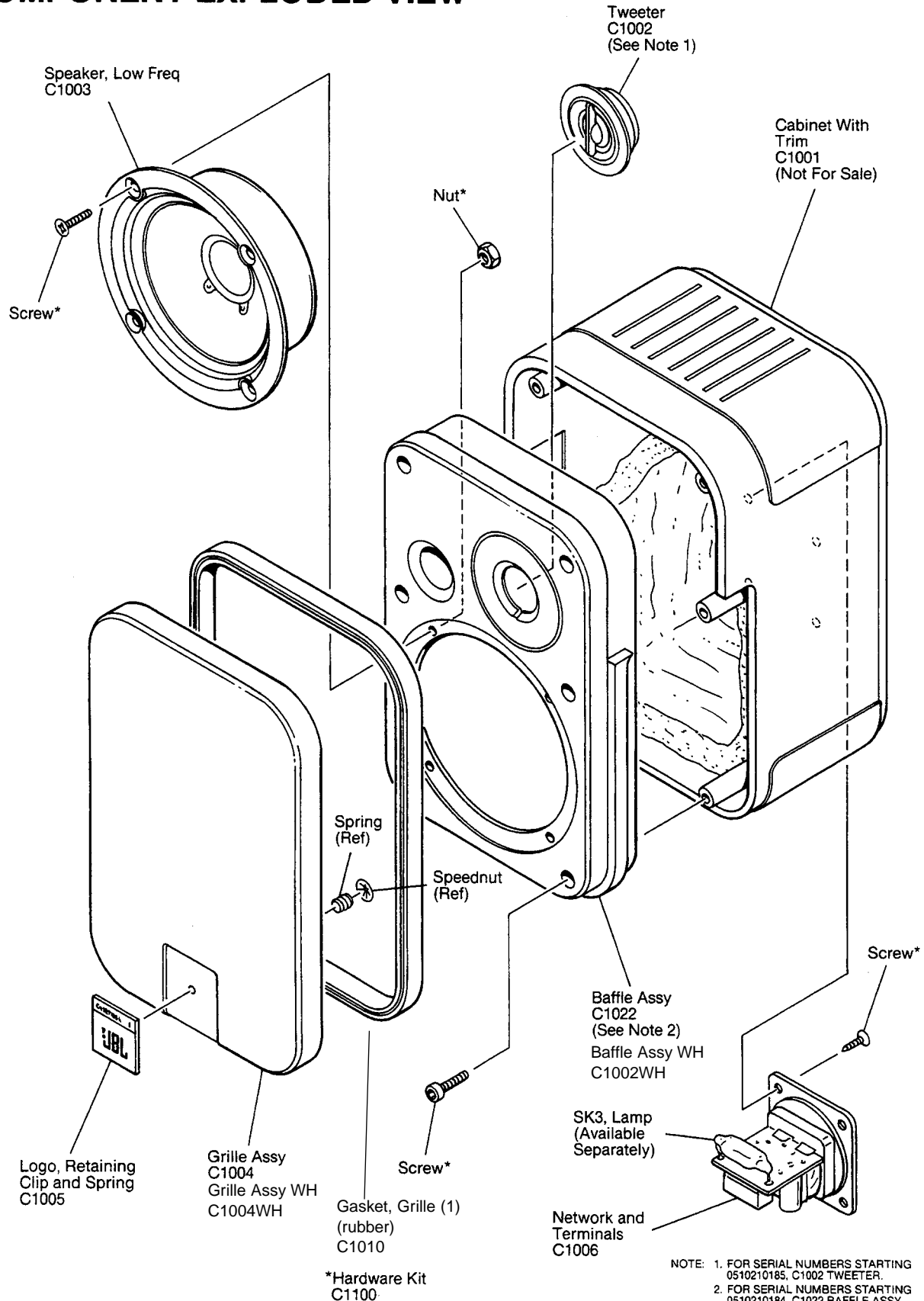
WIRING DIAGRAM



JBL CONTROL 1/WH REV D

JBL CONTROL 1/WH

COMPONENT EXPLODED VIEW



- NOTE: 1. FOR SERIAL NUMBERS STARTING 0510210185, C1002 TWEETER.
 2. FOR SERIAL NUMBERS STARTING 0510210184, C1022 BAFFLE ASSY.
 3. ORIGINAL TWEETER WAS PERMANENTLY ATTACHED TO FRONT BAFFLE AND MUST BE REPLACED AS AN ASSEMBLY.

JBL CONTROL 1/WH