

Technical Manual



JBL CONTROL 8SR/70/100

SPECIFICATIONS

ACOUSTIC & ELECTRICAL SPECIFICATIONS:

- Nominal Impedance: 4 ohm
- Power Capacity: 175W Continuous Pink Noise
- Frequency Response: 70 Hz to 16 kHz
- Sensitivity: 92 dB SPL*
- Crossover Frequency: 3 kHz

SYSTEM COMPONENTS:

- Cabinet: C8001 (Not For Sale)
- Grille: C8004
- Low Frequency Transducer: 200mm (8 in.) (C8003)
- DC Resistance: 3.4 ohm \pm 5% Copper Wire Compression Driver (C8002)
- High Frequency Transducer:
- DC Resistance: 5.4 ohm \pm 8% Aluminum Wire

SYSTEM COMPONENTS: (cont'd)

- Crossover Network: Passive C8006

AURAL SWEEP TEST SPECIFICATIONS:

- A. System Aural Sweep Test: 7.0V Input, 20 Hz to 20 kHz
- B. L.F. Aural Sweep Test: 6.0V Input, 20 Hz to 1.2 kHz
- C. H.F. Aural Sweep Test: 2.0V Input, 2 kHz to 20 kHz

PHYSICAL SPECIFICATIONS:

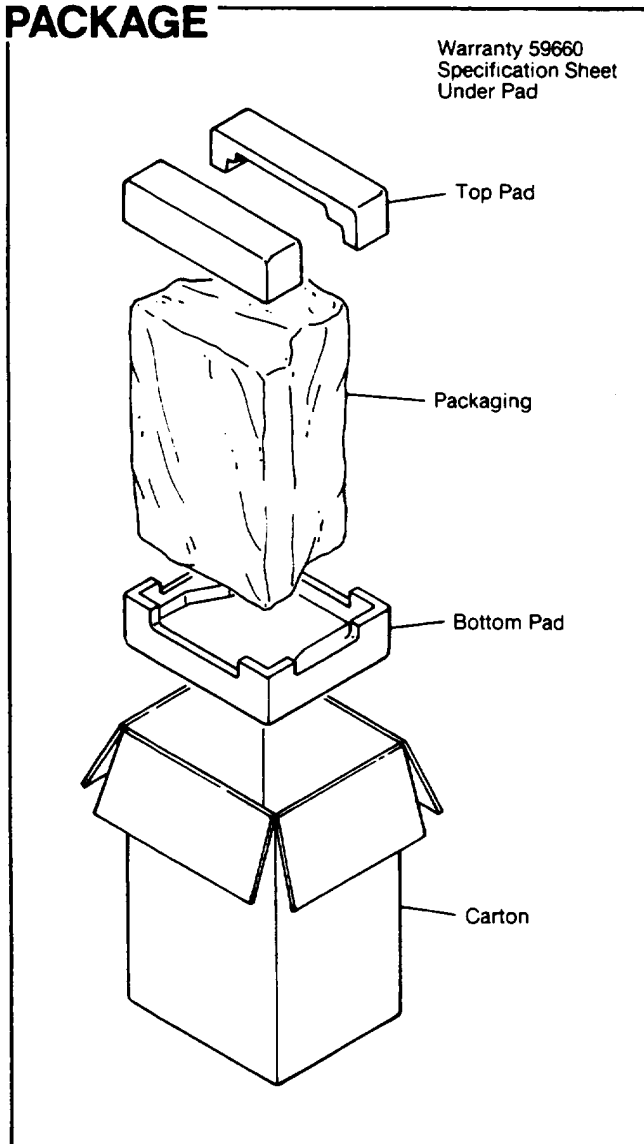
- Enclosure Dimensions: 387mm x 251mm x 229mm D (15.25 x 9.875 x 9.0 in. D)
- Shipping Weight: 13.7 lbs. (6.25 kg.)

WARRANTY INFORMATION:

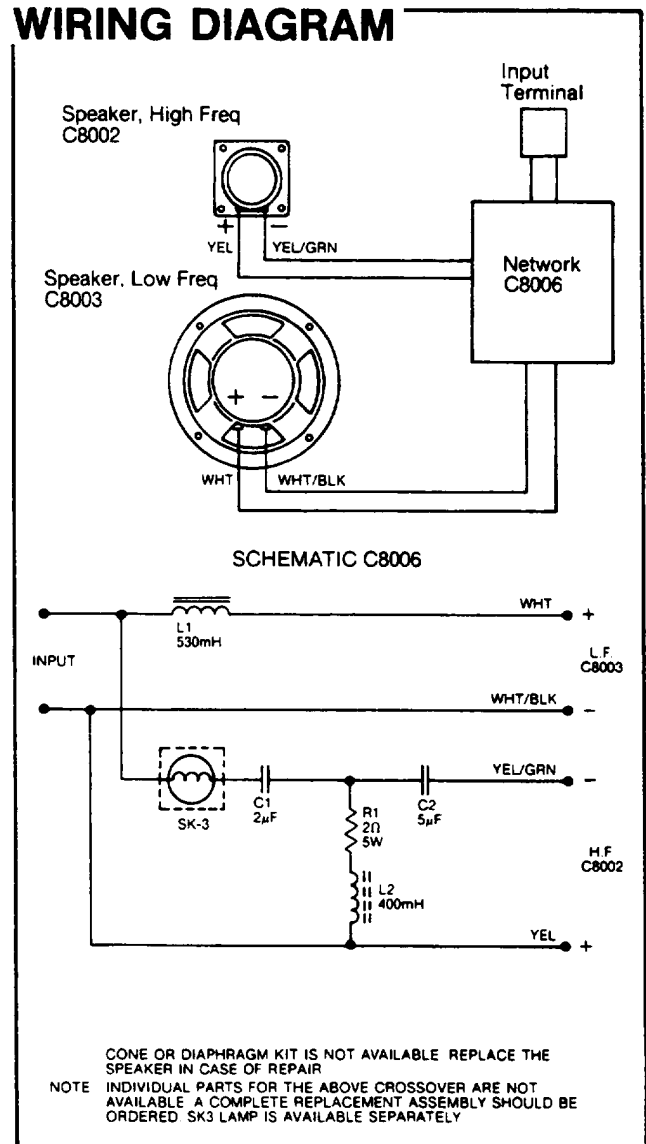
- Refer to the Warranty Statement packed with each product.

*1 Watt (2.0 V RMS) @ 1 Meter

PACKAGE

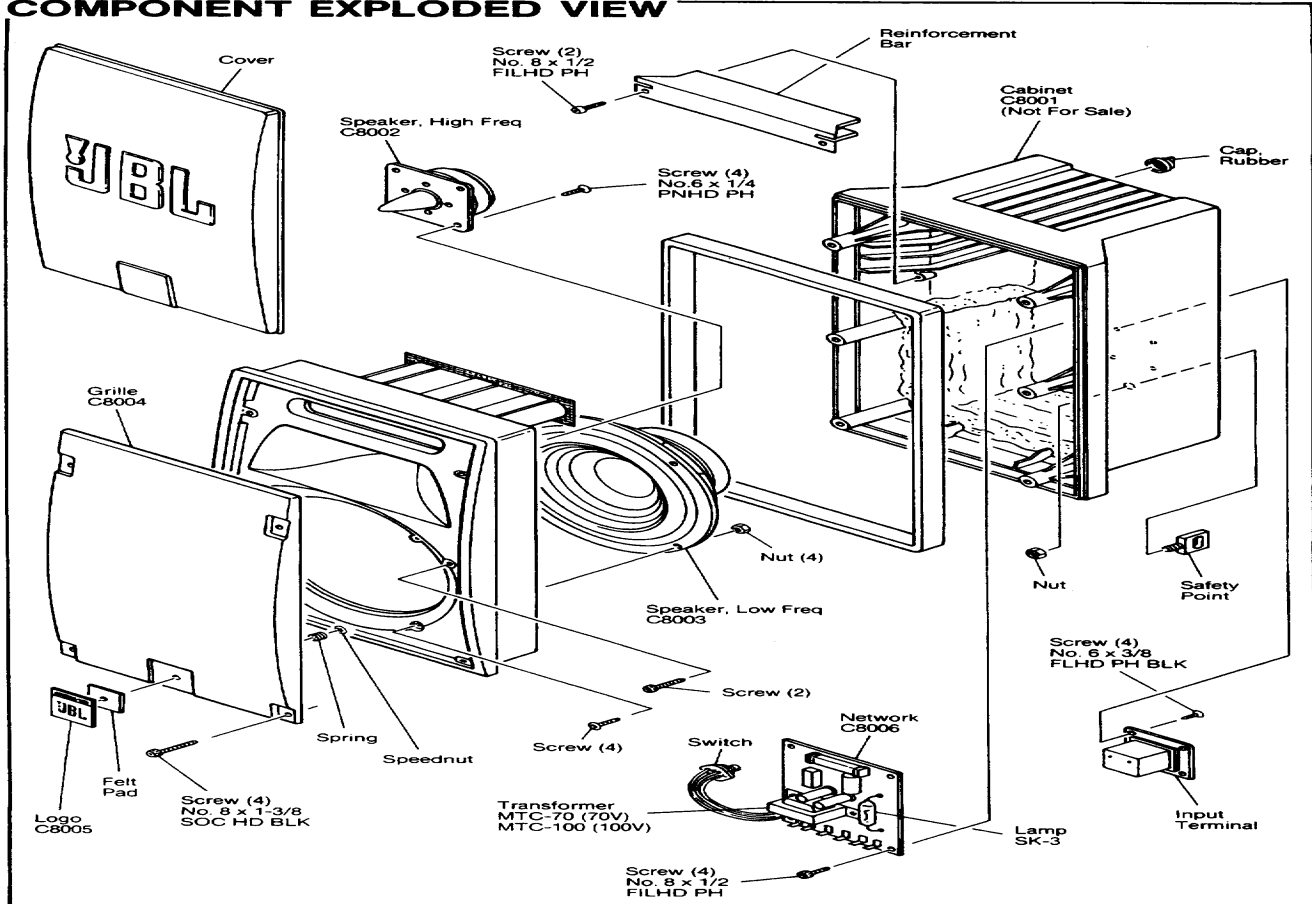


WIRING DIAGRAM



JBL CONTROL 8SR/70/100

COMPONENT EXPLODED VIEW



JBL CONTROL 8SR/70/100