

# Technical Manual

# JBL CONTROL CRV/WH

## SPECIFICATIONS



### ACOUSTIC & ELECTRICAL SPECIFICATIONS:

- Nominal Impedance: 4 Ohms
- Minimum Impedance: 4.0 Ohms @ 320 Hz
- Power Handling: 75W Continuous Pink Noise, 2 hrs  
60W Continuous Pink Noise, 100 hrs  
150W Continuous Program Power  
300W Continuous Peak Power
- Frequency Range: 80 Hz - 20 kHz (-10 dB) (half-space, on wall)  
60 Hz - 20 kHz quarter space, at two-wall junctions
- Nominal Sensitivity: 89 dB
- Maximum SPL @1m: 108 dB continuous average long-term (peaks of 114 dB)
- Crossover Frequency and Type: 2 kHz - 36 dB/octave tweeter, 18 dB/octave woofers

### SYSTEM COMPONENTS:

- Cabinet: Enclosure (Not for Sale)
- Grille: 443589-001, 443580-001 (WH)
- Low Frequency Driver: Dual 4" (100 mm) Poly Plas,™ shielded woofer with dual neodymium and 32 mm (1.25 in) voice coil on a vented aluminum former

### SYSTEM COMPONENTS: (CONT'D)

- DC Resistance: 6.9 ohms ± 10%
- High Frequency Driver: 3/4" (19 mm) Titanium-laminate dome tweeter, shielded neodymium magnet Ferrofluid® cooling  
3.1 ohms ± 10%

### AURAL SWEEP TEST SPECIFICATIONS:

- A. System Aural Sweep Test: 6.0V Input, 60 Hz - 20 kHz
- B. L.F. Aural Sweep Test: 5.0V Input, 80 Hz - kHz
- C. H.F. Aural Sweep Test: 5.0V Input, 2 kHz - 20 kHz

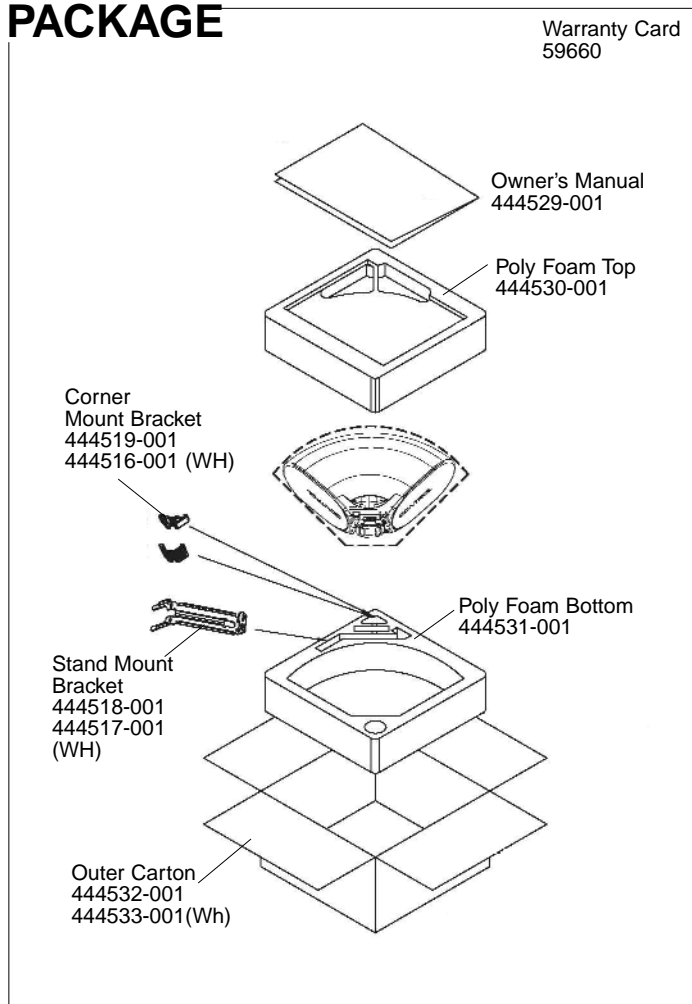
### PHYSICAL SPECIFICATIONS:

- Enclosure Dimensions: 364mm (14.4 in) wide, 251 mm (9.9 in) max depth including wall bracket, 262 mm (10.3 in) side depth, 127 mm (5 in) height
- Net Weight: 7.0 lb (3.2 kg)

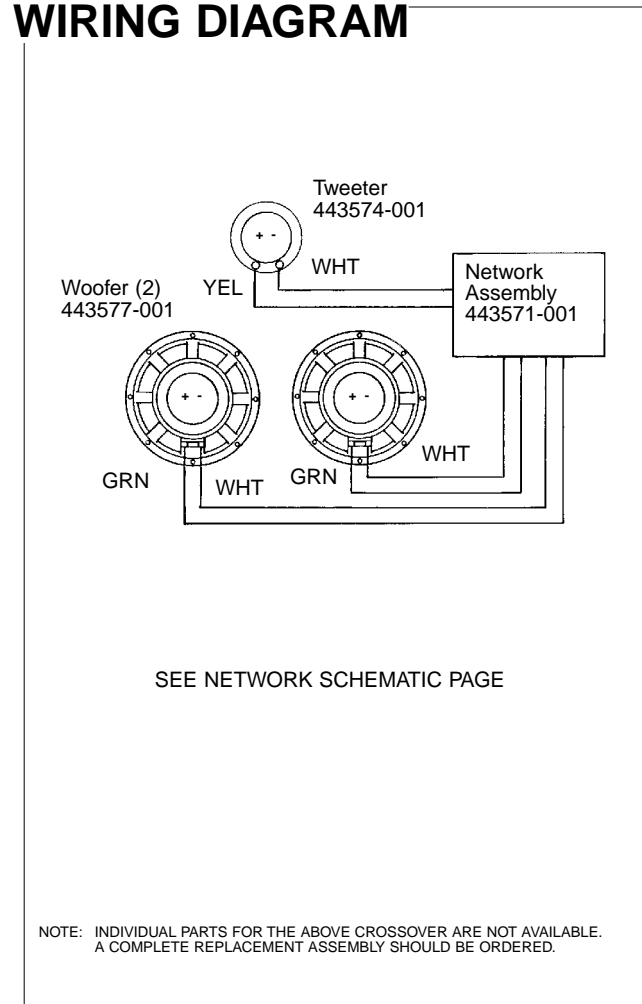
### WARRANTY INFORMATION:

- Refer to Warranty Statement packed with each product.
- Transformer Taps: 30W, 15W, 7.5W at both 7.0V and 100V (plus 3.8W at 70V only)  
Thru position is 4 ohms

## PACKAGE



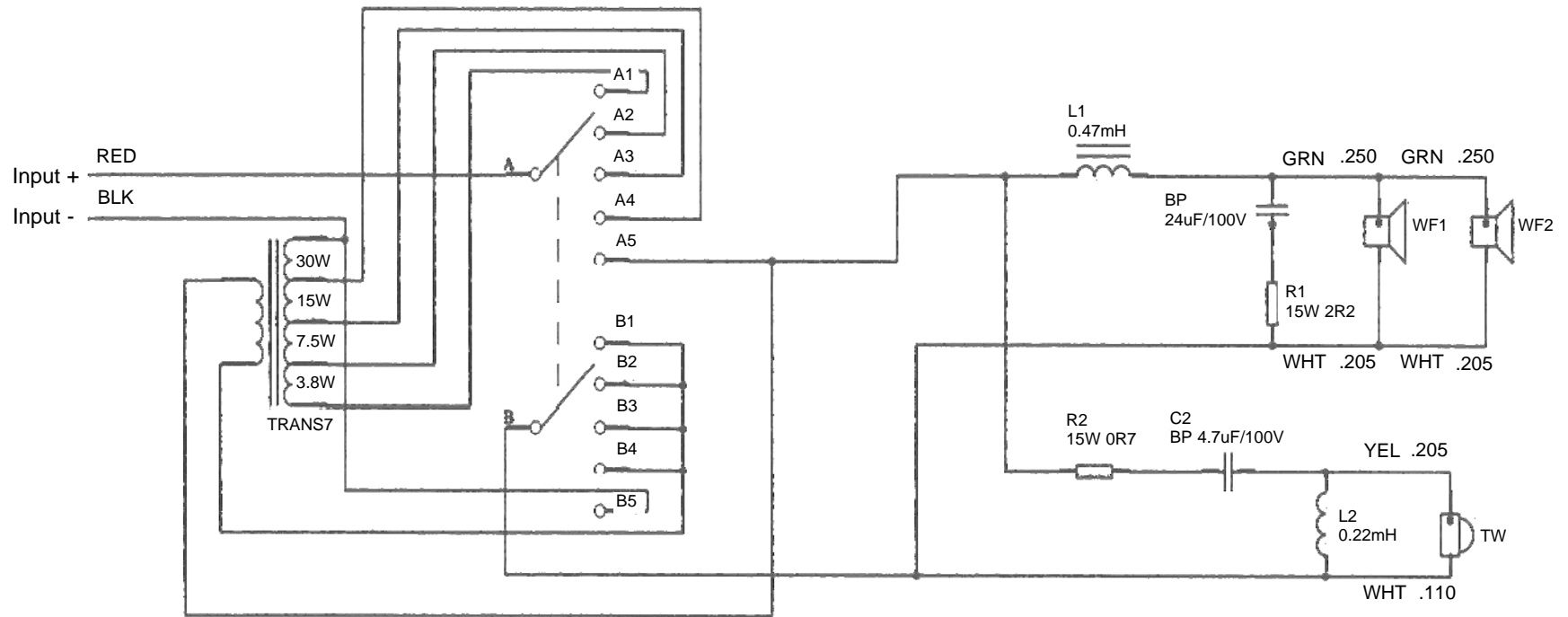
## WIRING DIAGRAM



JBL CONTROL CRV/WH REVA

# JBL CONTROL CRV/WH

SCHEMATIC (443571--001)

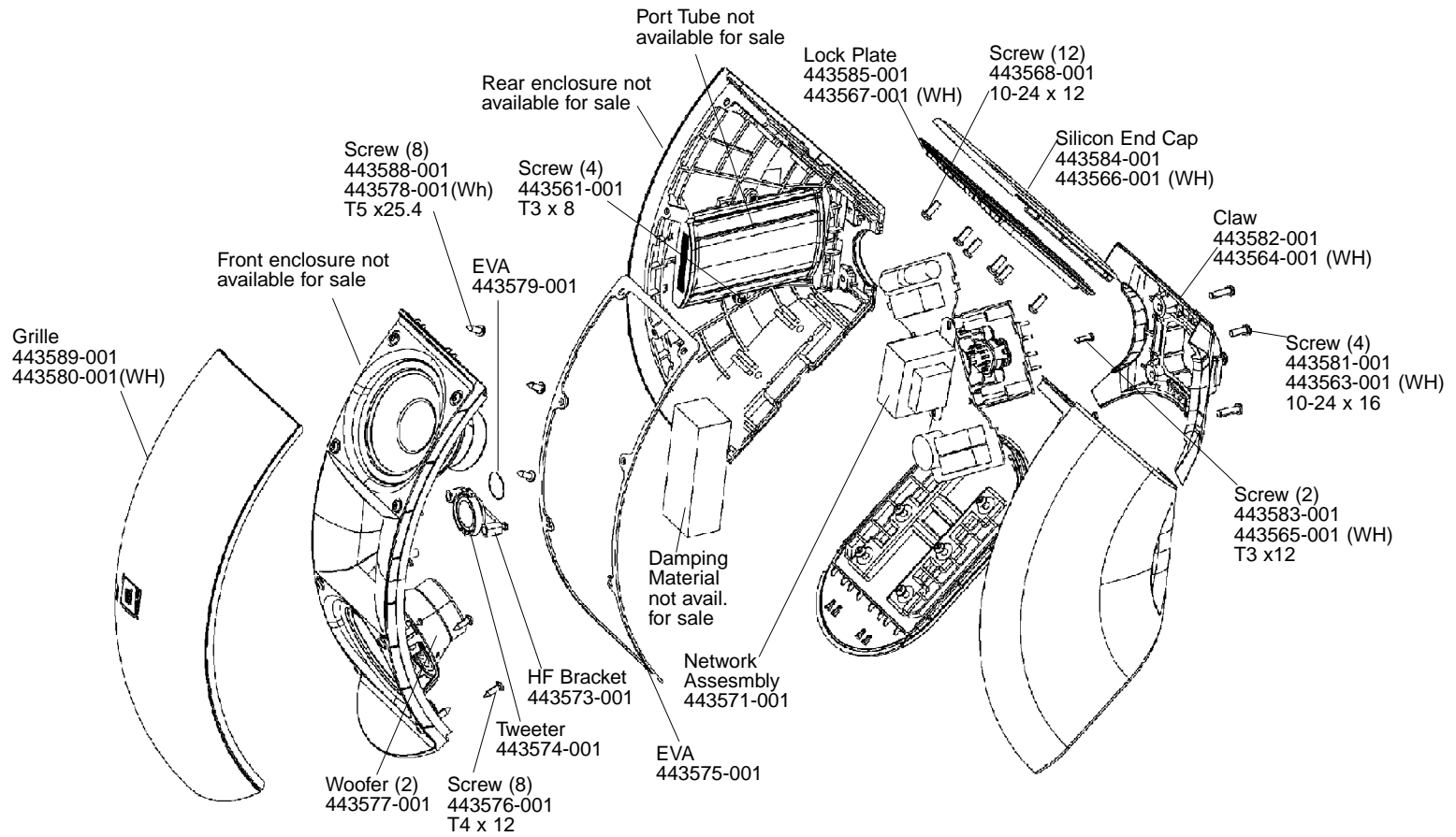


Individual Parts for the above crossover are not available.  
A complete replacement assembly should be ordered.

JBL CONTROL CRV/WH

# JBL CONTROL CRV/WH

## COMPONENT EXPLODED VIEW



JBL CONTROL CRV/WH