

# Technical Manual

# JBL CONTROL MICRO



## SPECIFICATIONS

### ACOUSTIC & ELECTRICAL SPECIFICATIONS:

- Nominal Impedance: 4 ohm
- Power Capacity: 40W IEC Filtered Noise
- Frequency Range: 100 Hz to 20 kHz (-10dB)
- Sensitivity: 88 dB SPL\*
- Crossover Frequencies: N/A

### SYSTEM COMPONENTS:

- Cabinet: C Control Micro (71147-01)
- Grille: G Control Micro (71146-03)
- Low Frequency Transducer: 102mm (4 in.) (304GS) (71179)

\*1 Watt (2.0 V RMS) @ 1 Meter

### SYSTEM COMPONENTS: (cont'd)

- DC Resistance: 3.65 ohm ± 5% Copper Wire
- Crossover Network: N Control Micro (71181)

### AURAL SWEEP TEST SPECIFICATIONS:

- A. System Aural Sweep Test: 7.0V Input, 20 Hz to 20 kHz
- B. L.F. Aural Sweep Test: 4.0V Input, 20 Hz to 1.2 kHz

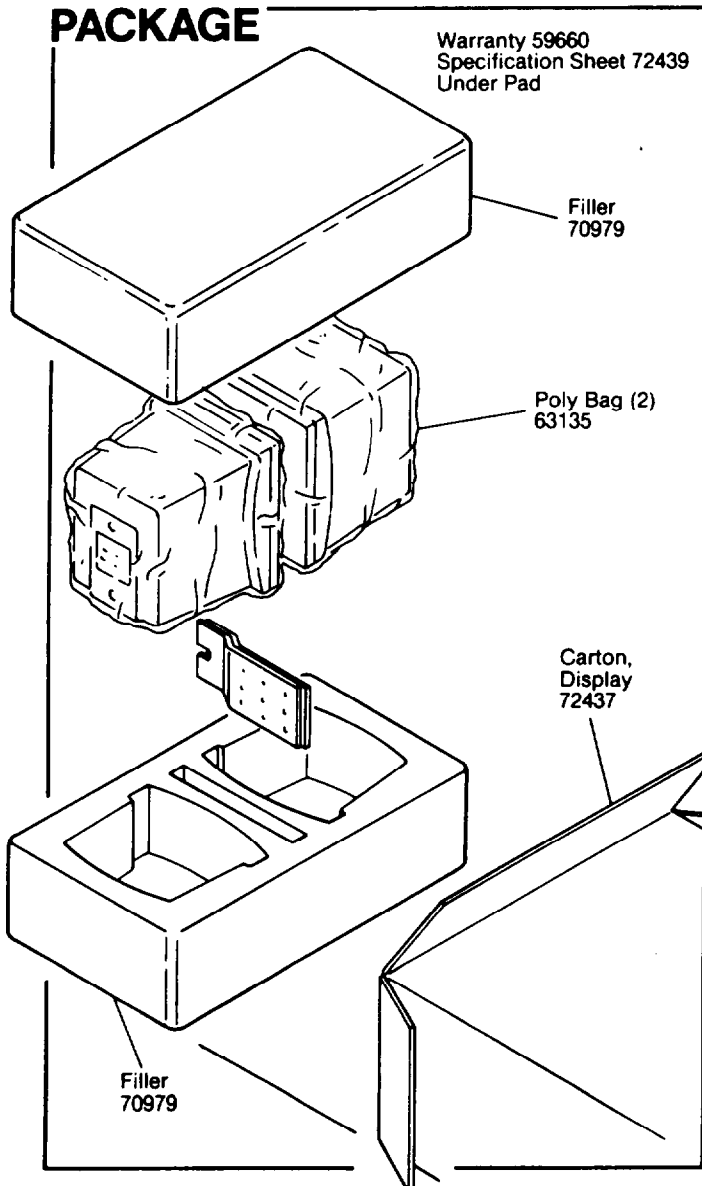
### PHYSICAL SPECIFICATIONS:

- Enclosure Dimensions: 159mm x 152mm x 140mm D (6.25 x 6.0 x 5.5 in. D)
- Shipping Weight: 7.2 lbs./pair (3.3kg)

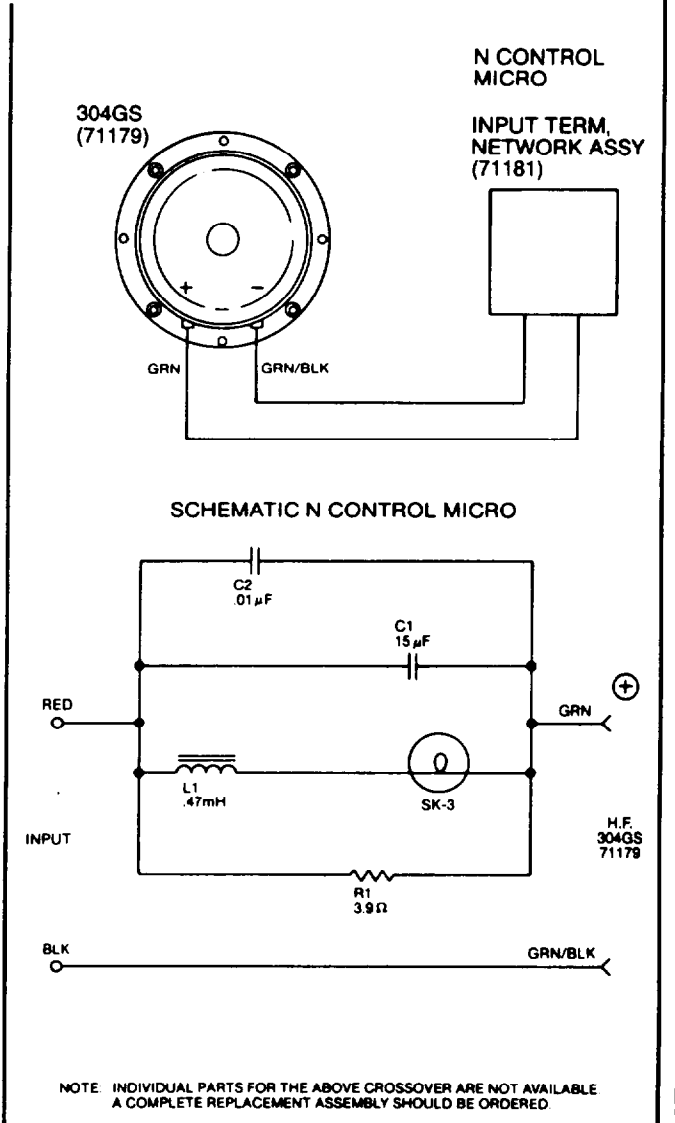
### WARRANTY INFORMATION:

- Refer to the Warranty Statement packed with each product.

## PACKAGE



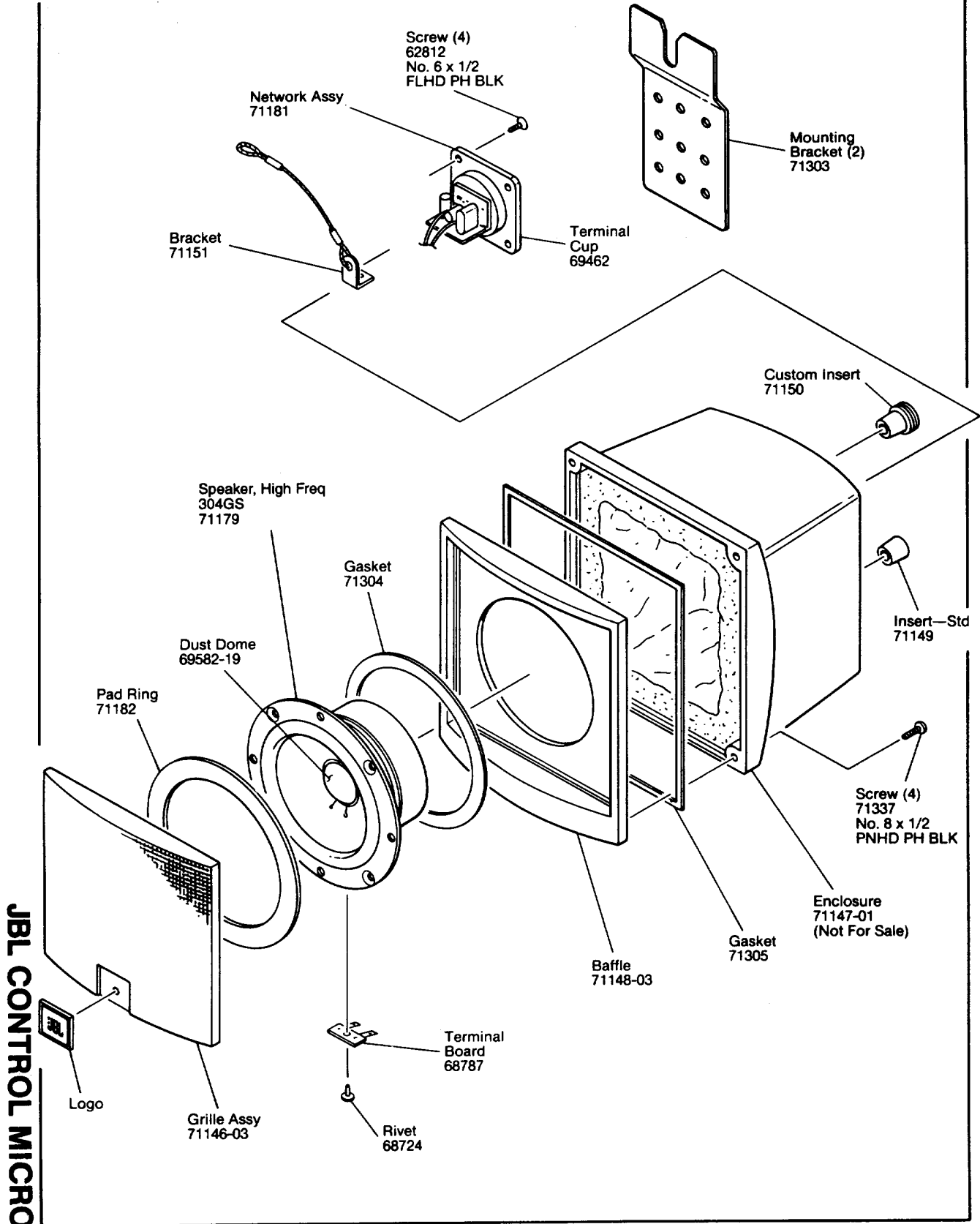
## WIRING DIAGRAM



JBL CONTROL MICRO REV C

# JBL CONTROL MICRO

## COMPONENT EXPLODED VIEW



JBL CONTROL MICRO