

# Technical Manual

# JBL CONTROL SB MICRO



## SPECIFICATIONS

### ACOUSTIC & ELECTRICAL SPECIFICATIONS:

- Nominal Impedance: 4 ohm
- Power Capacity: 100W IEC Filtered Noise
- Frequency Range: 38 Hz to 260 Hz (-10dB)
- Sensitivity: 88 dB SPL\*
- Crossover Frequencies: 225 Hz

### SYSTEM COMPONENTS:

- Cabinet: C Control SB Micro
- Grille: N/A
- Low Frequency Transducer: 200mm (8 in.) (308SW)

\*1 Watt (2.0 V RMS) @ 1 Meter

### SYSTEM COMPONENTS: (cont'd)

- DC Resistance: 5.0 ohm  $\pm$  5% Copper Wire
- Crossover Network: N Control SB Micro (72238)

### AURAL SWEEP TEST SPECIFICATIONS:

- A. System Aural Sweep Test: 7.0V Input, 20 Hz to 20 kHz
- B. L.F. Aural Sweep Test: 4.0V Input, 20 Hz to 1.2 kHz

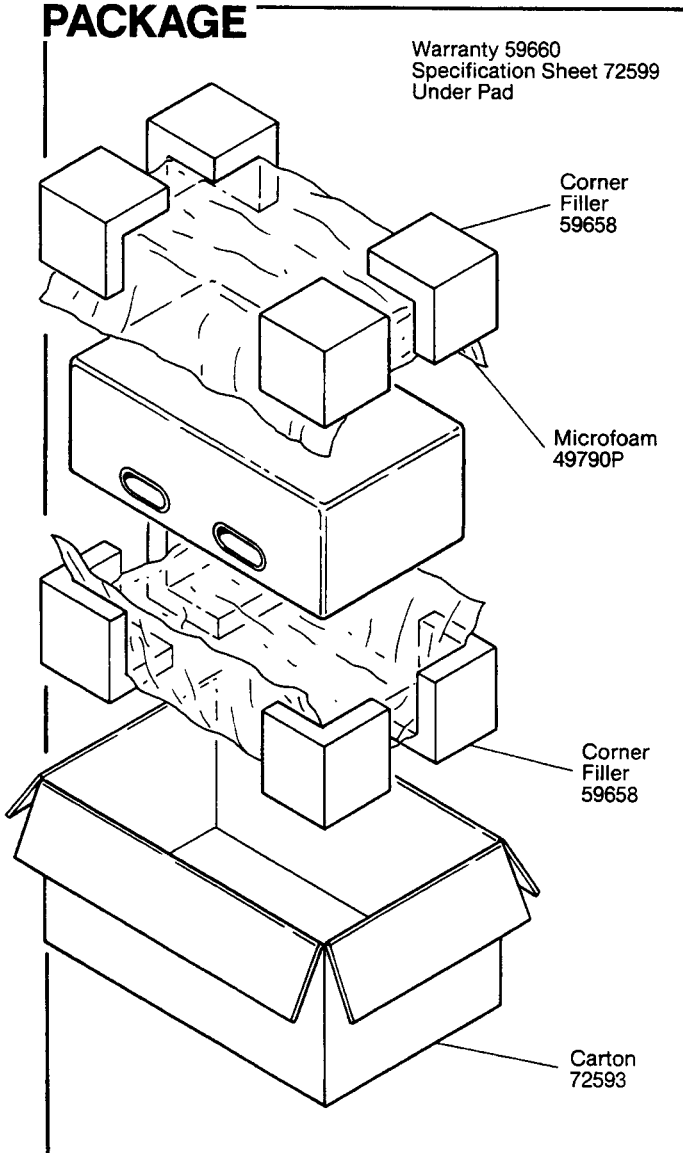
### PHYSICAL SPECIFICATIONS:

- Enclosure Dimensions: 190mm x 508mm x 292mm D (7.5 x 20.0 x 11.5 in. D)
- Shipping Weight: 14 lbs. (6.4 kg)

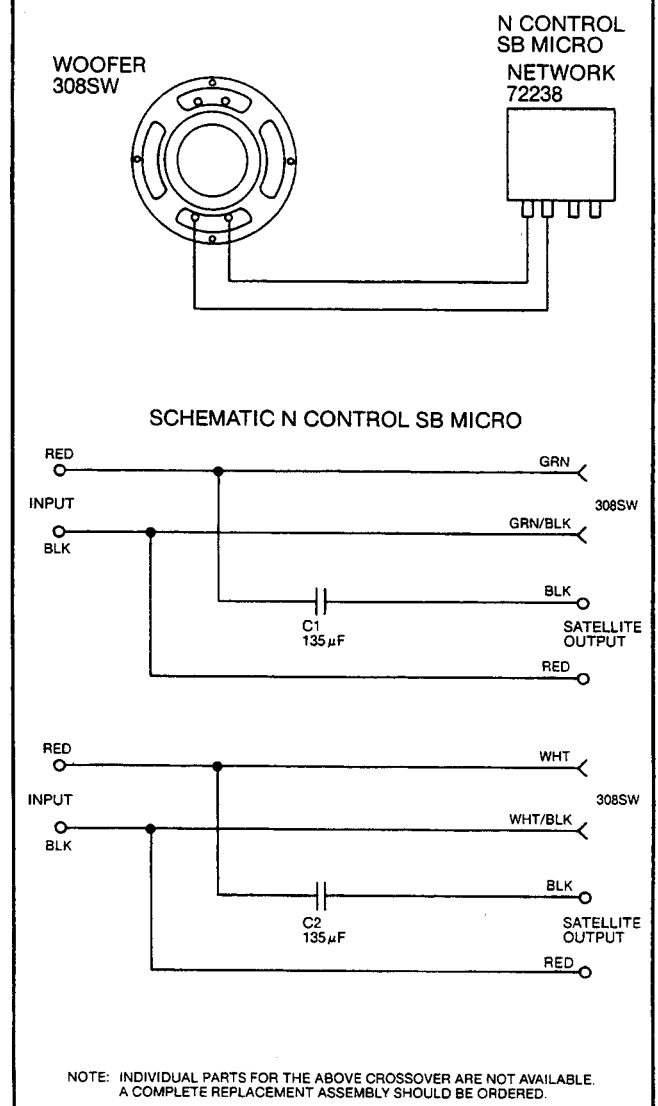
### WARRANTY INFORMATION:

- Refer to the Warranty Statement packed with each product.

## PACKAGE



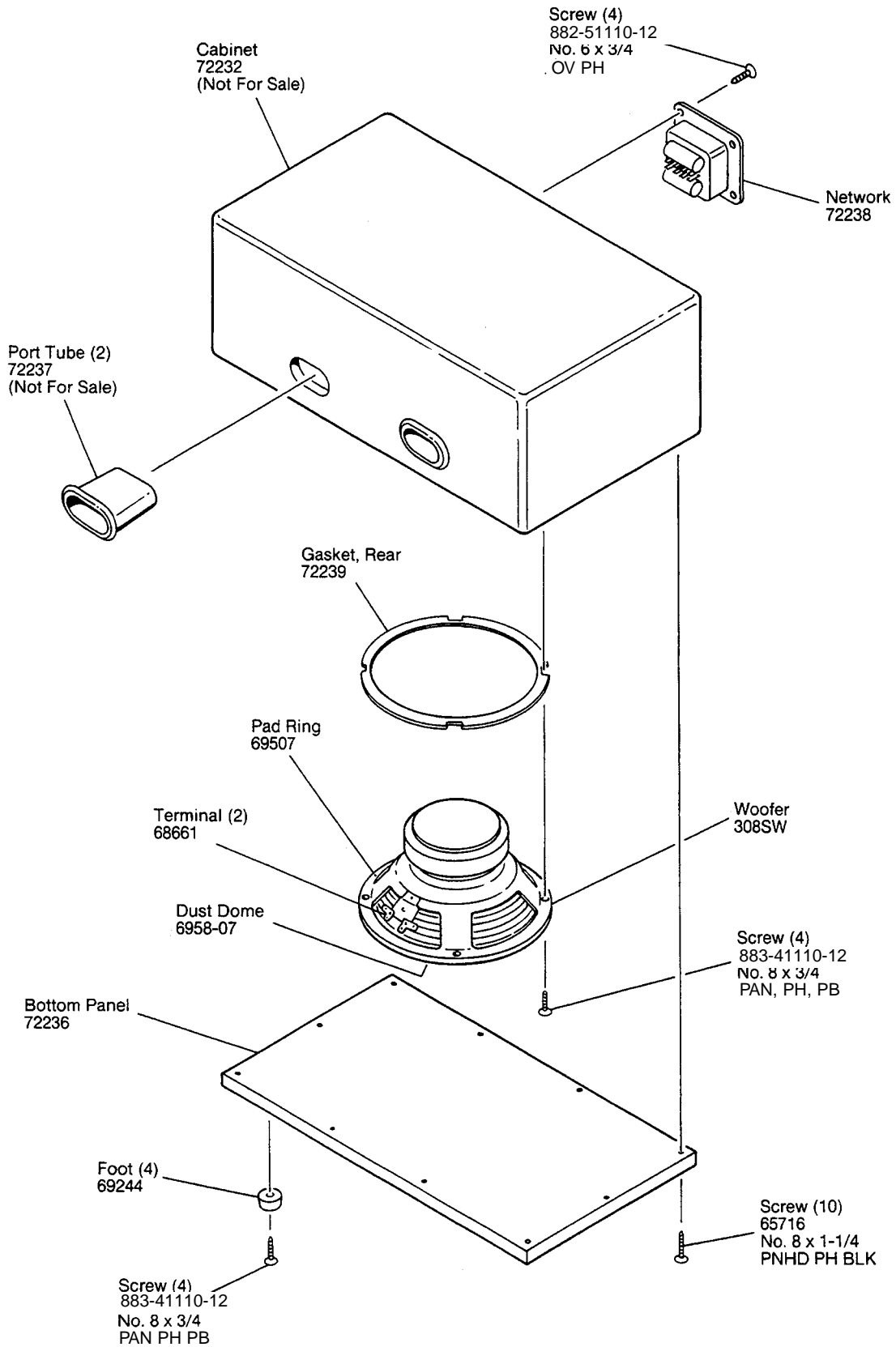
## WIRING DIAGRAM



JBL CONTROL SB MICRO REV C

# JBL CONTROL SB MICRO

## COMPONENT EXPLODED VIEW



JBL CONTROL SB MICRO