

# Technical Manual

# JBL CONTROL SB-1



## SPECIFICATIONS

### ACOUSTIC & ELECTRICAL SPECIFICATIONS:

- Nominal Impedance: 4 ohm
- Power Capacity: 300W
- Frequency Range: 50 Hz to 200 Hz (-10 dB)
- Sensitivity: 90 dB SPL\*
- Crossover Frequencies: 125 Hz

### SYSTEM COMPONENTS:

- Cabinet: N/A
- Grille: N/A
- Low Frequency Transducer: 135mm (5.25 in.) Cone Transducer (CSB-1003) (4)
- DC Resistance: 2 ohm ±5% Copper Wire

\*1 Watt (2.0 V RMS) @ 1 Meter

### SYSTEM COMPONENTS: (cont'd)

- Crossover Network: N Control SB-1 (270132)

### AURAL SWEEP TEST SPECIFICATIONS:

- A. System Aural Sweep Test: 7.0V Input, 20 Hz to 20 kHz
- B. L.F. Aural Sweep Test: 6.0V Input, 20 Hz to 1.2 kHz

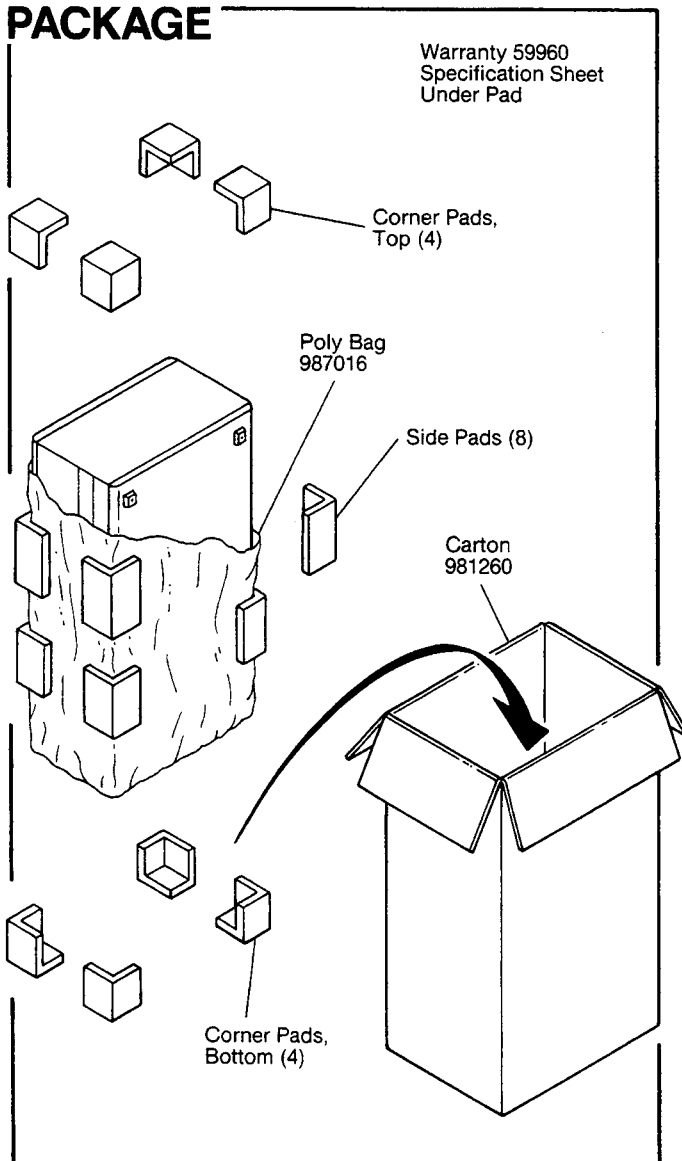
### PHYSICAL SPECIFICATIONS:

- Enclosure Dimensions: 290mm x 555mm x 170mm D (11.42 x 21.85 x 6.7 in. D)
- Shipping Weight: 27.6 lbs. (12.5 kg)

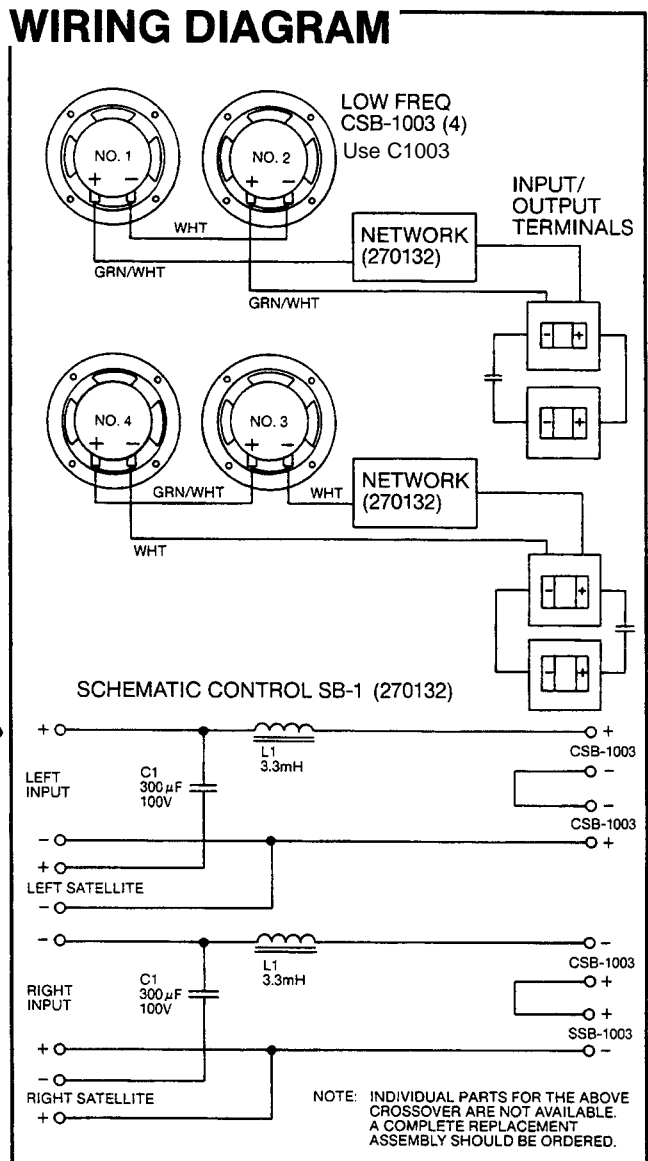
### WARRANTY INFORMATION:

- Refer to the Warranty Statement packed with each product.

## PACKAGE



## WIRING DIAGRAM

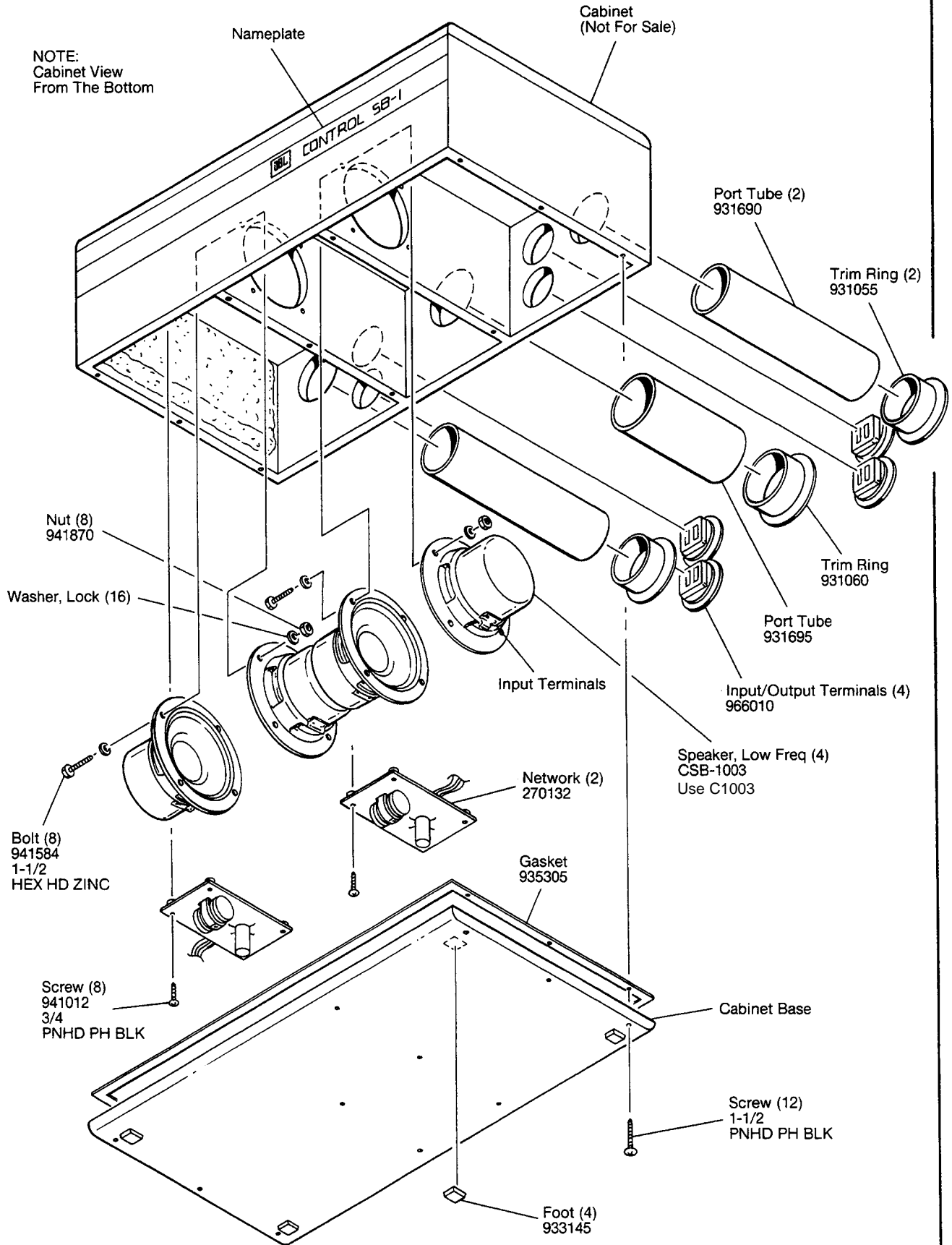


JBL CONTROL SB-1 REV B

# JBL CONTROL SB-1

## COMPONENT EXPLODED VIEW

NOTE:  
Cabinet View  
From The Bottom



JBL CONTROL SB-1