

Technical Manual

JBL CONTROL SB-5

SPECIFICATIONS



ACOUSTIC & ELECTRICAL SPECIFICATIONS:

- Nominal Impedance: 4 ohm
- Power Capacity: 350W
- Frequency Range: 45 Hz to 175 Hz (-10 dB)
- Sensitivity: 91 dB SPL*
- Crossover Frequencies: 125 Hz

SYSTEM COMPONENTS:

- Cabinet: N/A
- Grille: N/A
- Low Frequency Transducer: 165mm (5.5 in.) Cone Transducer (CSB-5003) (4)
- DC Resistance: 3.4 ohm \pm 5% Copper Wire

*1 Watt (2.0 V RMS) @ 1 Meter

SYSTEM COMPONENTS: (cont'd)

- Crossover Network: N Control SB-5 (270140)

AURAL SWEEP TEST SPECIFICATIONS:

- A. System Aural Sweep Test: 7.0V Input, 20 Hz to 20 kHz
- B. L.F. Aural Sweep Test: 6.0V Input, 20 Hz to 1.2 kHz

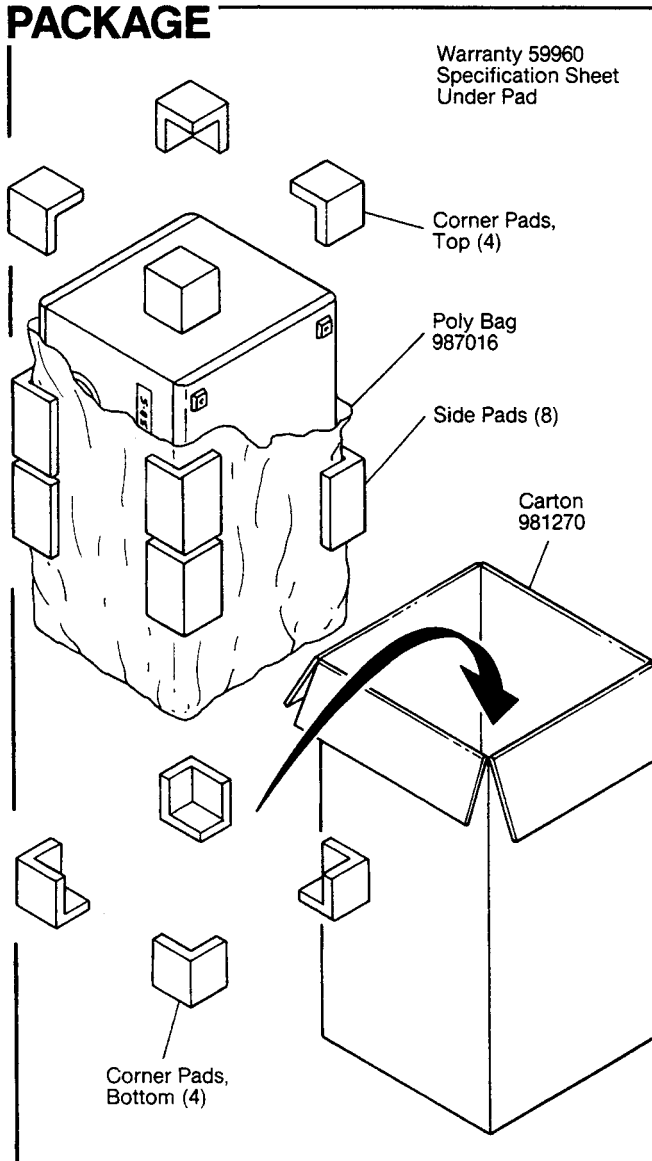
PHYSICAL SPECIFICATIONS:

- Enclosure Dimensions: 330mm x 595mm x 315mm D (13.0 x 23.4 x 12.4 in. D)
- Shipping Weight: 44 lbs. (20 kg)

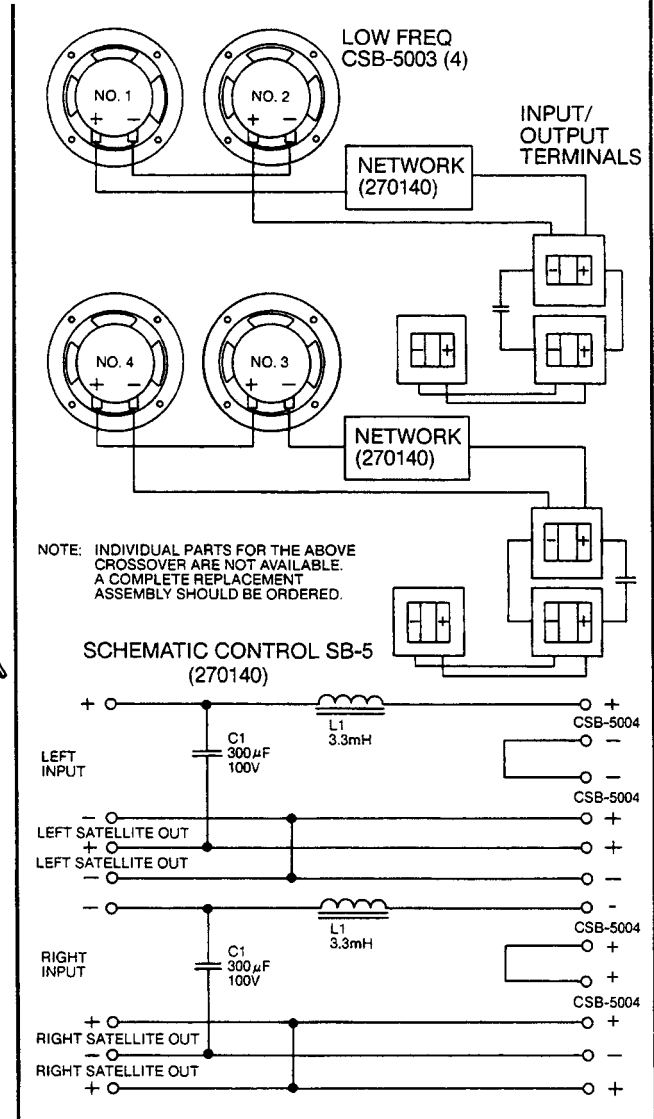
WARRANTY INFORMATION:

- Refer to the Warranty Statement packed with each product.

PACKAGE



WIRING DIAGRAM



JBL CONTROL SB-5 REV A

JBL CONTROL SB-5

COMPONENT EXPLODED VIEW

