

DRAWING NUMBER ISSUE

626SB 2b

JBL Professional
8500 Balboa Blvd.
Northridge, CA 91329
tel: (818) 894-8850
fax: (818) 891-9619

TITLE: FRONT PANEL MODULE

SHEET 1 OF 1

FILENAME: 626SB2B.SCH

DRAWN: AW/Lam

DATE: 02/05/97

CHECKED:

MATERIAL:

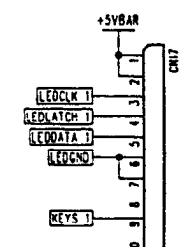
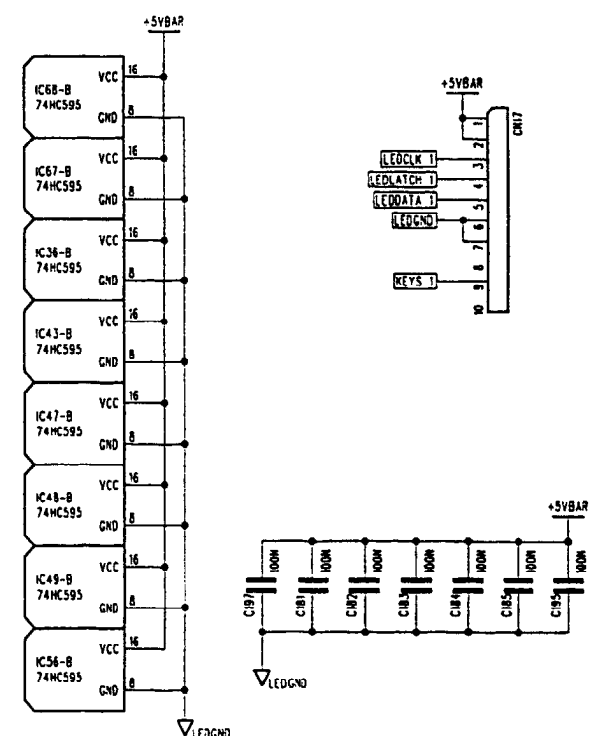
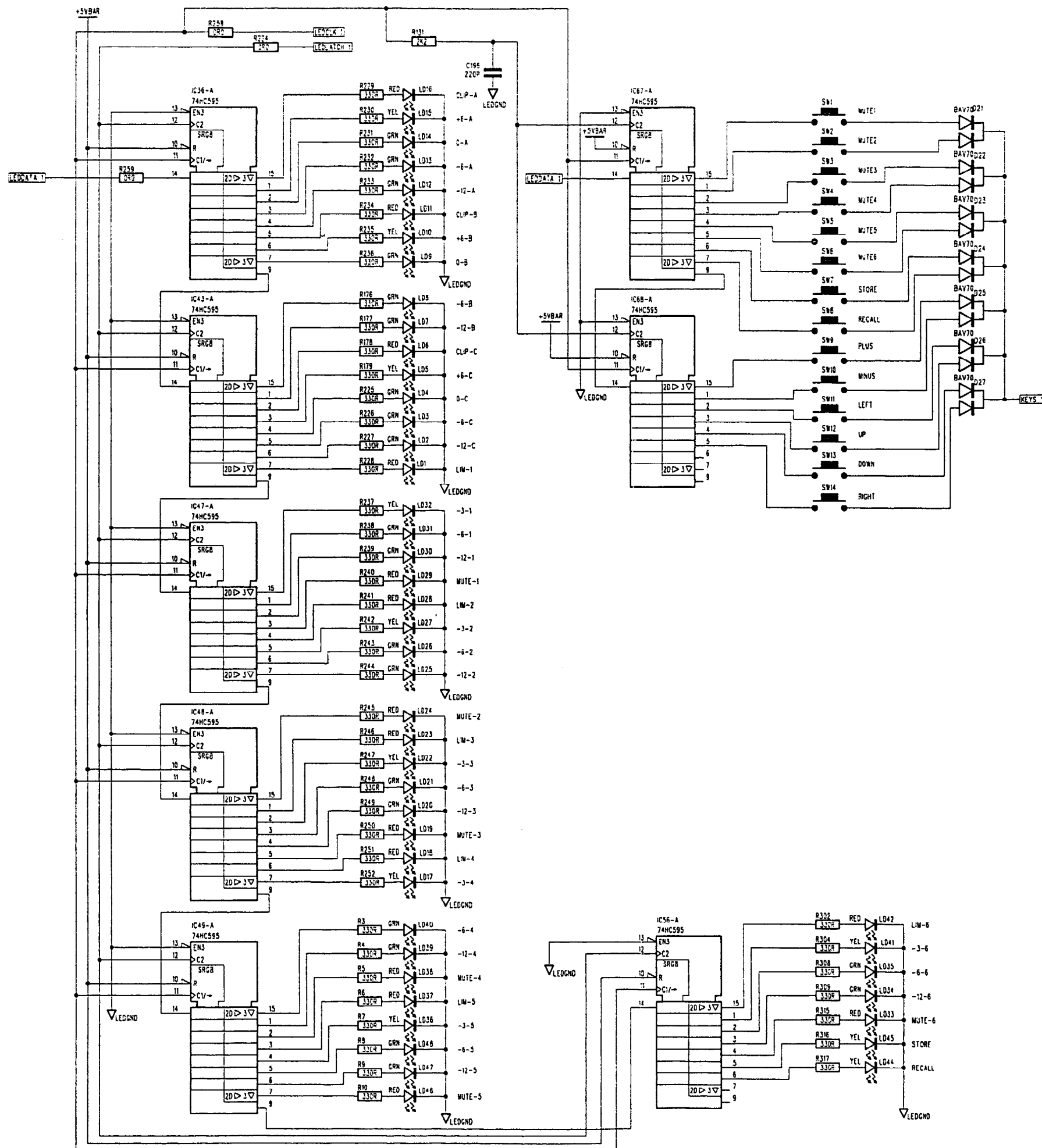
FINISH:

ISSUE COMMENTS:

- 2a. ECN6170 R224,258,259 WERE 330R
2b. ECN6201 R224,258,259 WERE 10R
R131 WAS 1K0, C196 WAS 1N0

PART NUMBER:

THIS DRAWING IS THE COPYRIGHT OF BSS Audio Ltd. ALL REPRODUCTION AND COPYING, OTHER THAN THAT FOR LICENCED MANUFACTURERS OWN INTERNAL USE, OR DISCLOSURE OF PART OR WHOLE TO A THIRD PARTY WITHOUT PRIOR WRITTEN AUTHORISATION IS IN VIOLATION OF THE COPYRIGHT. © BSS Audio Ltd 1994



JBL Professional
 8500 Balboa Blvd.
 Northridge, CA 91329
 tel: (818) 894-8850
 fax: (818) 891-9619

TITLE: **DSP MODULE**

SHEET 7

FILENAME: **626SA3.SCH**

DRAWN: **AW/Lam**

DATE: **23/05/97**

CHECKED:

MATERIAL:

FINISH:

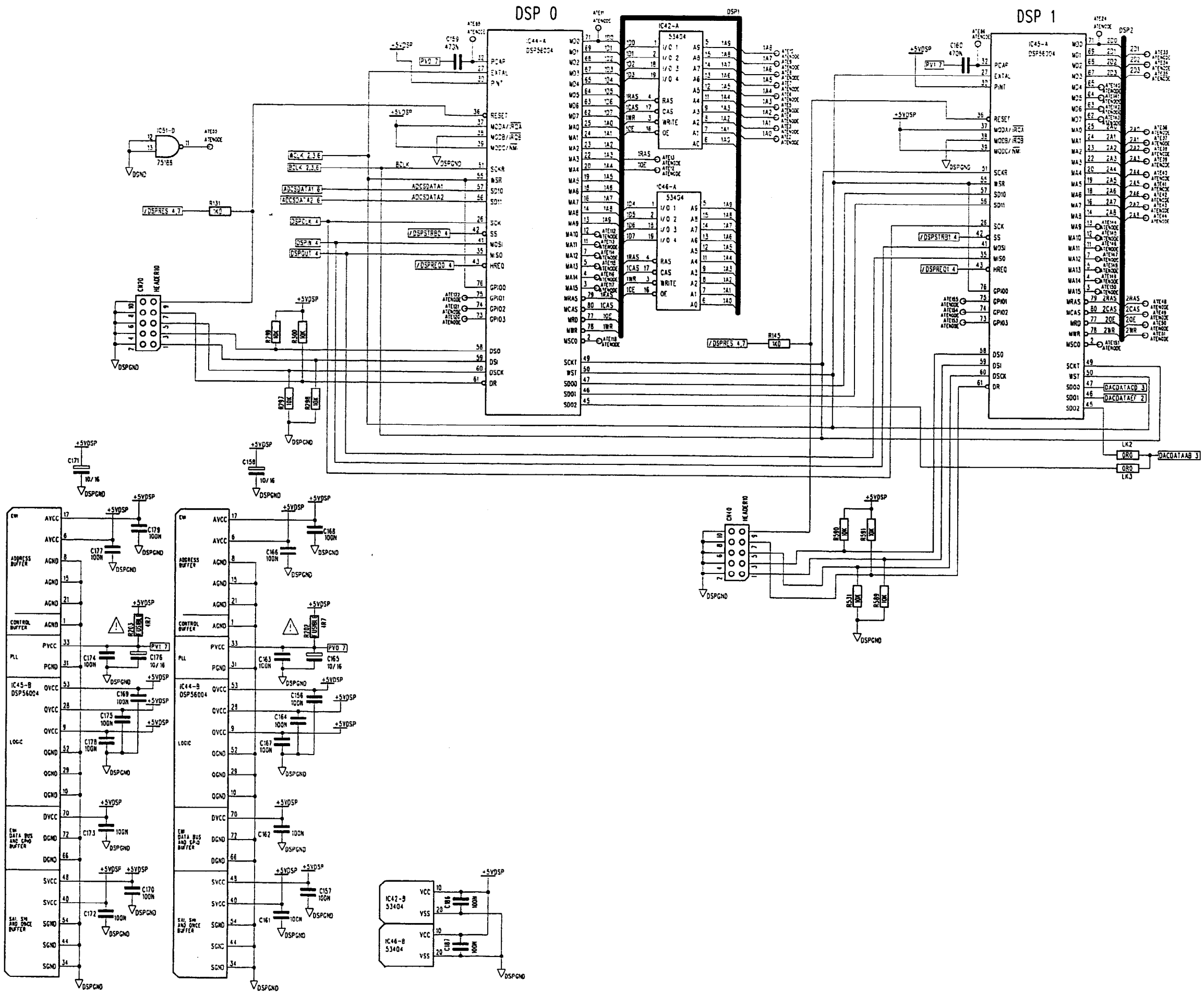
ISSUE COMMENTS:

- 2a. ECN6146 7/3/97
- 2b. ECN6170 - R212 WAS 2K2, R222 WAS 5K1
- 2c. ECN6215 R1003 WAS NOT FITTED
3. ECN6210 23/05/97

A2

PART NUMBER:

THIS DRAWING IS THE COPYRIGHT OF BSS Audio Ltd. ALL REPRODUCTION AND COPYING, OTHER THAN THAT FOR LICENCED MANUFACTURES OWN INTERNAL USE, OR DISCLOSURE OF PART OR WHOLE TO A THIRD PARTY WITHOUT PRIOR WRITTEN AUTHORISATION IS IN VIOLATION OF THE COPYRIGHT.
 © BSS Audio Ltd 1994



ANY COMPONENT BEARING THIS MARK IS SAFETY CRITICAL PLEASE REFER TO SERVICE MANUAL

JBL Professional
 8500 Balboa Blvd.
 Northridge, CA 91329
 tel: (818) 894-8850
 fax: (818) 891-9619

TITLE: MIDI MODULE

FILENAME: 626SA3.SCH

DRAWN BY: AW/Lam

DATE: 23/05/97

CHECKED:

LAYERS: SHEET 5

ISSUE DETAILS

- 2A. ECN6146 7/3/97
- 2b. ECN6170 - R212 WAS 2K2, R222 WAS 5K1
- 2c. ECN6215 R1003 WAS NOT FITTED
- 3. ECN6210 23/05/97

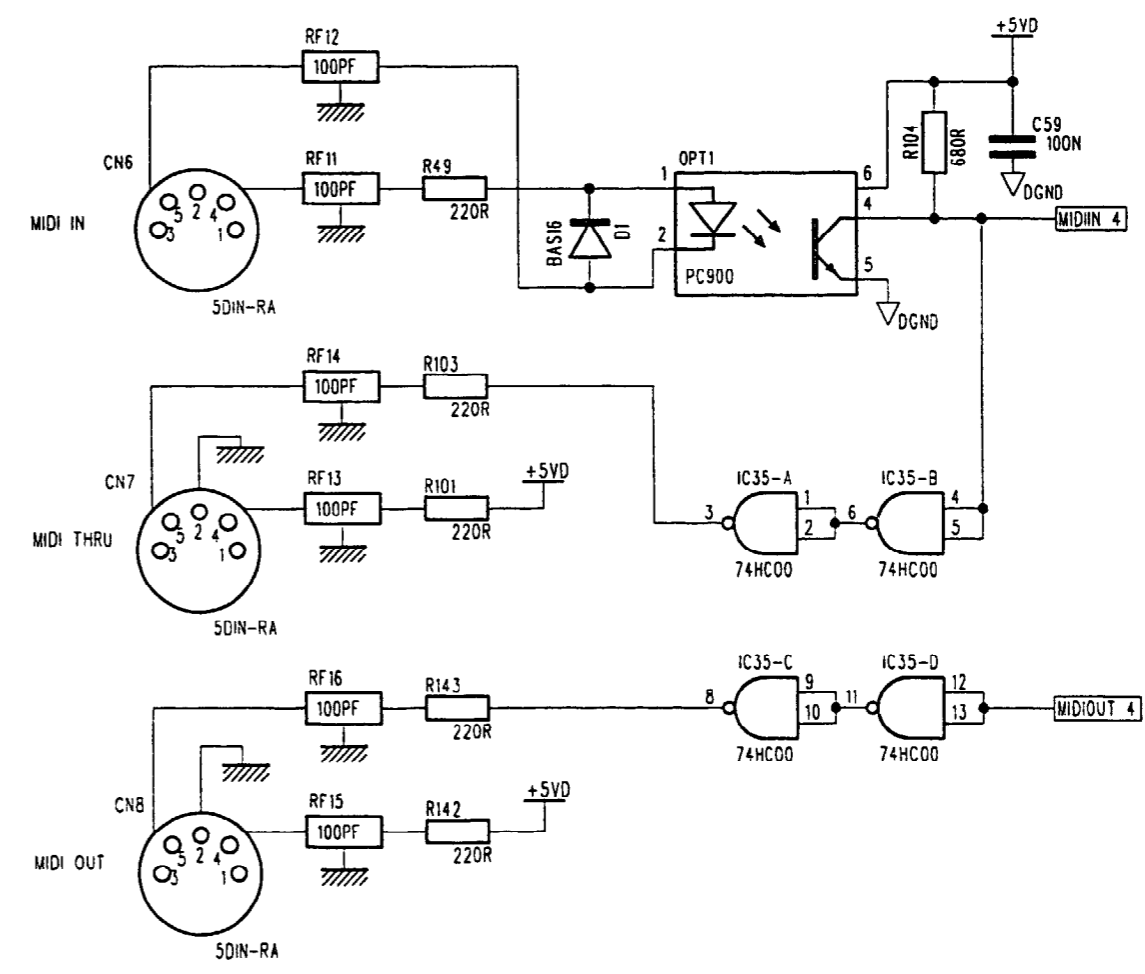
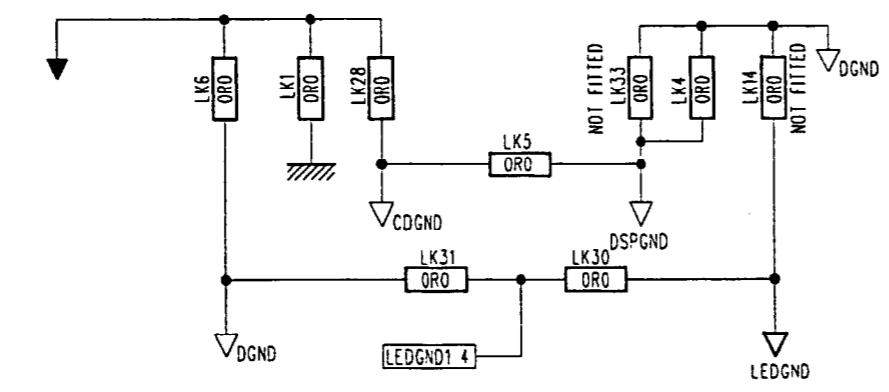
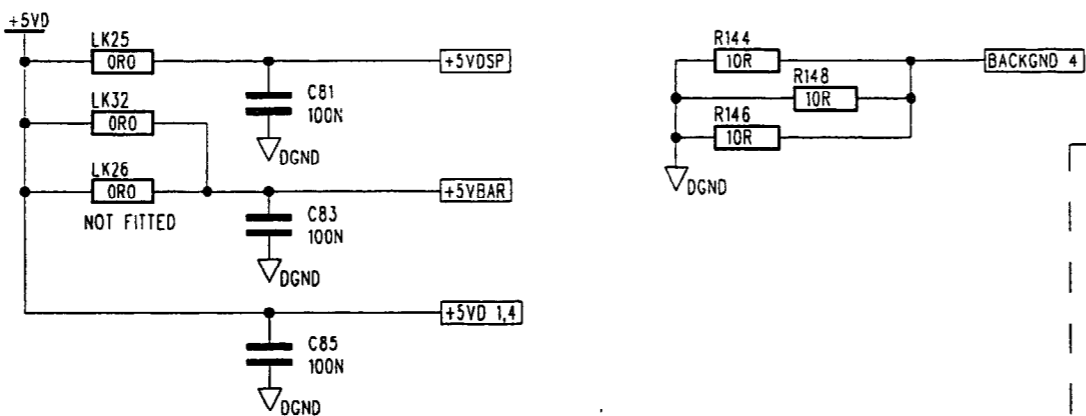
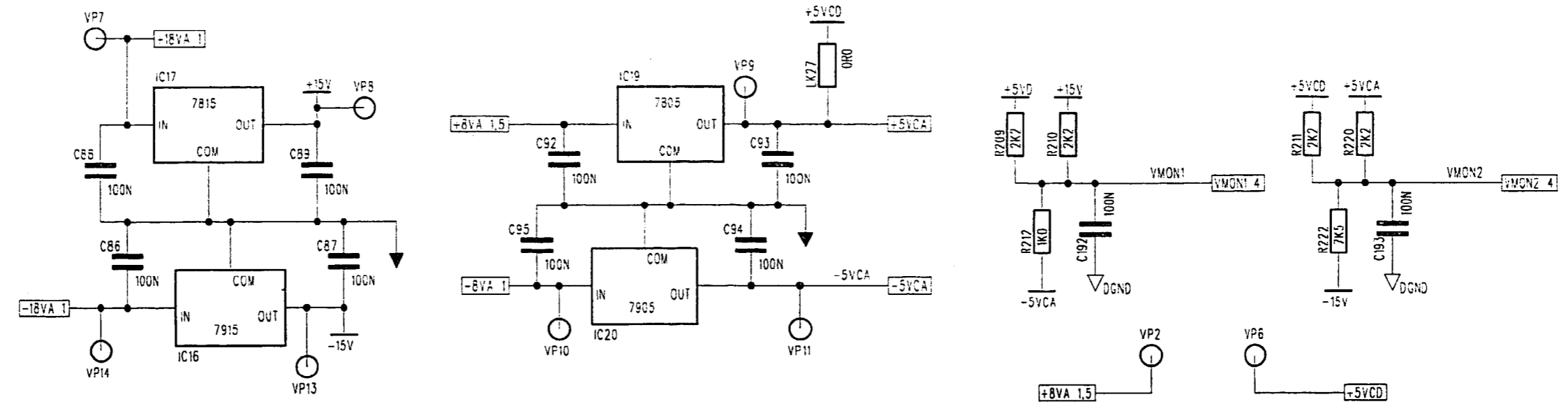
DIMENSIONS:

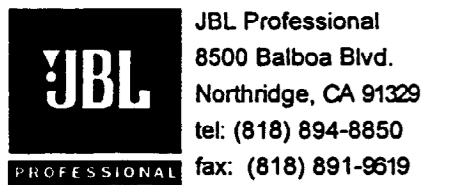
MATERIALS:

FINISH:

ARTWORK:

NOTES





TITLE: PROCESSOR MODULE

SHEET 4

FILENAME: 626SA3.SCH

DRAWN: AW/Lam

DATE: 23/05/97

CHECKED:

MATERIAL:

FINISH:

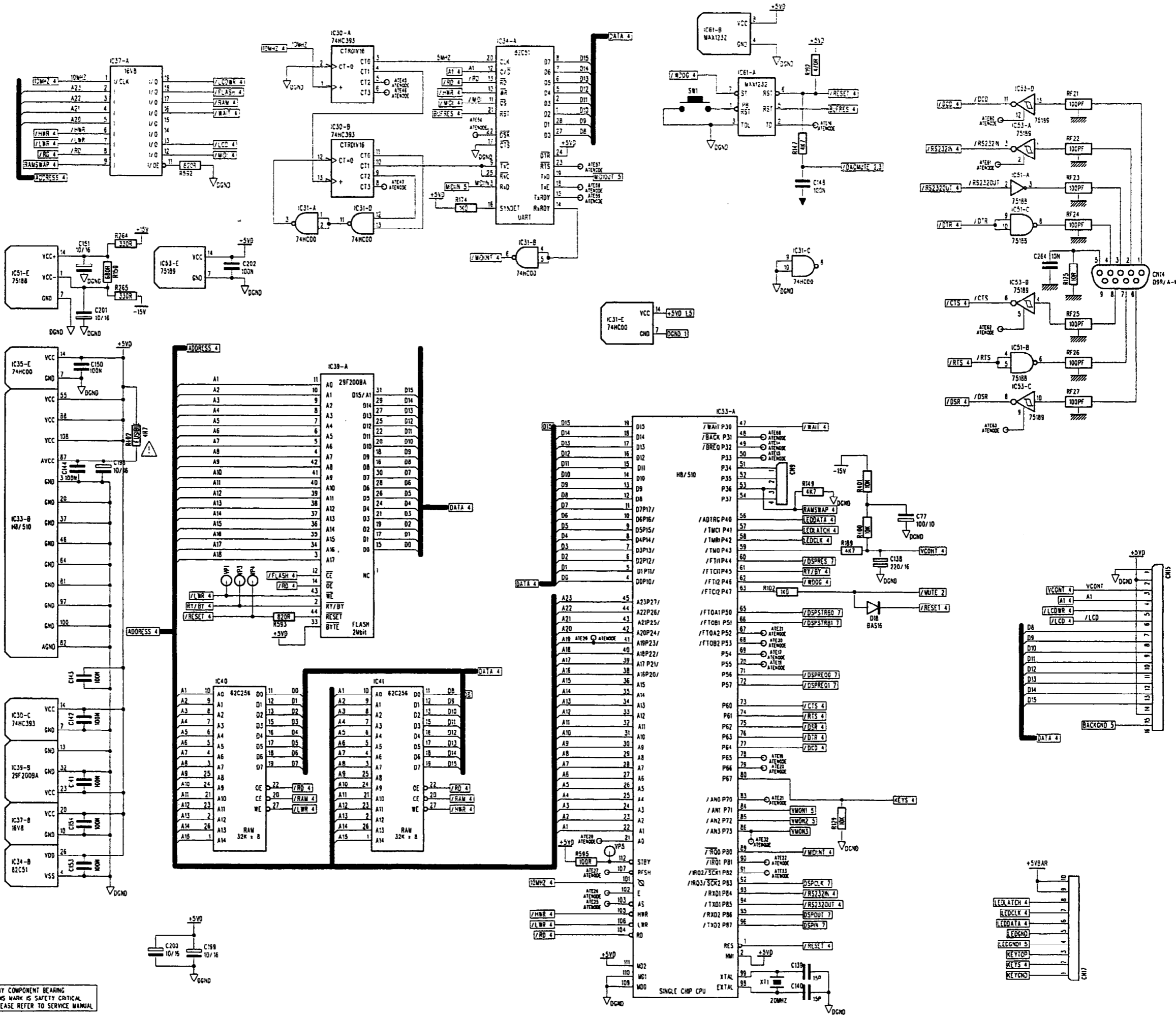
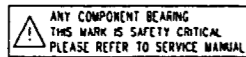
ISSUE COMMENTS:

- 2A. ECN6146 7/3/97
- 2b. ECN6170 - R212 WAS 2K2,R222 WAS 5K1
- 2c. ECN6215 R1003 WAS NOT FITTED
- 3. ECN6210 23/05/97

A2

PART NUMBER:

THIS DRAWING IS THE COPYRIGHT OF BSS Audio Ltd. ALL REPRODUCTION AND COPYING, OTHER THAN THAT FOR LICENCED MANUFACTURERS OWN INTERNAL USE, OR DISCLOSURE OF PART OR WHOLE TO A THIRD PARTY WITHOUT PRIOR WRITTEN AUTHORISATION IS IN VIOLATION OF THE COPYRIGHT.



JBL Professional
 8500 Balboa Blvd.
 Northridge, CA 91329
 tel: (818) 894-8850
 fax: (818) 891-9619

TITLE: DAC MODULE
 SHEET 3

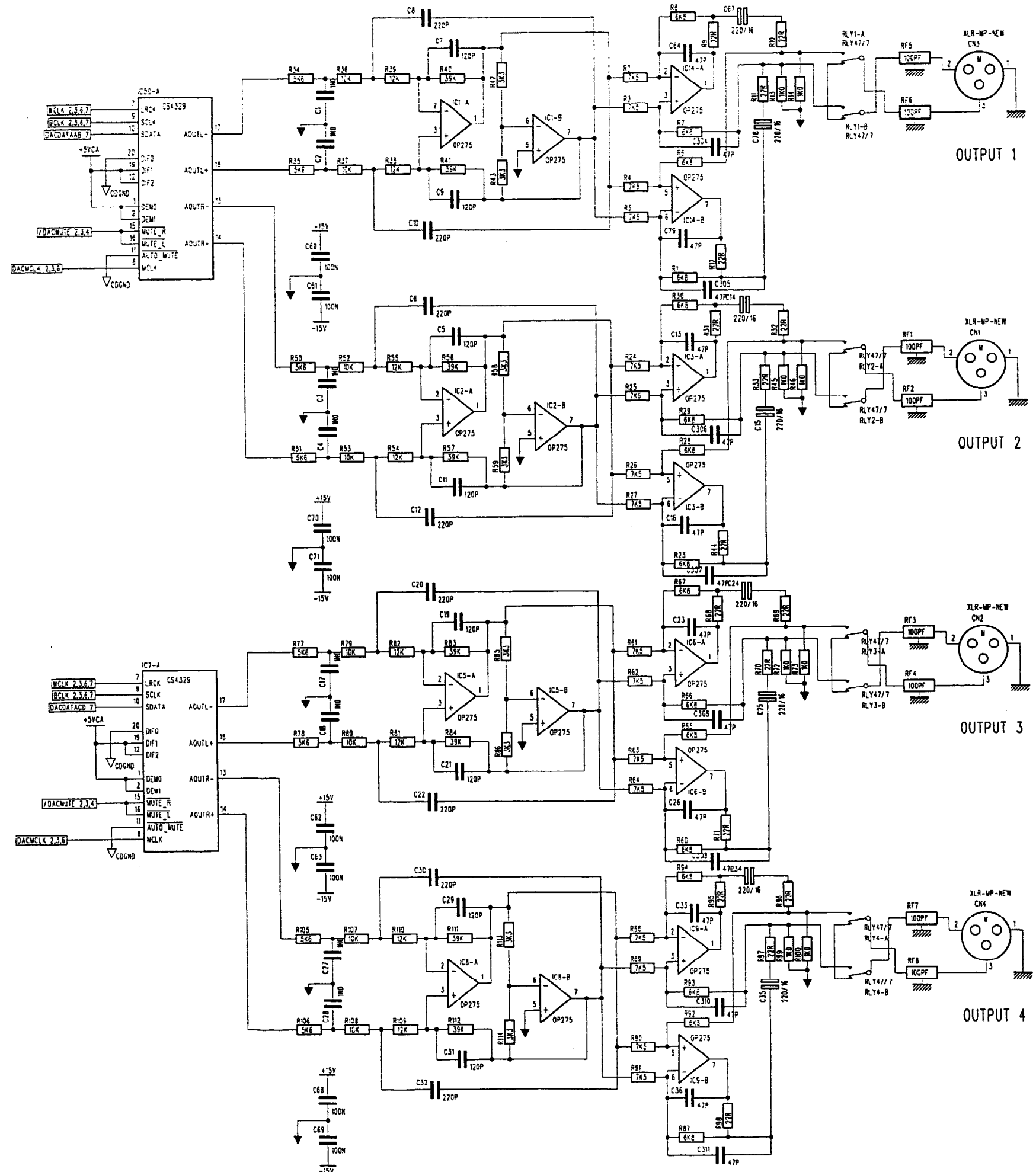
FILENAME: 626SA3.SCH
 DRAWN: AW/Lam
 DATE: 23/05/97
 CHECKED:

MATERIAL:

FINISH:

ISSUE COMMENTS:
 2A. ECN6146 7/3/97
 2b. ECN6170 - R212 WAS 2K2,R222 WAS 5K1
 2c. ECN6215 R1003 WAS NOT FITTED
 3. ECN6210 23/05/97

PART NUMBER:

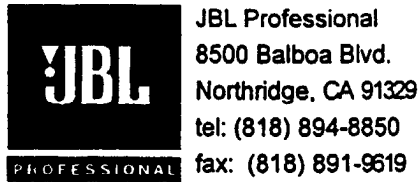


OUTPUT 1

OUTPUT 2

OUTPUT 3

OUTPUT 4



TITLE: ADC MODULE

SHEET 6

FILENAME: 626SA3.SCH

DRAWN: AW/Lam

DATE: 23/05/97

CHECKED:

MATERIAL:

FINISH:

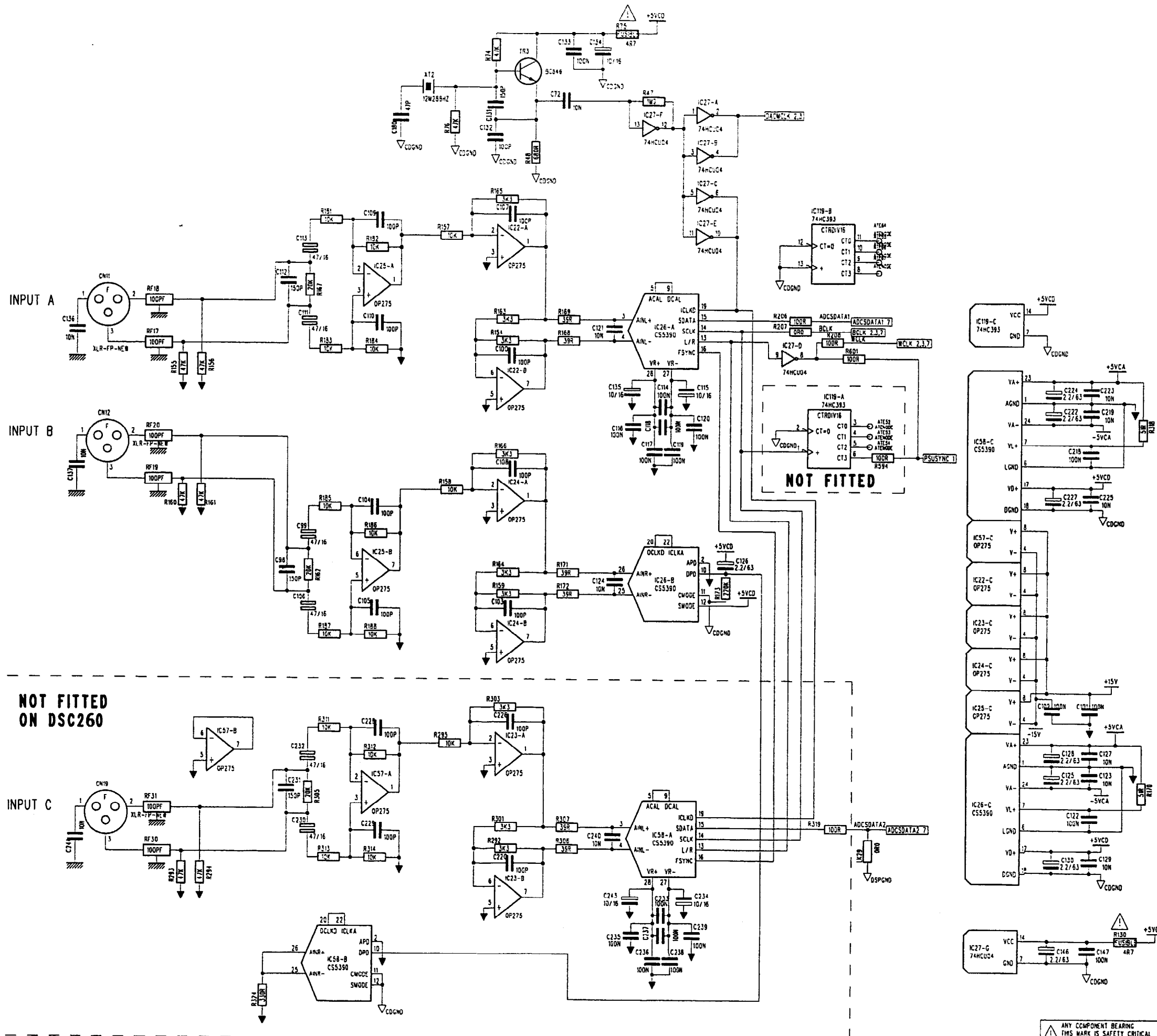
ISSUE COMMENTS:

- 2a. ECN6146 7/3/97
- 2b. ECN6170 - R212 WAS 2K2,R222 WAS 5K1
- 2c. ECN6215 R1003 WAS NOT FITTED
- 3. ECN6210 23/05/97

A2

PART NUMBER:

THIS DRAWING IS THE COPYRIGHT OF BSS Audio Ltd. ALL REPRODUCTION AND COPYING, OTHER THAN THAT FOR LICENCED MANUFACTURERS OWN INTERNAL USE, OR DISCLOSURE OF PART OR WHOLE TO A THIRD PARTY WITHOUT PRIOR WRITTEN AUTHORISATION IS IN VIOLATION OF THE COPYRIGHT. © BSS Audio Ltd 1994



NOT FITTED

NOT FITTED ON DSC260

ANY COMPONENT BEARING THIS MARK IS SAFETY CRITICAL PLEASE REFER TO SERVICE MANUAL

DRAWING NUMBER **626SA** ISSUE **3**

JBL Professional
 8500 Balboa Blvd.
 Northridge, CA 91329
 tel: (818) 894-8850
 fax: (818) 891-9619

TITLE: **DAC MODULE**

SHEET 2

FILENAME: **626SA3.SCH**

DRAWN: **AW/Lam**

DATE: **23/05/97**

CHECKED:

MATERIAL:

FINISH:

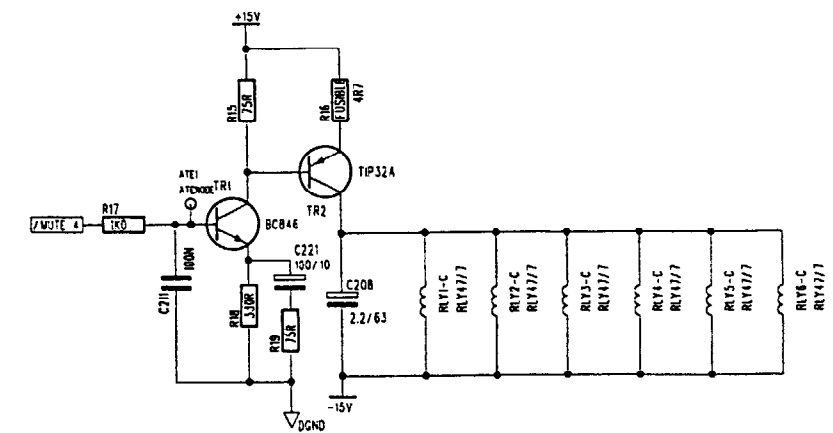
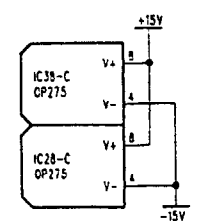
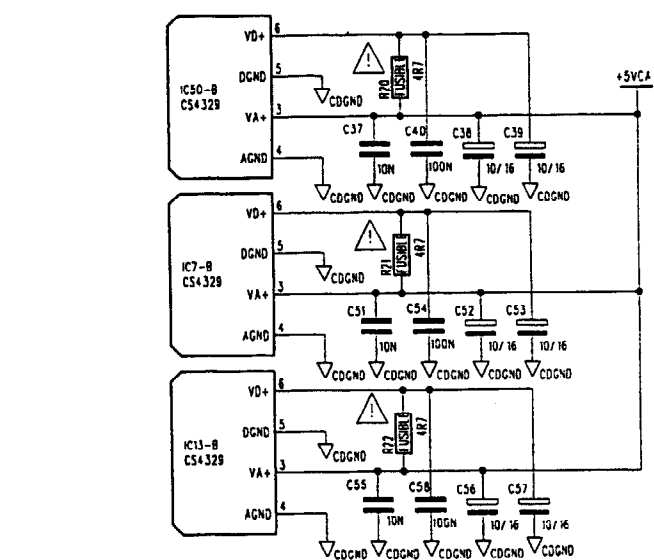
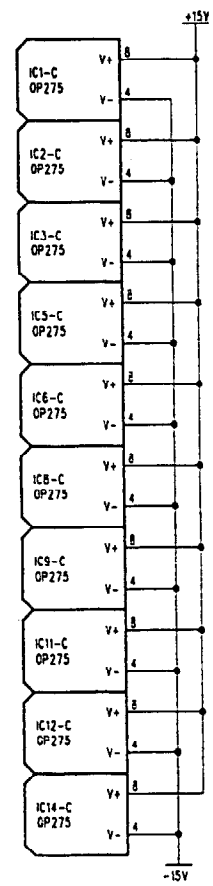
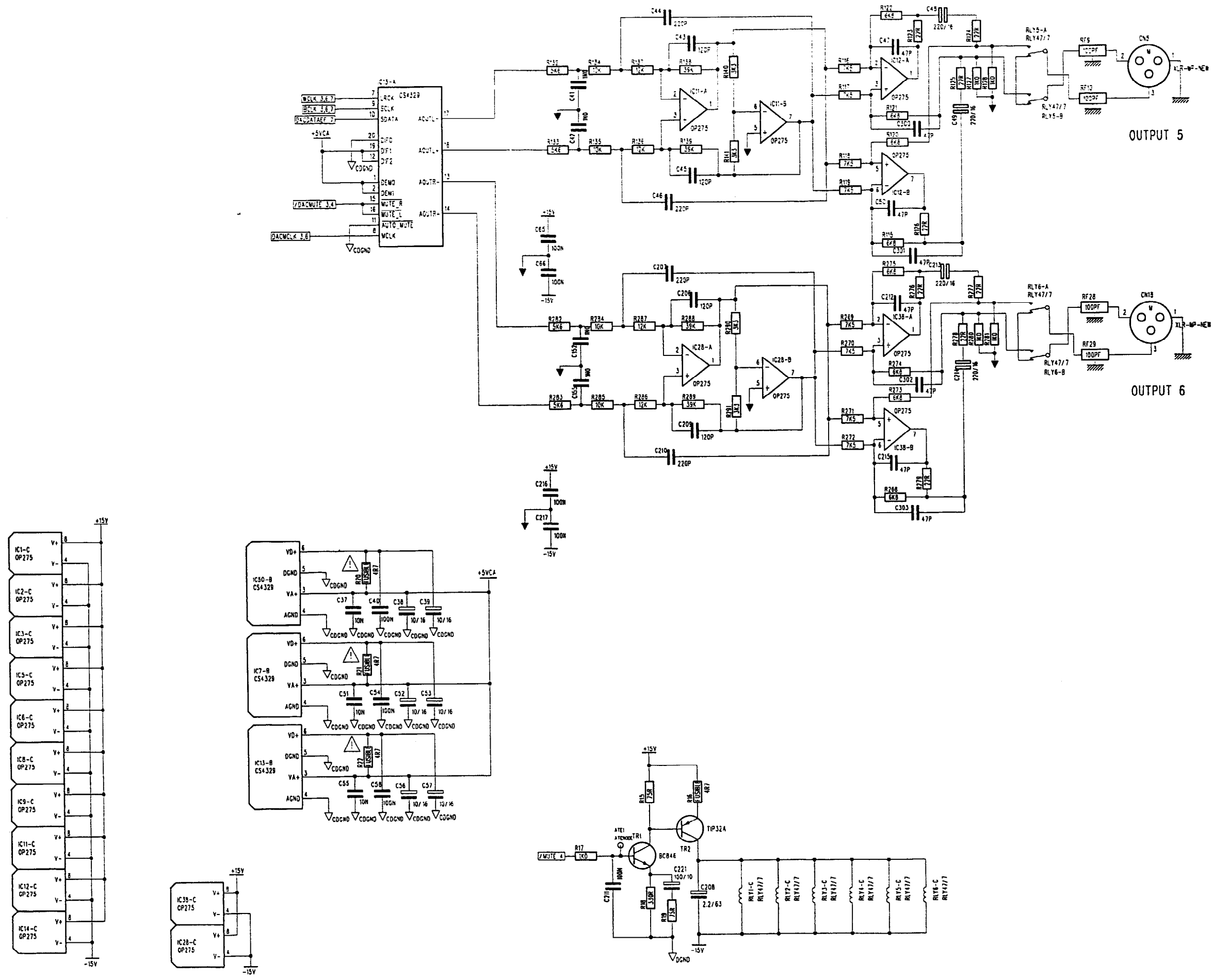
ISSUE COMMENTS:

- 2A. ECN6146 7/3/97
- 2b. ECN6170 - R212 WAS 2K2, R222 WAS 5K1
- 2c. ECN6215 R1003 WAS NOT FITTED
- 3. ECN6216 23/05/97

A2

PART NUMBER:

THIS DRAWING IS THE COPYRIGHT OF BSS Audio Ltd. ALL REPRODUCTION AND COPYING, OTHER THAN THAT FOR LICENCED MANUFACTURERS OWN INTERNAL USE, OR DISCLOSURE OF PART OR WHOLE TO A THIRD PARTY WITHOUT PRIOR WRITTEN AUTHORISATION IS IN VIOLATION OF THE COPYRIGHT.
 © BSS Audio Ltd 1994



ANY COMPONENT BEARING THIS MARK IS SAFETY CRITICAL. PLEASE REFER TO SERVICE MANUAL.

JBL Professional
 8500 Balboa Blvd.
 Northridge, CA 91329
 tel: (818) 894-8850
 fax: (818) 891-9619

TITLE: POWER SUPPLY

FILENAME: 626SA3.SCH

DRAWN BY: AW/Lcm

DATE: 23/05/97

CHECKED:

LAYERS: SHEET 1

ISSUE DETAILS
 2a. ECN6146 7/3/97
 2b. ECN6170 - R212 WAS 2K2, R222 WAS 5K1
 2c. ECN6215 R1003 WAS NOT FITTED
 3. ECN6210 LK30,31,32 ADDED. R1021 WAS 1K0
 R1026 WAS 4K7

DIMENSIONS:

MATERIALS:

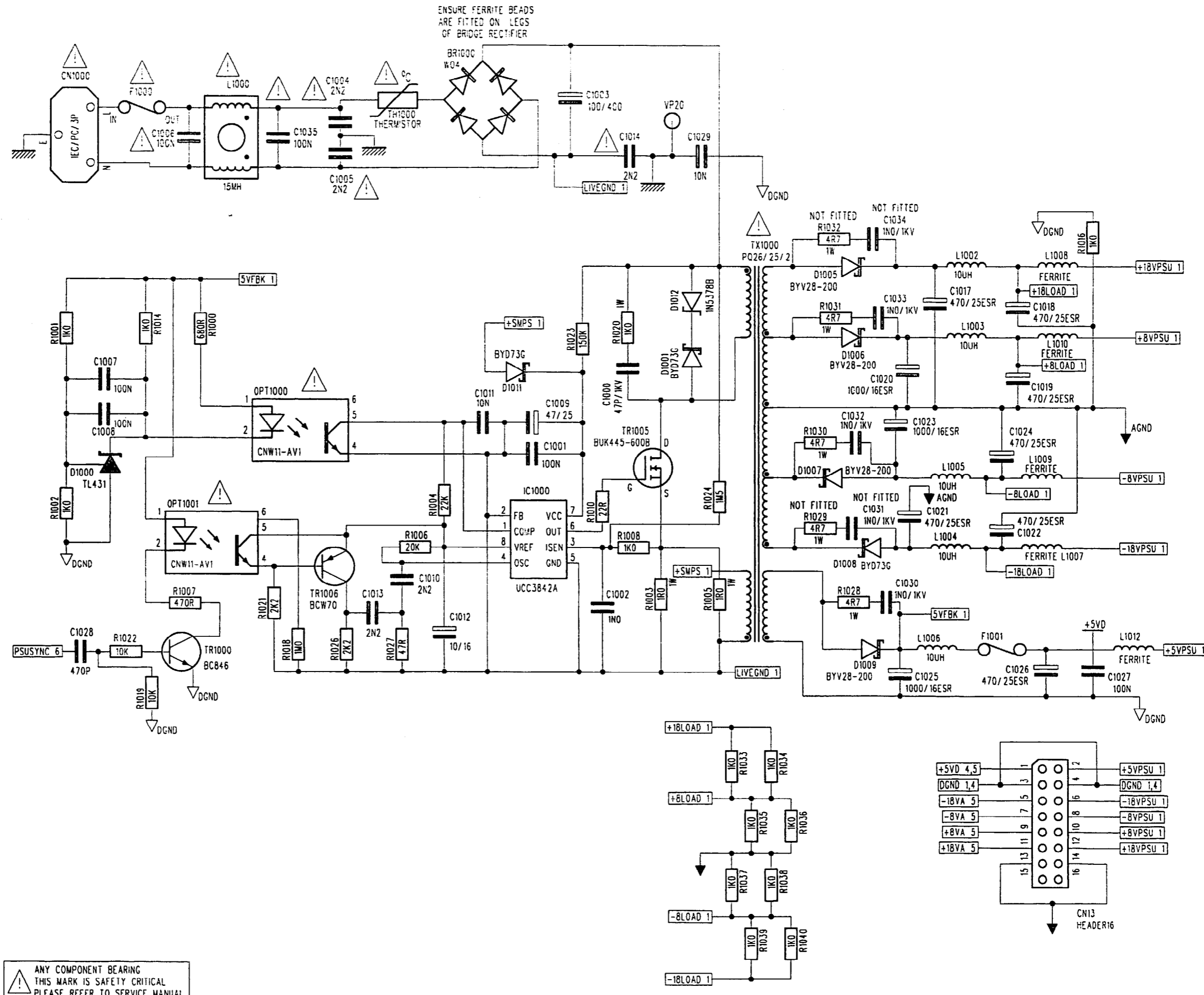
FINISH:

ARTWORK:

NOTES

A3

THIS DRAWING IS THE COPYRIGHT OF BSS Audio Ltd. ALL REPRODUCTION AND COPYING, OTHER THAN THAT FOR LICENCED MANUFACTURERS OWN INTERNAL USE, OR DISCLOSURE OF PART OR WHOLE TO A THIRD PARTY WITHOUT PRIOR WRITTEN AUTHORISATION IS IN VIOLATION OF THE COPYRIGHT. © BSS Audio Ltd 1994



ANY COMPONENT BEARING THIS MARK IS SAFETY CRITICAL PLEASE REFER TO SERVICE MANUAL