

Technical Manual

JBL DSC260



SPECIFICATIONS

ACOUSTIC & ELECTRICAL SPECIFICATIONS:

- Inputs: 2 Channels, Max. Level +20dBu, 10k ohms Impedance, Electronically Balanced, XLR Connectors, Pin 2+
- Outputs: 6 Channels, Individually Configurable, Max Level +10dBu into 600 ohms, Electronically Balanced, XLR Connectors, Pin 2+
- Dynamic Range: >100 dB
- THD: <0.05%, 20Hz-20kHz, @+10dBu
- Configuration: Stereo 2 and 3 way, Mono 4, 5 and 6 way
- Crossover: Butterworth or Linkwitz-Riley with slopes of 12, 18, 24 or 48dB per octave
- Front Panel Controls: Softkeys for programming functions. Mute on each output and LED level meters on each input and output with clip, mute and limit indicators.
- Display: 2 x 16 Character Backlit LCD
- Limiters: Mid Band Limiters with variable threshold of -10 to +10dBu
- Frequency Response: 20Hz - 20kHz ± 0.5 dB
- Power Requirement: 100-240 Volts 50/60Hz $\pm 10\%$
- Sample Rate: 48kHz
- Assignable Equalization: An array of between 8 and 30 bands of parametric equalizer can be assigned to the inputs and outputs. Dependent upon slopes of crossovers used.

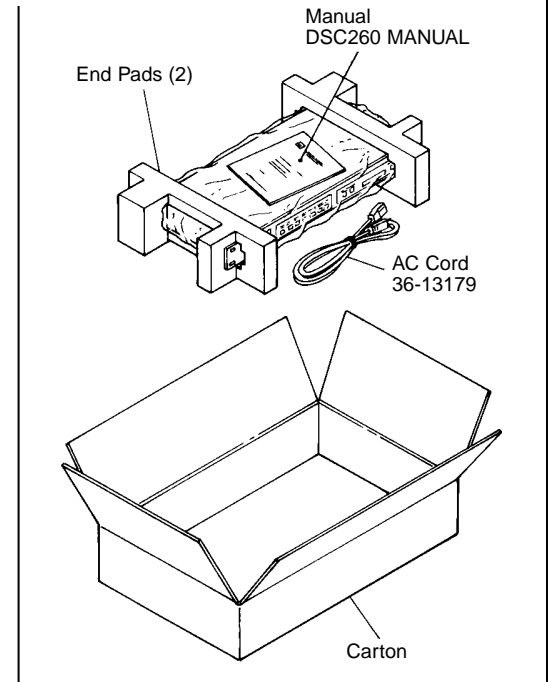
PHYSICAL SPECIFICATIONS:

- Dimensions: 44.4 mm x 483mm x 203mm D (1.75 x 19.0 x 8.0 in. D)
- Weight: 6.2 lbs. (2.8 kg.)

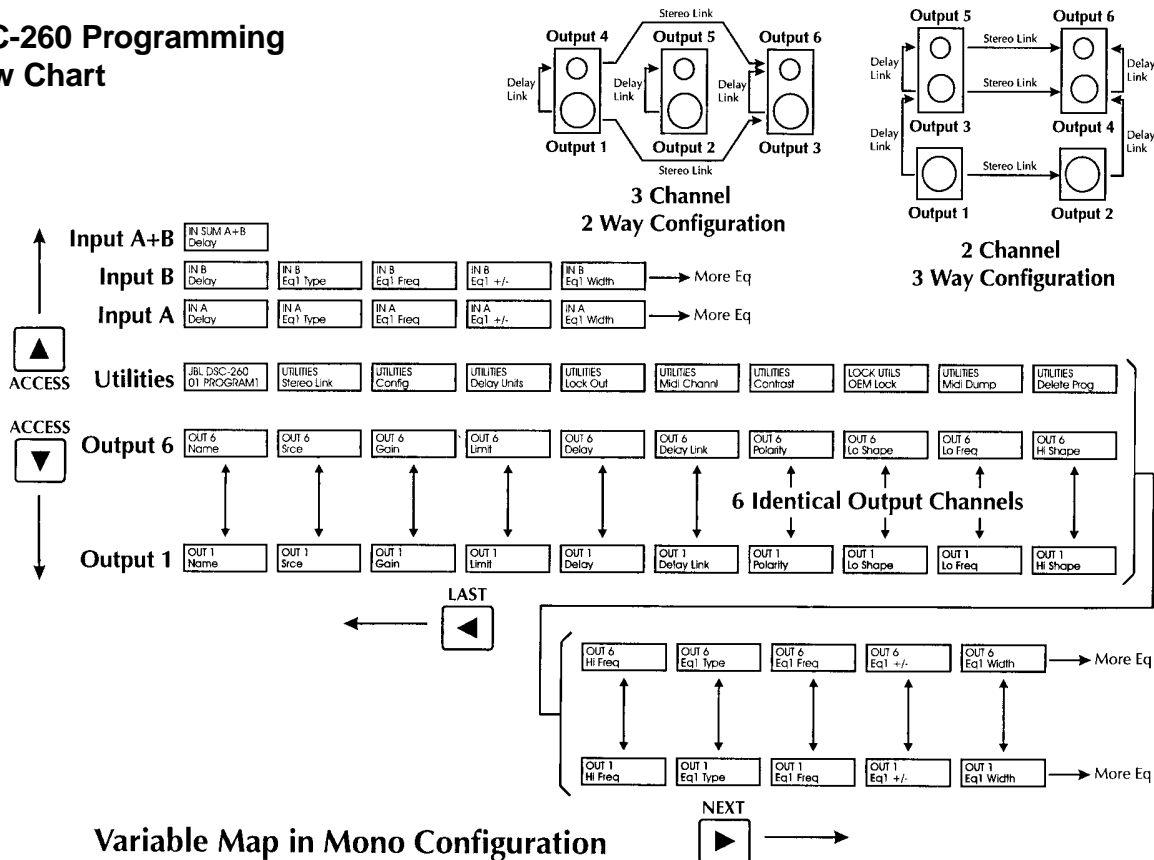
WARRANTY INFORMATION:

- Refer to Warranty Statement packed with each product.

PACKAGE



DSC-260 Programming Flow Chart



JBL DSC260

COMPONENT PARTS LIST

ITEM NO.	PART NO.	QTY.	DESCRIPTION
1	FK0985	2	XLR CON FML R/A CHAS PIN CN11, 12
2	FK0975	6	XLR 3WY ML R/A PC MNT CN1, 2, 3, 4, 5, 6
3	XE01-0080	1	TRANSISTOR TIP32A TR2
4	XL02-0051	3	DIN SKT 5 PIN/180 PC MTG CN6, 7, 8
5	XL02-0250	1	D CONN SUB-MIN MALE 9 W CN14
6	ZD0332	1	FUSEHOLDER 10A 250V PCB M F1000
7	HC0033	8	FERRITE BEAD 3.5MMX1.3MM BR1000
8	BC0217	1	DIODE BRIDGE 1.5A 400V W0 BR1000
9	BS9411R-SOJ20	1	V53404HK45 1MX4 SM DRAM
10	BS9605	1	1488 SM Q D RS232 LINE TX
11	BS9606	1	1489 SM Q D RS232 LINE RX
12	BE0417	1	V. REG 7915 15V 1A IC16
13	BD0398	1	PWR MOSFET BUK445-600B TR1005
14	BB0137	1	ZENER DIODE 1N5378B 100V D1012
15	HB8024-03	1	TRANSFORMER SMPS J620 TX1000
16	BE0416	1	V. REG 7815 +15V 1A IC17
17	BA0025	4	DIODE FAST 400V 1.7A BYD7 D1001, 1005, 1008, 1011
18	BE0425-J	1	V. REG LM7905 5V 1A IC20
19	JO7.0020-J	2	OPTO-ISOLATOR P900V
20	BK10003	15	OP275GS S M DUAL O PANP
21	BS2108R-SO16	8	74H595 SM 8BIT +LATH
22	BS9190R-SO20	3	S4329KS S M STER 20BIT D/
23	ZD0334	1	20MM S/ENC PCB MNGT FUSEH F1001
24	BE0424-J	1	V. REG LM7805 +5V 1A IC19

ITEM NO.	PART NO.	QTY.	DESCRIPTION
25	ZC0240	1	REG KOOL-PAD, SELF ADH 105
26	PN1258-01	1	HEATSINK SM PSU
27	PN1256-01	4	REGULATOR SPRING CLIP
28	FF0722	1	20WY DIL IC SKT DUAL WIPE IC37
29	BS9192R-SO28	1	S5390KS S M STEREO AD
30	BS9018M-PLCC28	1	8251 PROG O M M S M
31	BS2005R-SO14	1	74HU04 SM HEX INV UNBUF
32	BS2001R	1	74H00 SM Q D 2 I/P NAND
33	XI01-0050	1	20.0MHZ CRYSTAL XT1
34	XK06-0010	6	RELAY 2PCO 47/4 RLYL, 2, 3, 4, 5, 6
35	CE0480	13	220U 16V RAD NON-POLAR C14, 15, 24, 25, 34, 35, 48, 49,67, 78, 138, 213, 214
36	XI01-0080	1	CRYSTAL 12.288MHZ HC49/4 XT2
37	BDO396	1	OPTOTRANSISTORNWII
38	BS9400R	2	SRAM S M 32KX8
39	BS2091R-SO14	1	74H393 S M DUAL 4BIT OUN
40	BE0525	1	U3842A DIPS SMPSU ONT
41	BS9609R	1	MAX1232SA SM
42	RX5039	1	LMS626 FLASH BOOT VI.00
43	G04.0020	1	(A) MIROONT HD6415108F
44	CE0488	1	VERT ELE 10MM 100UF 400V
45	CE0490	7	VERT ELE 0.2 470/25V LO
46	CE0491	2	VERT ELE 0.2 1000/16V LO
47	A22279	1	THERMISTER 3A INRUSH
48	BA0024	3	DIODE FAST 200V 3.5A BYV2
49	JA0137	1	LED DISPLAY
50	HK2518-01	1	FRONT PANEL

