

Technical Manual

JBL DSC280



SPECIFICATIONS

ACOUSTIC & ELECTRICAL SPECIFICATIONS:

- Speaker System Compatibility: DMS-1 Studio Monitors HLA, Array, Architectural Series, Sound Power Venue, Cinema 5000
- Configuration: Stereo or Two Channel, 2, 3 or 4 Way

INPUTS & OUTPUTS

- Inputs: 2 Channels, Max Level +20dBu, 10k Ohms Impedance, Electronically Balanced, XLR Connectors, Pin 2 +
- Outputs: 4 Bands/Channel, Max Level +20dBu into 600 Ohms, Electronically Balanced, XLR Connectors, Pin 2 +

CONTROLS & INDICATORS

- Front Panel Controls: Softkeys for programming functions
Mute for each output band
- Rear Panel Controls: +10dB Input Level Gain
AC Voltage Selection
LCD Backlit
- Display: LCD Backlit

PERFORMANCE

- Sampling Rate: 48kHz
- Dynamic Range: >105dB
- Total Harmonic Distortion: <0.01%, 20Hz-20kHz, @ +10dBu
- Channel Separation: >75dB, 20Hz-20kHz
- Stereo Tracking: <2 Degrees, 20Hz-20kHz
- Group Delay Distortion: <±5 Microseconds, 20Hz-20kHz
- Crossover Filters: Bessel, Butterworth or Linkwitz-Riley with slopes of 12, 18 or 24dB per octave
- Delay: Selectable up to 650mSec, in 11uSec Steps
- Frequency Response: 15Hz to 20kHz, ±0.25dB

PHYSICAL

- Power Requirements: Selectable 120V (99-121V) or 240V (204-264V), plus Internal 100V Setting, 50/60Hz, IEC Socket
- Power Consumption: <60VA

PHYSICAL SPECIFICATIONS:

- Dimensions: 89 mm x 483mm x 356mm D (3.5 x 19.0 x 14.0 in. D)
- Weight: 16 lbs. (7.25 kg.)

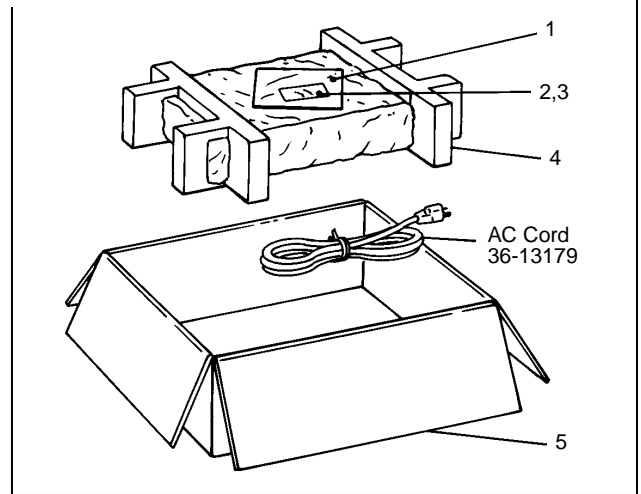
OPTIONS

- AES/EBU Input/Output Cards
- Input/Output Transformers

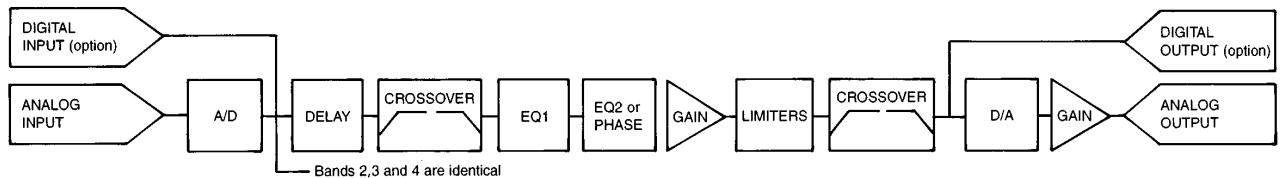
WARRANTY INFORMATION:

- Refer to Warranty Statement packed with each product.

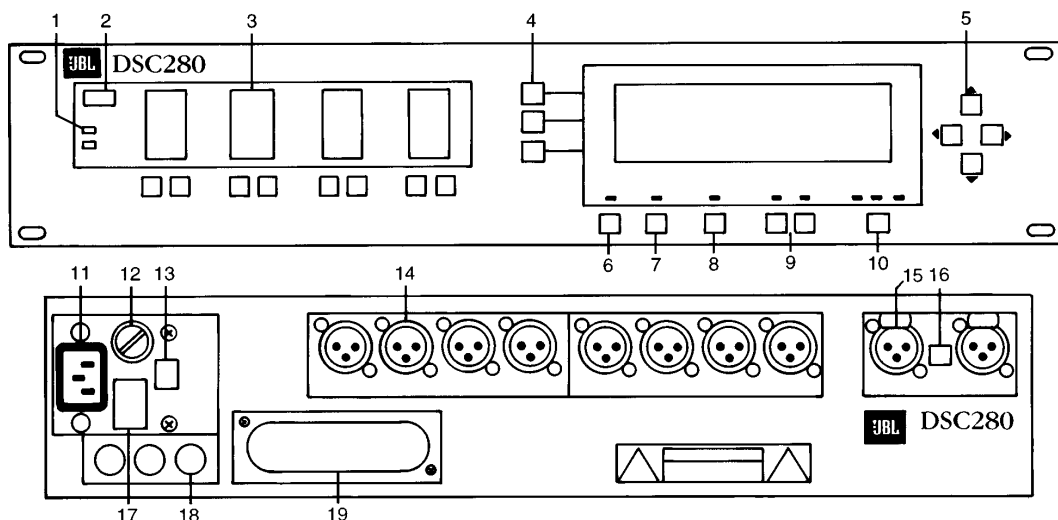
PACKAGE



DSC280 BLOCK DIAGRAM



FRONT AND REAR PANELS REF.



DESCRIPTION

- 1 +10dB Indicator
- 2 Clip Indicators
- 3 Output Section
- 4 Soft Keys
- 5 Cursor Keys
- 6 Store (Backup) Key
- 7 Recall (Swap) Key
- 8 Utility Key
- 9 Left/Right/Split Keys
- 10 Edit Key
- 11 Mains Power Input
- 12 Fuse
- 13 Power Voltage Selector
- 14 8 Band Outputs
- 15 2 Channel Inputs
- 16 +10dB Switch
- 17 Mains Power Switch
- 18 Midi Interface Connectors
- 19 Option Panel

JBL DSC280

COMPONENT PARTS LIST

ITEM NO.	PART NO.	QTY.	DESCRIPTION
1	ZM0155-01	1	MANUAL LMS688 V1.21
2	M01.0025-J ZD8100250	1	20mm T250mA250V FUSE
3	M01-0035 ZD8100500	1	20mm T500mA250V FUSE
4	XT01-0470	2	ETHAFOAM ENDCAP 2U (388)
5	TA0322	1	2U BSS UNPRINTED CARTON
6	PF0540-03	2	OMNI COVER PLATE
7	NA0397	16	M3x6 FLGE POZI SCR BLK
8	XL02-0230-J	2	NC3FPRH FXLR
9	XK06-0010-J	8	RELAY 2PCO 47/4
10	XG02-0110-J	4	(A) D/A CONV AD7528JN
11	XL02-0200-J	8	NC3MPRH
12	AZ2215-J	16	8P SIL 4x10K RES NETWORK
13	X2-LM56 88-51	1	FRONT PANEL
14	RA5555	1	PCB PLL
15	RA5516	1	PCB POWER
16	R-B388C-05-AF	1	INPUT A TO D PCB
17	XF01-0120	12	(A) OP-AMP OP275GP /AN
18	CE0480	16	NON-POL RAD 16V 220UF
19	XG02-0050-J	8	D/A CONV 20BIT PCML702P
20	DF0530-J	1	ALPS SUJ 4P PSH SWT LTCH
21	ZD8100500	1	20mm T500mA250V FUSE
22	DL8007	1	SPST MAINS ROCKER SWT
23	FJ8026	1	IEC FILTERED 1AMP CONN
24	XL02-0051	3	DIN SKT 5 PIN/180 PC MTG
25	XX01-0030	1	FAN 60mm 12V
26	XW13-0070	4	REGULATOR CLIPS
27	BE0424-J	2	V.REG LM7805 +5V 1A
28	BE0425-J	1	V.REG LM7905 5V 1A
29	RC5558	1	DAL PCB ASSY
30			
31			
32			

ITEM NO.	PART NO.	QTY.	DESCRIPTION
33			
34			
35			
36	BE0416-J	1	V.REG 7815 +15V 1A
37	BE0417-J	1	V.REG 7915 15V 1A
38	P01,0130-J	1	MAINS TRANSFORMER
39	NC0290	1	TX NEOPRENE WASHER 70x2
40	ZD0334	5	FUSE/HLD 20mm S/ENC P
41	ZD8202	1	20mm F2A250V FUSE
42	ZD8200500	2	20mm F1A250V FUSE
43	ZP07-0030-J	1	FERRITE TRANSFORMER
44	XG02-0060-J	4	SM5843AP O/SAMPLING FILT
45	BE0424-J	1	V.REG LM7805 +5V 1A
46	BE0416-J	1	V.REG 7815 +15V 1A
47	XV04-0030-J	1	BATTERY 3V/200MAH
48	BE0424-J	2	V.REG LM7805 +5V 1A
49	BE0425-J	1	V.REG LM7905 5V 1A
50	BE0417-J	1	V.REG 7915 15V 1A
51	XI01-0080-J	1	XTAL 12.288MHz HC49/4
52	BE0485	8	DUAL OP AMP 5532D JRC
53	AZ2215-J	2	8P SIL 4x10K RES NETWORK
54	XK02-0010-J	1	SLIDE SWITCH 120/240V
55	XE01-0020-J	1	TR BC182B
56	XE01-0080-J	1	TIP32A
57	PK2468-01	1	LCD LENS DISPLAY
58	PK2469-01	1	BARGRAPH LENS
59			
60			
61			
62			
63			
64			

JBL DSC280

JBL DSC280

COMPONENT VIEW

