

# Technical Manual

# JBL1400PRO

## SPECIFICATIONS



### ACOUSTIC & ELECTRICAL SPECIFICATIONS:

- Nominal Impedance: 8 ohm
- Power Capacity: 600 W Pink Noise
- Frequency Range: 40 Hz to 1.2 kHz
- Sensitivity: 98dB SPL\*
- Crossover Frequencies: N/A

### SYSTEM COMPONENTS:

- Cabinet: N/A
- Grille: N/A
- Low Frequency Transducer: 355mm (14 in.) Cone Transducer (1400PRO)
- DC Resistance: 4.1 ohm  $\pm$ 10% Aluminum Wire

### AURAL SWEEP TEST SPECIFICATIONS:

- L.F. Aural Sweep Test: 7.0V Input, 20 Hz to 1.2 kHz

### PHYSICAL SPECIFICATIONS:

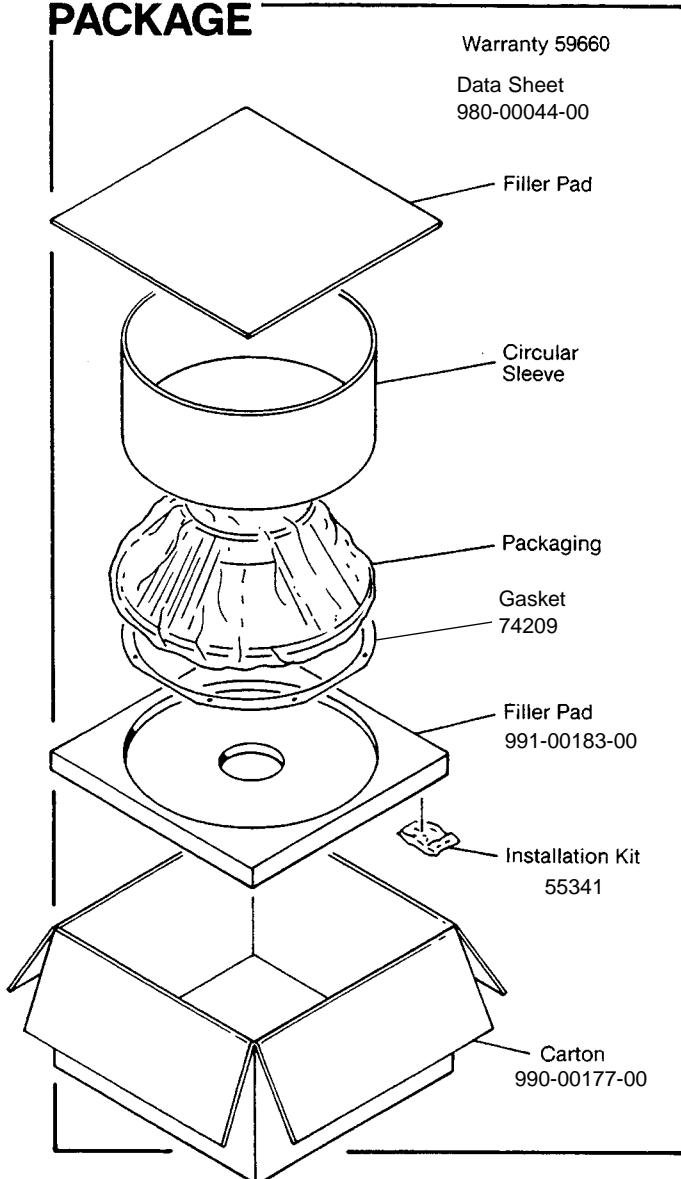
- Enclosure Dimensions: 346mm x 346mm x 155mm D (13.62 x 13.62 x 6.12 in. D)
- Net Weight: Not Available
- Neodymium Magnet

### WARRANTY INFORMATION:

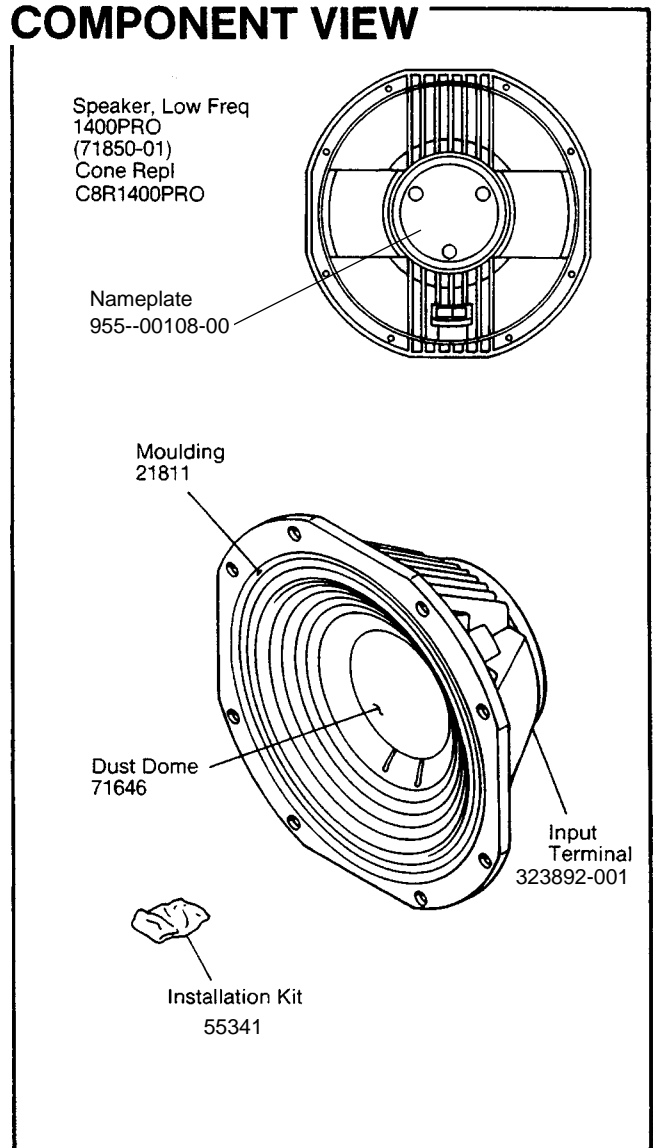
- Refer to the Warranty Statement packed with each product.

\*1 Watt (2.83 V RMS) @ 1 Meter

## PACKAGE



## COMPONENT VIEW

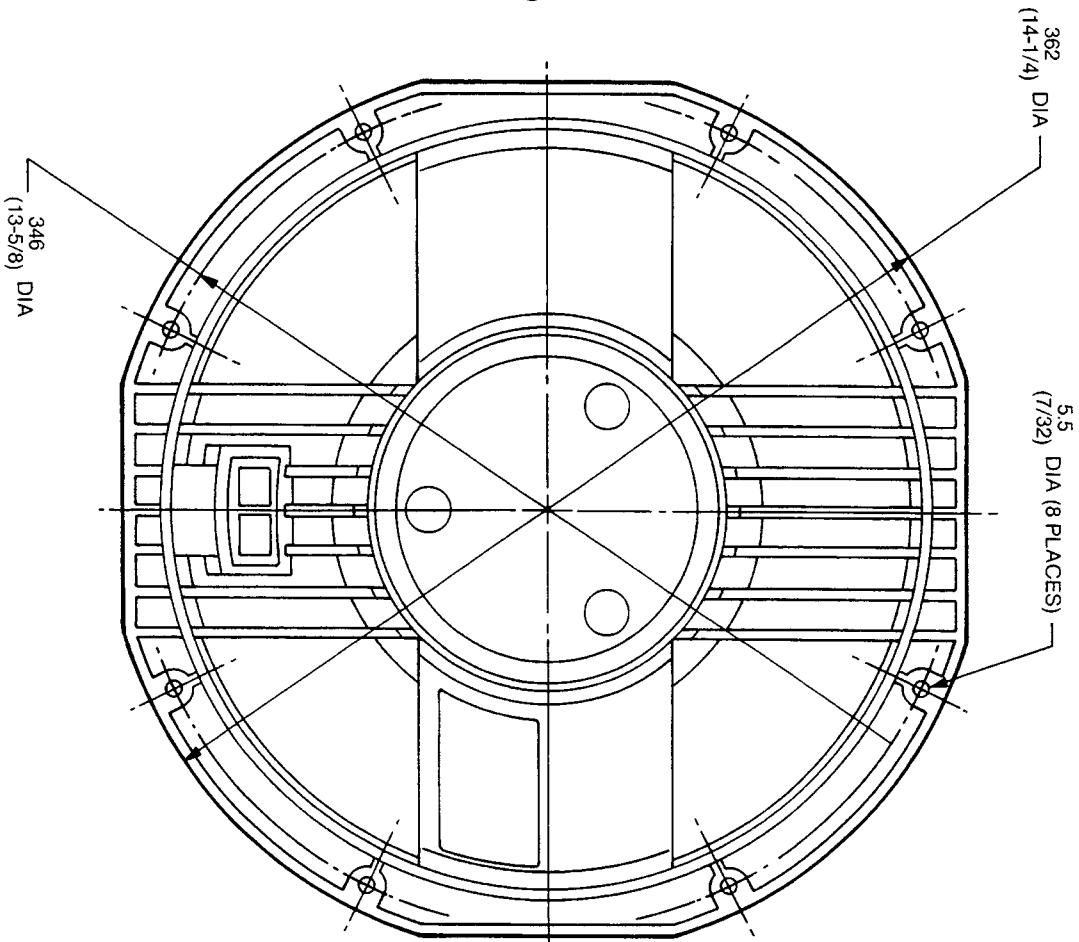
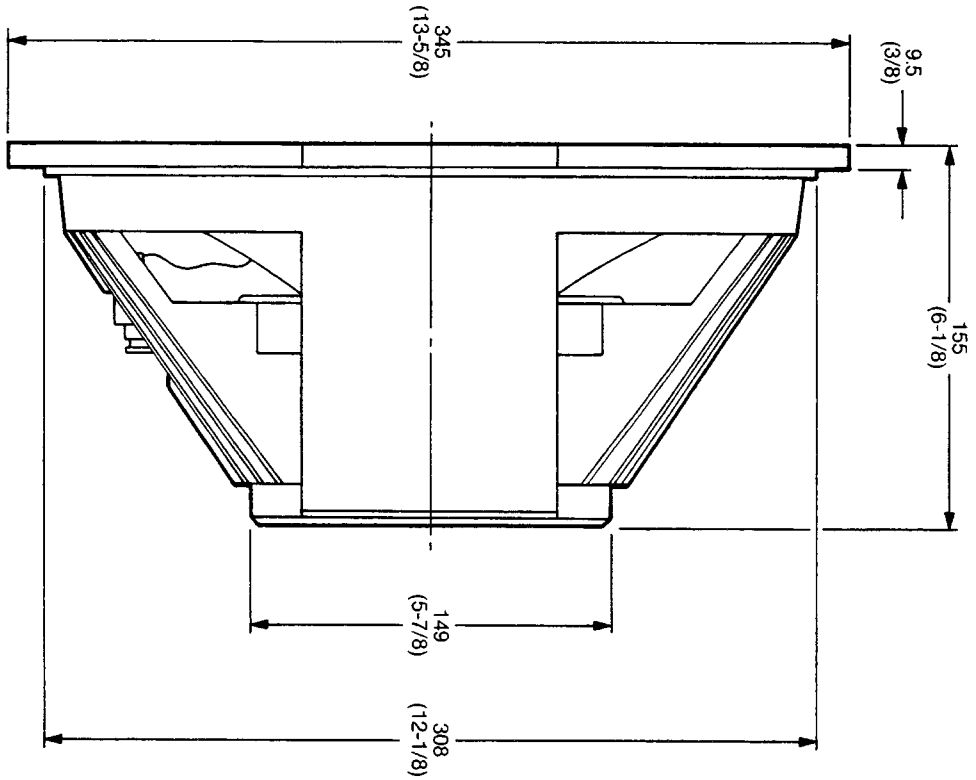


JBL1400PRO REV D

# JBL1400PRO

## MECHANICAL DRAWING

THESE DRAWINGS AND SPECIFICATIONS ARE THE PROPERTY OF JBL. UNAUTHORIZED REPRODUCTION OR USE IS STRICTLY PROHIBITED. THEY ARE ISSUED IN STRICT CONFIDENCE AND SHALL BE KEPT UNDER CONTROL. ON BASIS OF THE BASIS FOR MANUFACTURE OR SALE OF PRODUCTS, JBL WILL NOT BE RESPONSIBLE FOR ANY REVISIONS.



ALL DIMENSIONS ARE REF. ONLY  
NOTE: DIMENSIONS IN ( ) ARE IN INCHES

JBL1400PRO