

Technical Manual



JBL2012H

SPECIFICATIONS

ACOUSTIC & ELECTRICAL SPECIFICATIONS:

- Nominal Impedance: 8 ohm
- Power Capacity: 300W AES Continuous Pink Noise
- Frequency Range: 75 Hz – 7 kHz
- Sensitivity: 100 dB SPL*
- Crossover Frequency: 5.5 kHz

SYSTEM COMPONENTS:

- Cabinet: N/A
- Grille: N/A
- Mid Frequency Transducer: 250mm (10 in.) Cone
- DC Resistance: 4.65 ohm ±5%

AURAL SWEEP TEST SPECIFICATIONS:

- L.F. Aural Sweep Test: 7.0V Input, 20 Hz to 1 kHz

PHYSICAL SPECIFICATIONS:

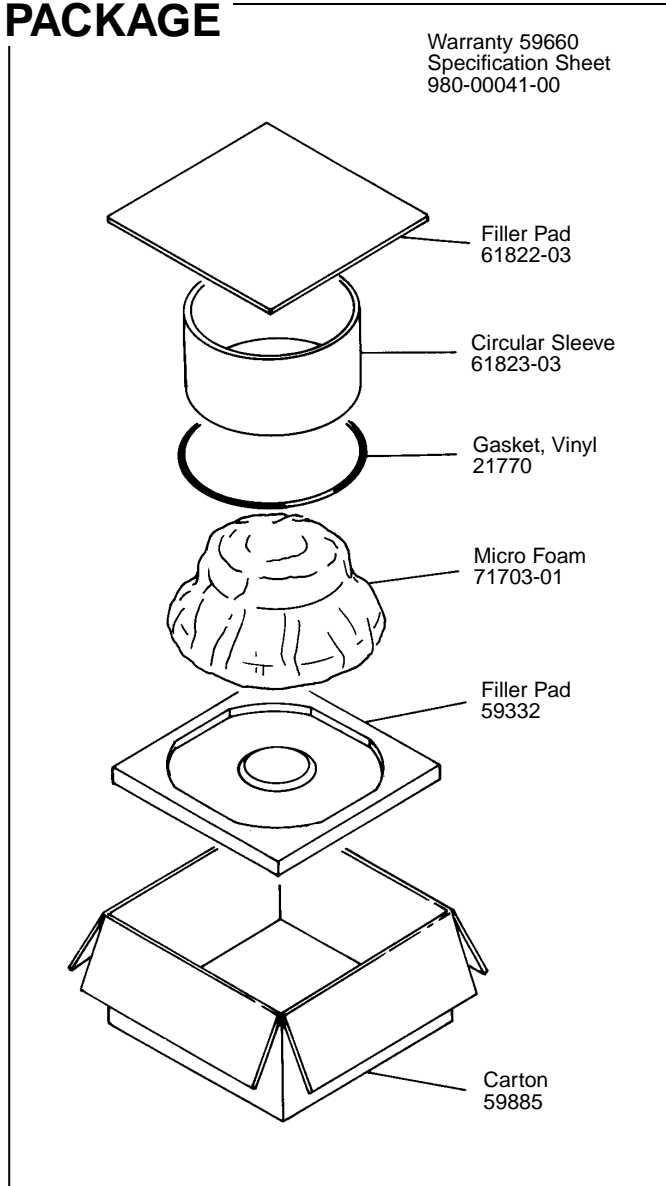
- Enclosure Dimensions: 261mm x 261mm x 121mm D (10.25 x 10.25 x 4.75 in. D)
- Shipping Weight: 20 lbs. (9.1 kg.)

WARRANTY INFORMATION:

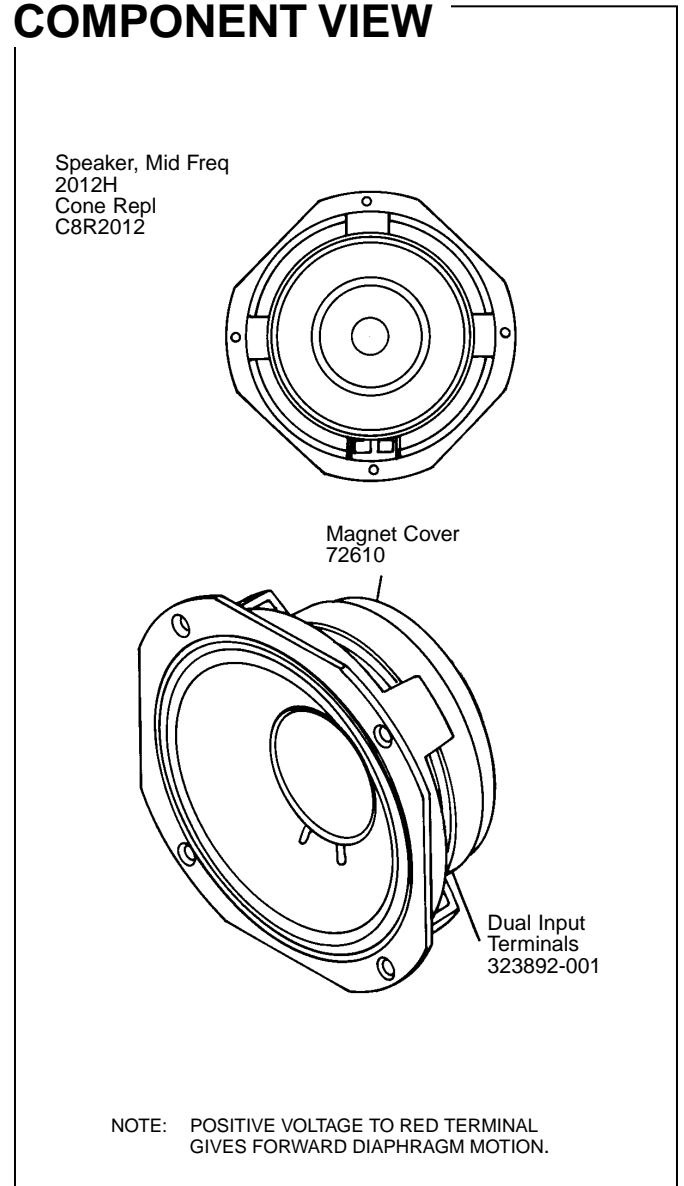
- Refer to Warranty Statement packed with each product.

*1 Watt (2.83 V RMS) @ 1 Meter

PACKAGE



COMPONENT VIEW

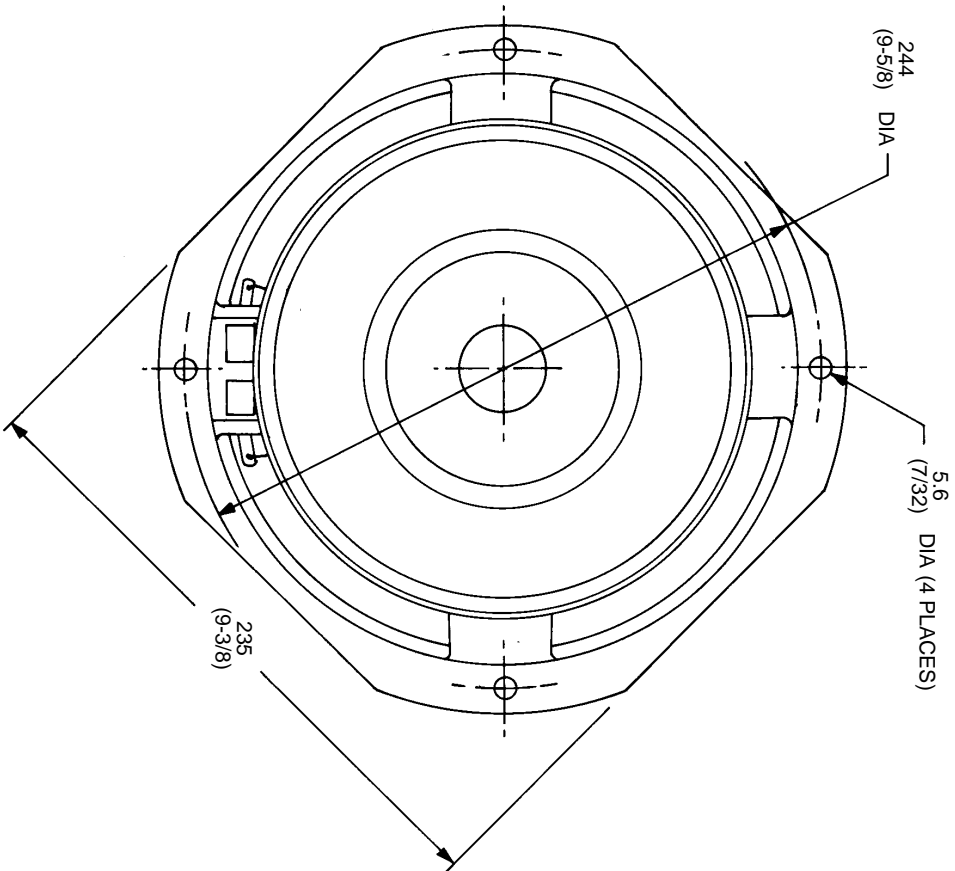
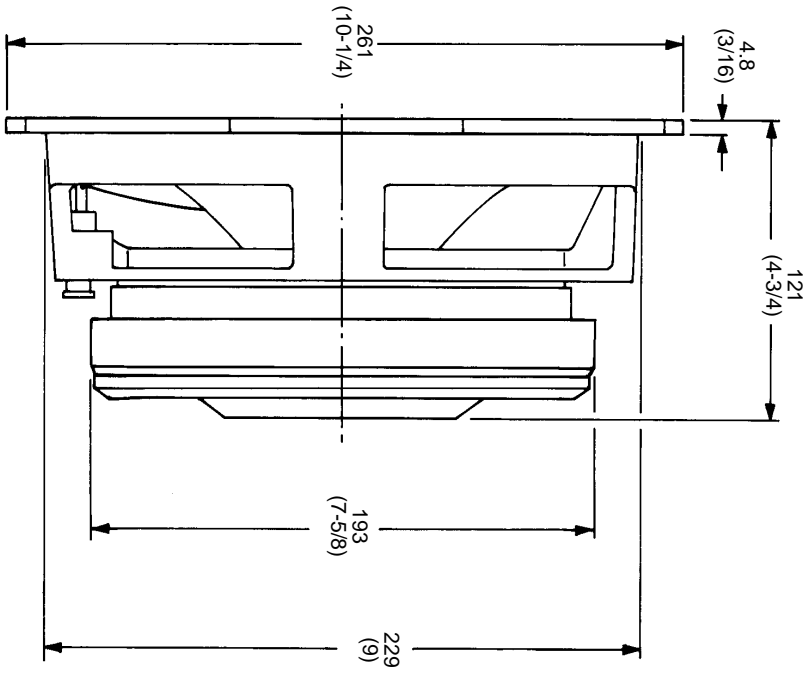


JBL2012H REV A

JBL2012H

MECHANICAL DRAWING

THESE DRAWINGS AND SPECIFICATIONS ARE THE PROPERTY OF JBL, INCORPORATED. THEY ARE ISSUED IN STRICT CONFIDENCE AND SHALL NOT BE REPRODUCED, COPIED, OR USED AS THE BASIS FOR MANUFACTURE OR SALE OF APPARATUS WITHOUT WRITTEN PERMISSION.



NOTE: ALL DIMENSIONS ARE REF. ONLY
DIMENSIONS IN () ARE IN INCHES