

# Technical Manual



# JBL2020H

## SPECIFICATIONS

### ACOUSTIC & ELECTRICAL SPECIFICATIONS:

- Nominal Impedance: 8 ohm
- Power Capacity: 300W AES Continuous Pink Noise
- Frequency Range: 50 Hz – 5.5 kHz
- Sensitivity: 103 dB SPL\*
- Crossover Frequency: 5 kHz

### SYSTEM COMPONENTS:

- Cabinet: N/A
- Grille: N/A
- Low Frequency Transducer: 300mm (12 in.) Cone
- DC Resistance: 4.8 ohm ±5%

### AURAL SWEEP TEST SPECIFICATIONS:

- L.F. Aural Sweep Test: 7.0V Input, 20 Hz to 6 kHz

### PHYSICAL SPECIFICATIONS:

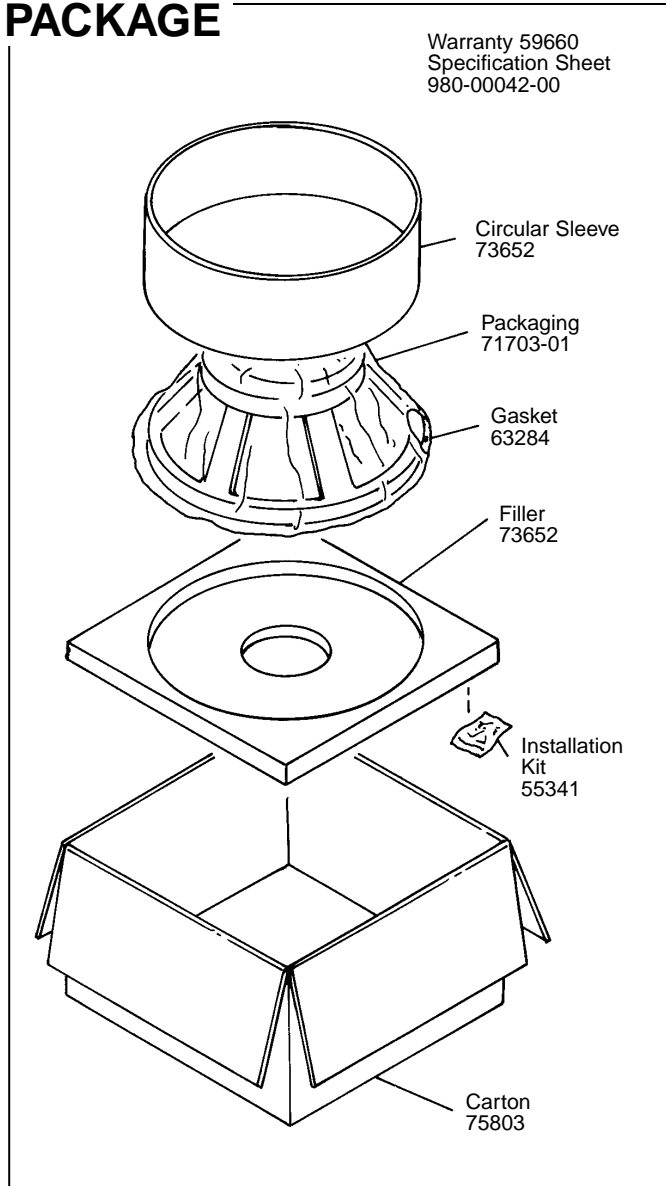
- Dimensions: 311mm Dia. x 149mm D  
(12.25 in. Dia. x 5.87 in. D)
- Shipping Weight: 21 lbs. (9.5 kg.)

### WARRANTY INFORMATION:

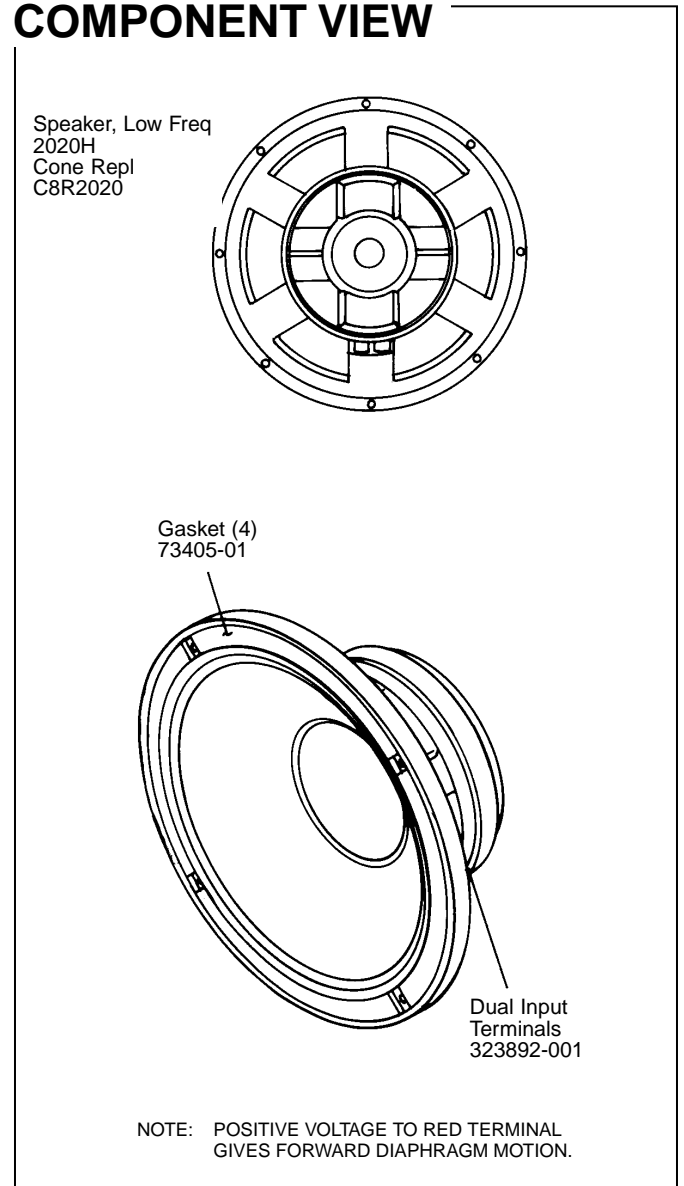
- Refer to Warranty Statement packed with each product.

\*1 Watt (2.83 V RMS) @ 1 Meter

## PACKAGE



## COMPONENT VIEW

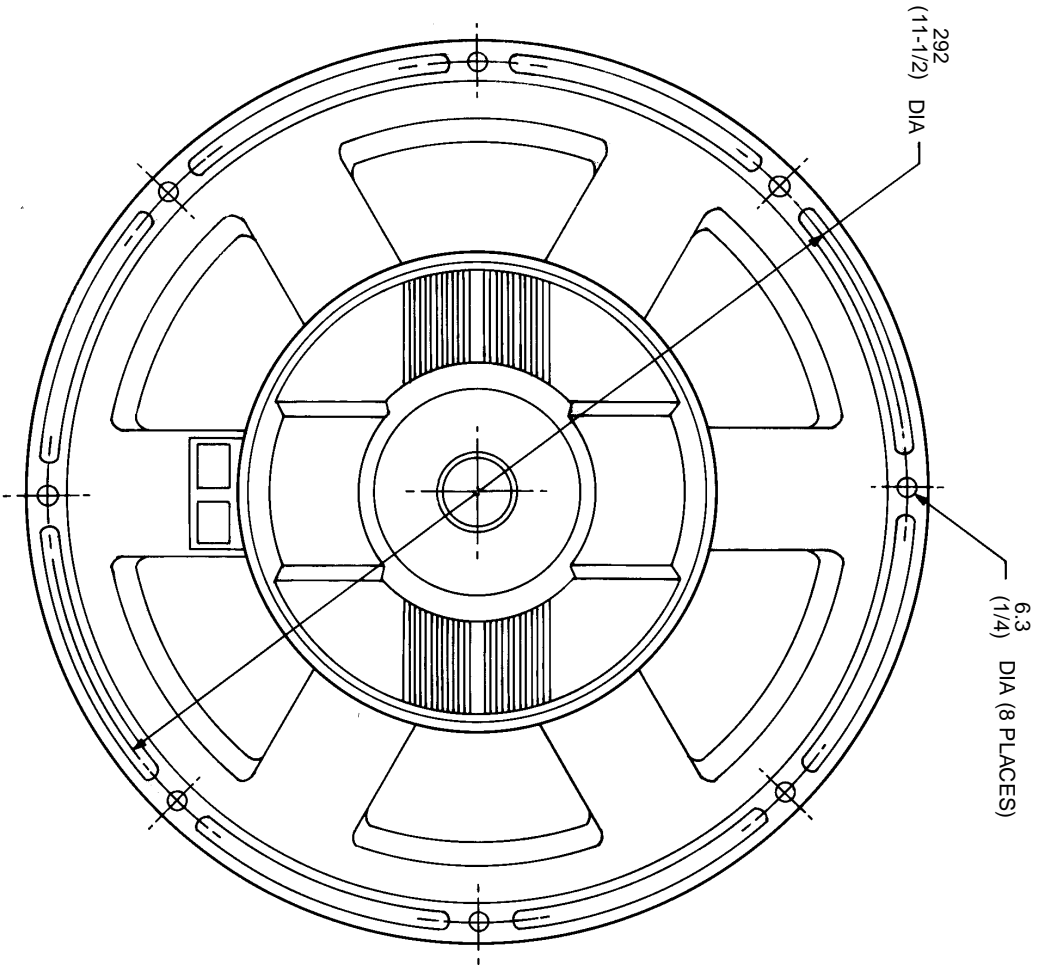
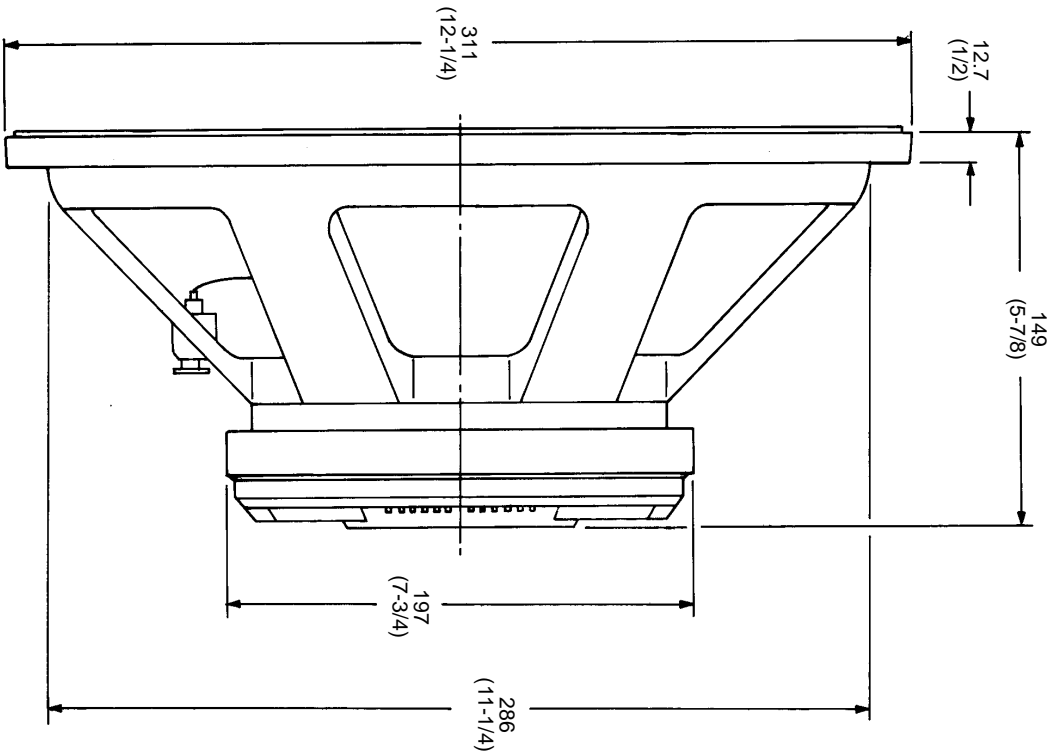


JBL2020H REV A

# JBL2020H

## MECHANICAL DRAWING

THESE DRAWINGS AND SPECIFICATIONS ARE THE PROPERTY OF JBL INCORPORATED. THEY ARE ISSUED IN STRICT CONFIDENCE AND SHALL NOT BE REPRODUCED, COPIED, OR USED AS THE BASIS FOR MANUFACTURE OR SALE OF APPARATUS WITHOUT WRITTEN PERMISSION.



NOTE: ALL DIMENSIONS ARE REF. ONLY  
DIMENSIONS IN ( ) ARE IN INCHES

JBL2020H