

# Technical Manual

# JBL2118H/J

## SPECIFICATIONS



### ACOUSTIC & ELECTRICAL SPECIFICATIONS:

- Nominal Impedance: 8 ohm (H) / 16 ohm (J)
- Power Capacity: 200W Continuous Program
- Frequency Range: 70 Hz to 7 kHz
- Sensitivity: 97 dB SPL\*
- Crossover Frequencies: N/A

### SYSTEM COMPONENTS:

- Cabinet: N/A
- Grille: N/A
- Mid Range Transducer: 200mm (8 in.) Cone Transducer (2118H/J)
- DC Resistance: 5.3 ohm ±10% Copper Wire (H)  
10.7 ohm ±10% Copper Wire (J)

### AURAL SWEEP TEST SPECIFICATIONS:

- A. L.F. Aural Sweep Test: 7.0V Input, 20 Hz to 1.2 kHz

### PHYSICAL SPECIFICATIONS:

- Enclosure Dimensions: 229mm x 229mm x 103mm D  
(9.0 x 9.0 x 4.06 in. D)
- Shipping Weight: 9-3/8 lbs. (4.3 kg)

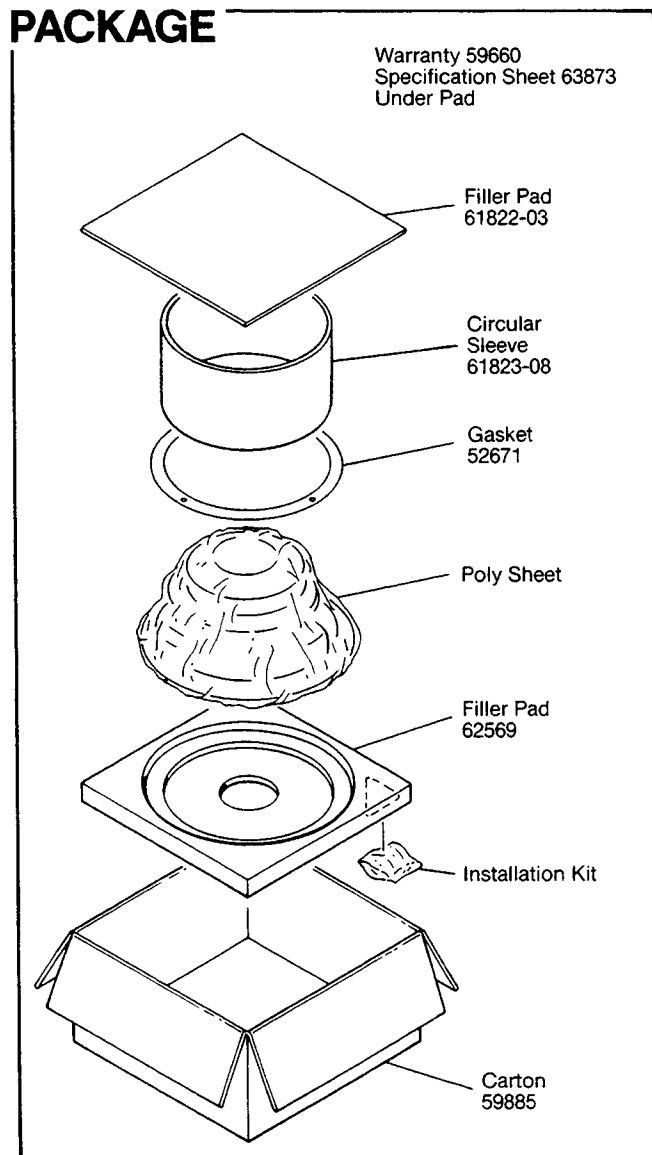
### WARRANTY INFORMATION:

- Refer to the Warranty Statement packed with each product.

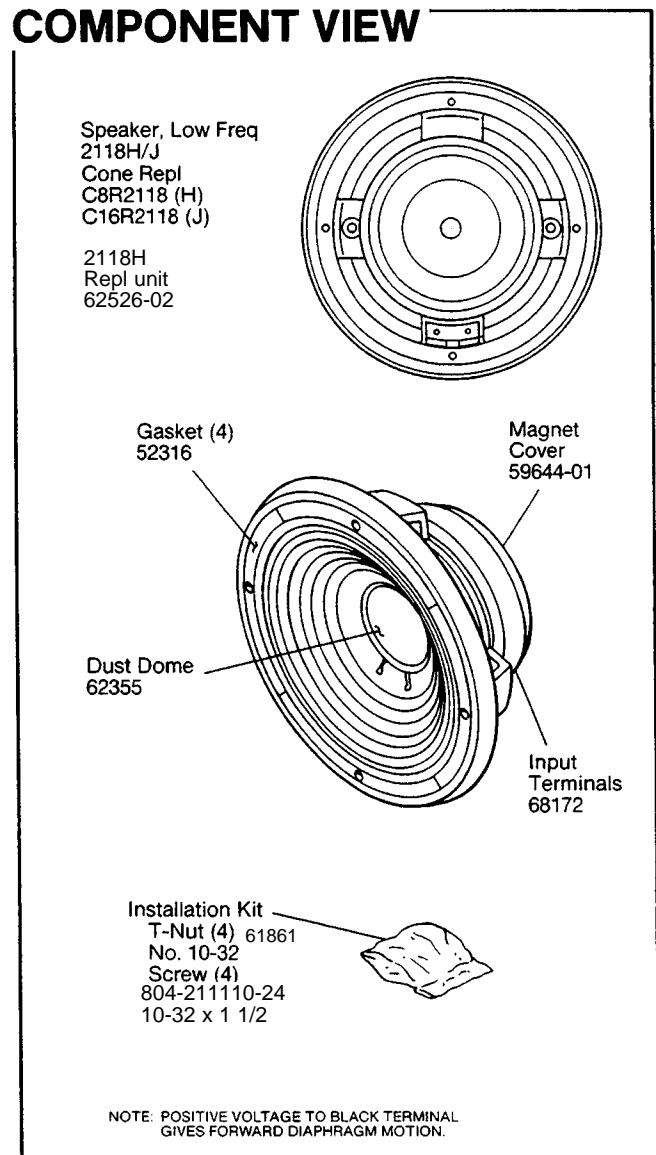
\*1 Watt (2.83 V RMS) @ 1 Meter (H)

\*1 Watt (4.0 V RMS) @ 1 Meter (J)

## PACKAGE



## COMPONENT VIEW

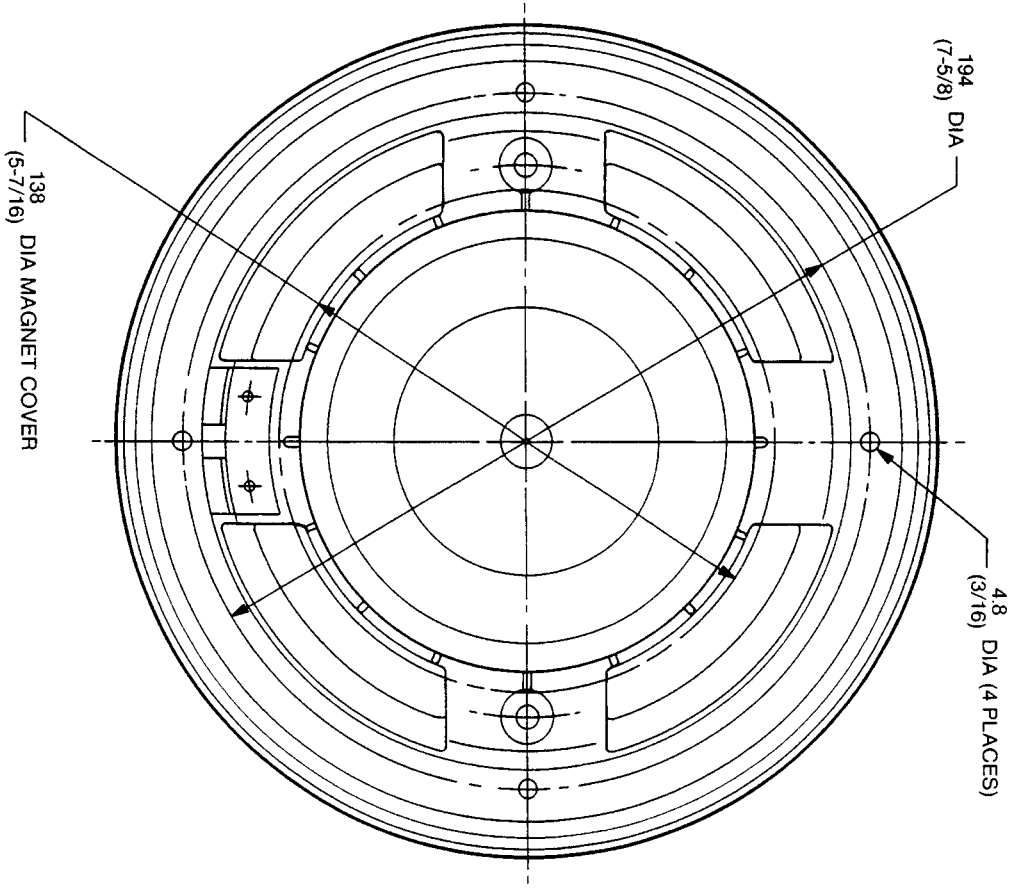
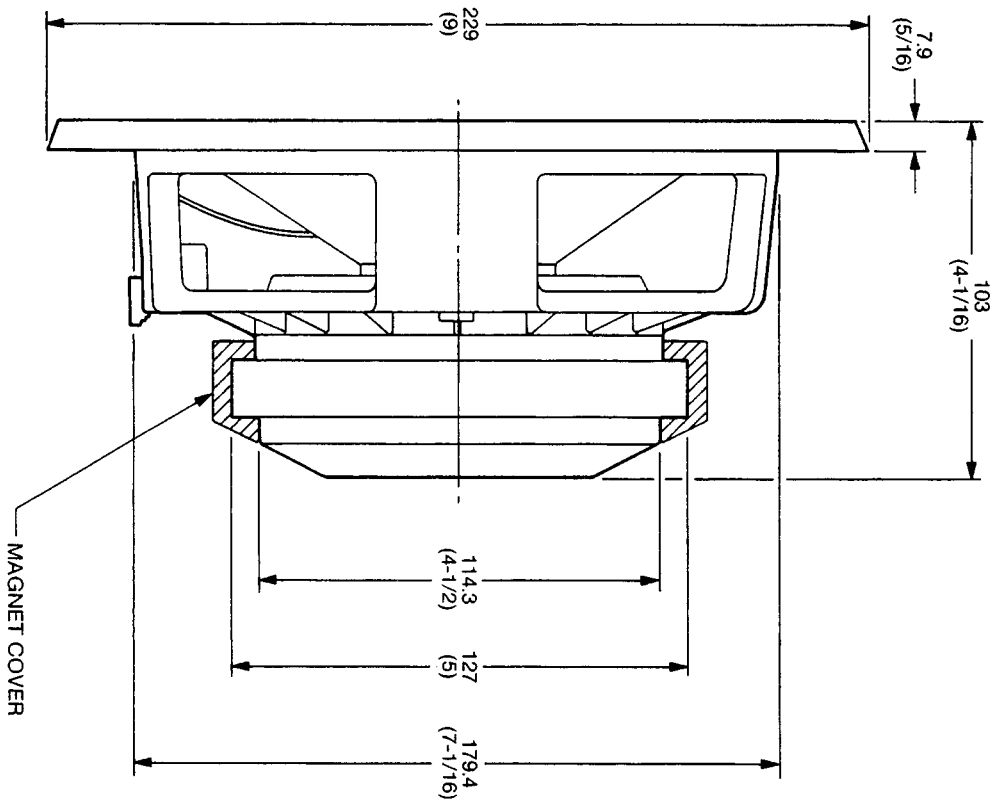


JBL2118H/J REV D

# JBL2118H/J

## MECHANICAL DRAWING

THESE DIMENSIONS AND SPECIFICATIONS ARE THE PROPERTY OF JBL INCORPORATED. THEY ARE ISSUED WITHOUT WARRANTY AND SHALL NOT BE REPRODUCED, COPIED, OR USED AS THE BASIS FOR MANUFACTURE OR SALE OF APPARATUS WITHOUT WRITTEN PERMISSION.



ALL DIMENSIONS ARE REF. ONLY  
NOTE: DIMENSIONS IN ( ) ARE IN INCHES

JBL2118H/J