

# Technical Manual

# JBL2155H

## SPECIFICATIONS



### ACOUSTIC & ELECTRICAL SPECIFICATIONS:

- Nominal Impedance: 8 ohm
- Power Rating: Continuous Pink Noise: 150W
- Frequency Range: 60 Hz to 17 kHz (-10 dB)
- Sensitivity: 102 dB SPL\*
- Crossover Frequencies: 1.2 kHz

### SYSTEM COMPONENTS:

- Cabinet: N/A
  - Grille: N/A
  - Low Frequency Transducer: 380mm (15 in.) Co-Axial Transducer
  - DC Resistance: 4.2 ohm  $\pm 10\%$  — Aluminum Wire
- \*1 Watt (2.83 V RMS) @ 1 Meter

### SYSTEM COMPONENTS: (cont'd)

- High Frequency Transducer: 25mm (1 in.) Pure Titanium Compression Driver (2416H-1)
- DC Resistance: 3.2 ohm  $\pm 8\%$  — Aluminum Wire
- Crossover Network: N2155H, 2 Way System (71831)

### AURAL SWEEP TEST SPECIFICATIONS:

- A. System Aural Sweep Test: 7.0V Input, 20 Hz to 20 kHz
- B. L.F. Aural Sweep Test: 7.0V Input, 20 Hz to 1.2 kHz
- C. H.F. Aural Sweep Test: 2.83V Input, 550 Hz to 1.2 kHz

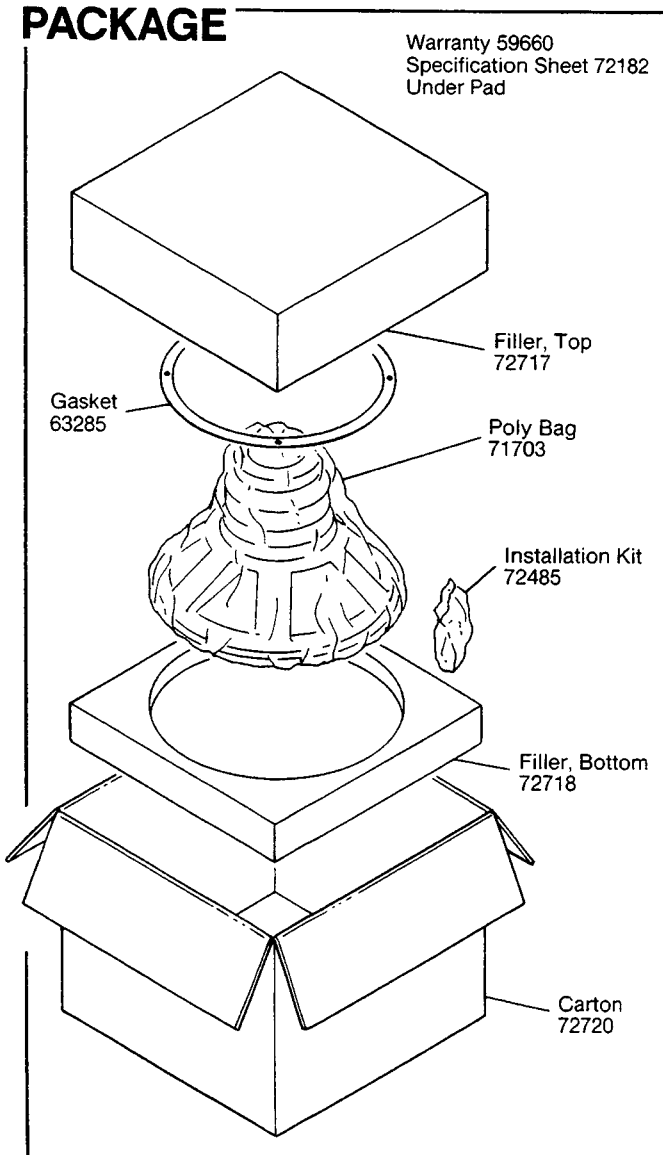
### PHYSICAL SPECIFICATIONS:

- Enclosure Dimensions: 391mm x 400mm x 257mm (15.37 x 15.75 x 10.12 in. D)
- Shipping Weight: 27 lbs. (12.2 kg)

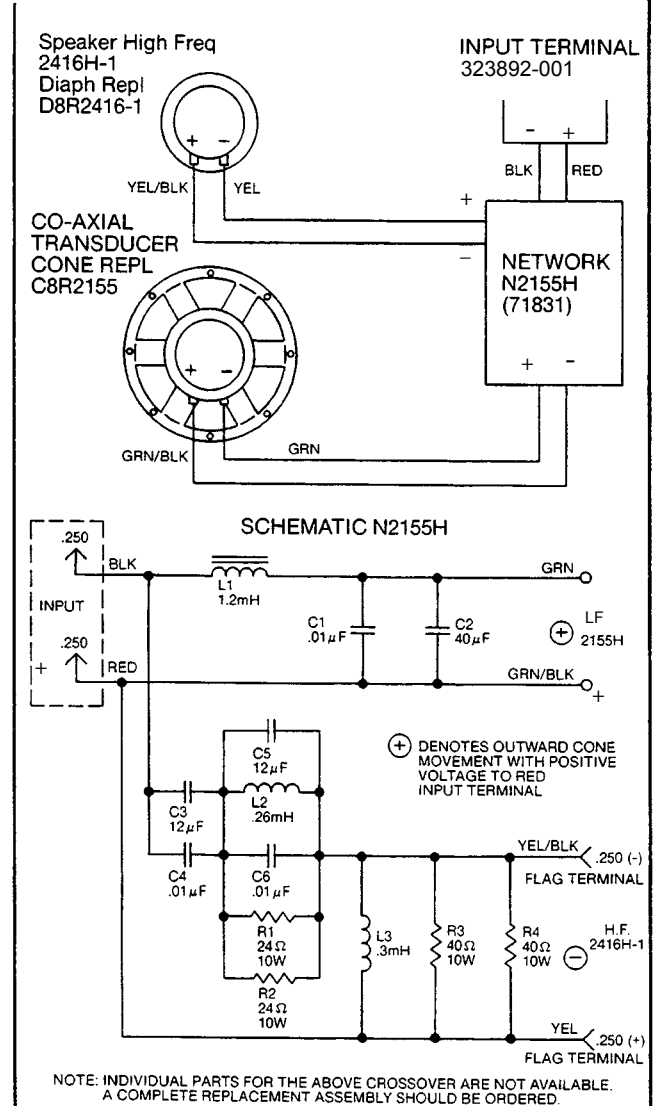
### WARRANTY INFORMATION:

- Refer to the Warranty Statement packed with each product.

## PACKAGE



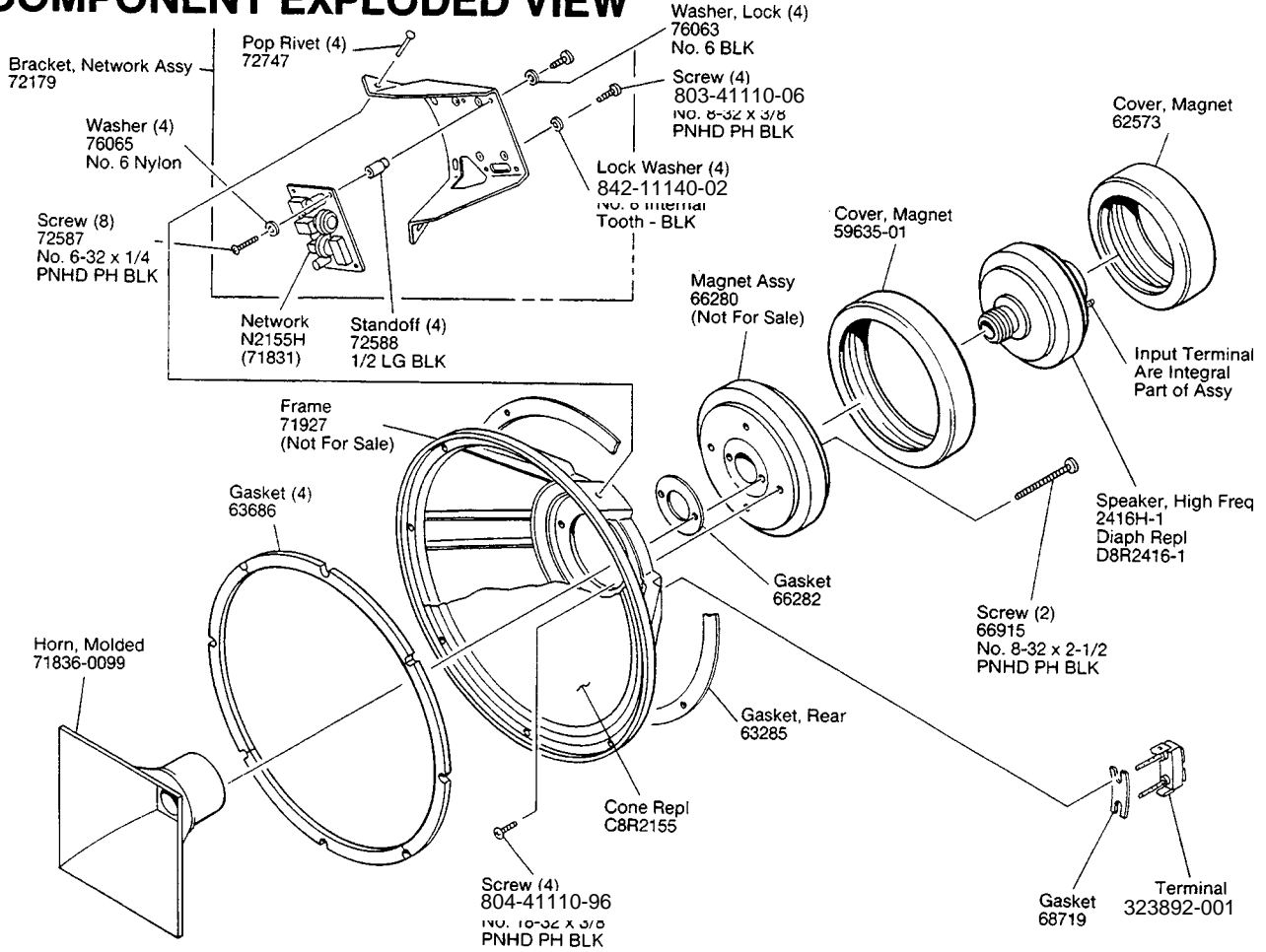
## WIRING DIAGRAM



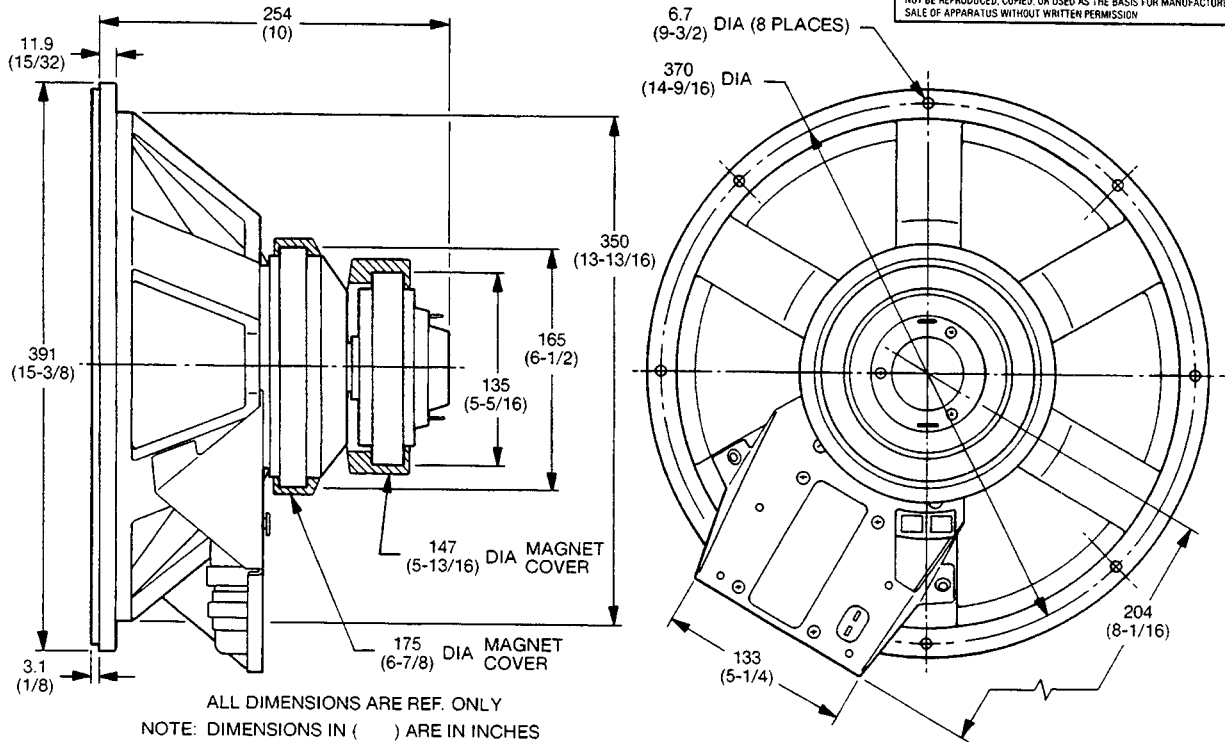
JBL2155H REV G

# JBL2155H

## COMPONENT EXPLODED VIEW



## MECHANICAL DRAWING



JBL2155H