

# JBL2202H/J

## SPECIFICATIONS

### ACOUSTIC & ELECTRICAL SPECIFICATIONS:

- Nominal Impedance: 8 ohm (H)  
16 ohm (J)
- Power Capacity: 300W Continuous Program
- Frequency Range: 60 Hz to 4 kHz
- Sensitivity: 99 dB SPL\*
- Crossover Frequencies: N/A

### SYSTEM COMPONENTS:

- Cabinet: N/A
- Grille: N/A
- Low Frequency Transducer: 300mm (12 in.) Cone Transducer (2202H/J)

\*1 Watt (2.83 V RMS) @ 1 Meter

### SYSTEM COMPONENTS: (cont'd)

- DC Resistance: 5.5 ohm ±10% Aluminum Wire (H)  
13.3 ohm ±10% Copper Wire (J)

### AURAL SWEEP TEST SPECIFICATIONS:

- A. L.F. Aural Sweep Test: 10.0V Input, 20 Hz to 1.2 kHz

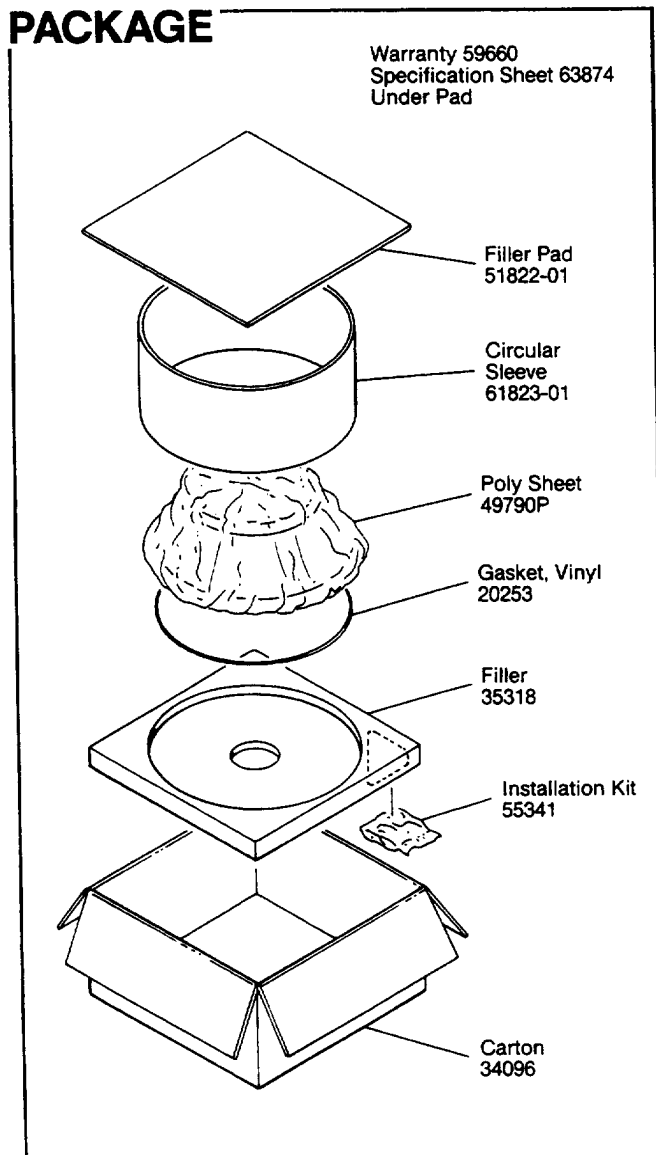
### PHYSICAL SPECIFICATIONS:

- Enclosure Dimensions: 311mm x 311mm x 121mm D  
(12.25 x 12.25 x 4.75 in. D)
- Shipping Weight: 21-7/8 lbs. (9.9 kg)

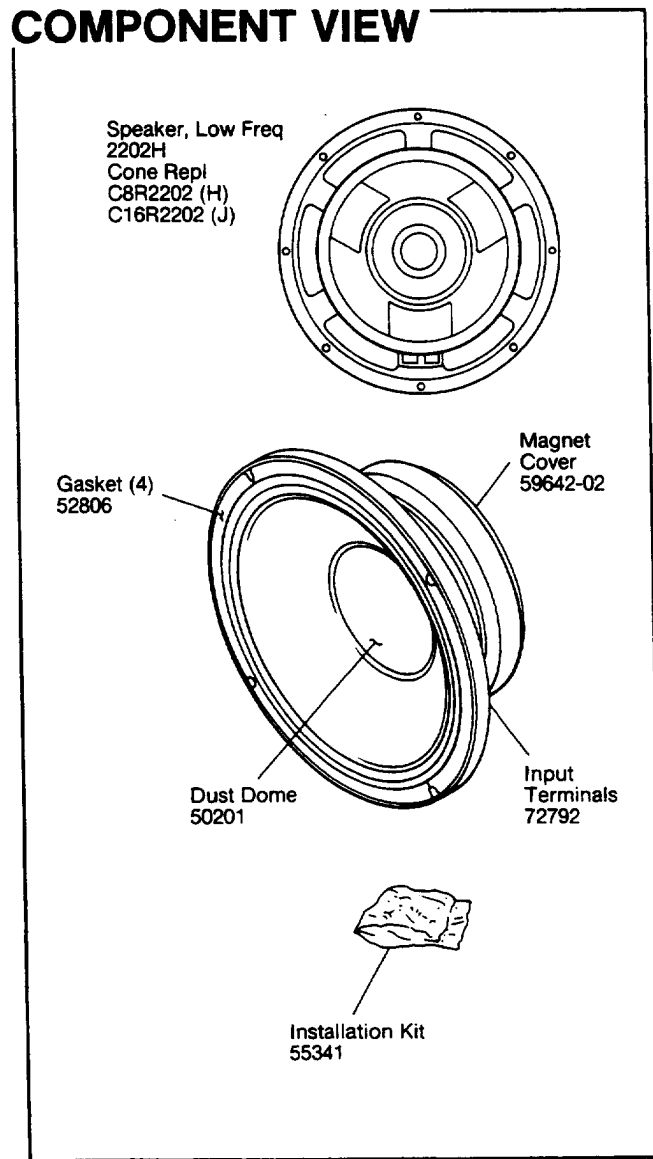
### WARRANTY INFORMATION:

- Refer to the Warranty Statement packed with each product.

## PACKAGE



## COMPONENT VIEW

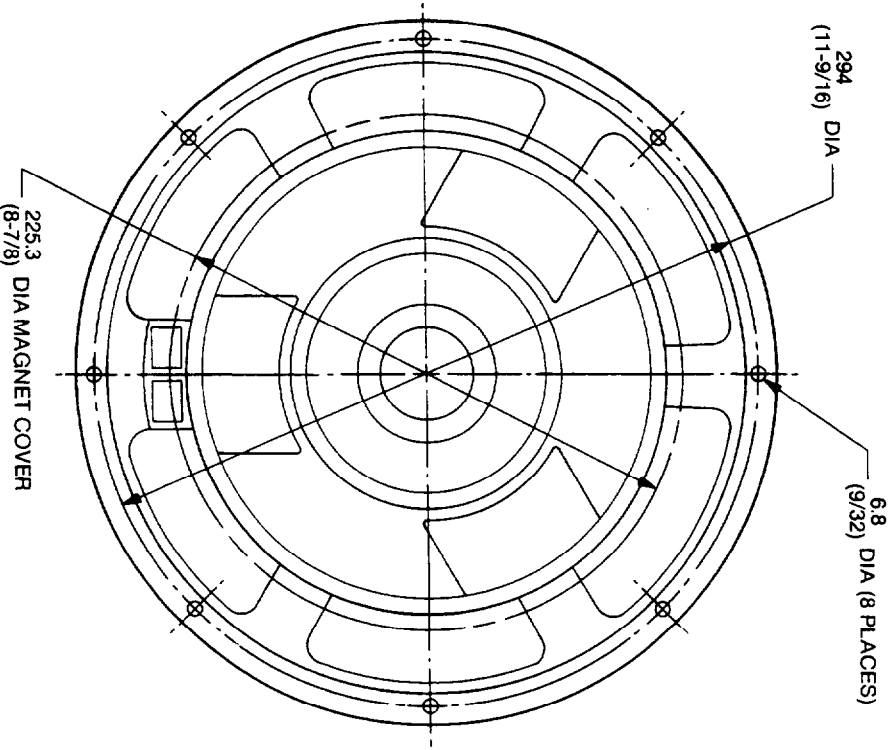
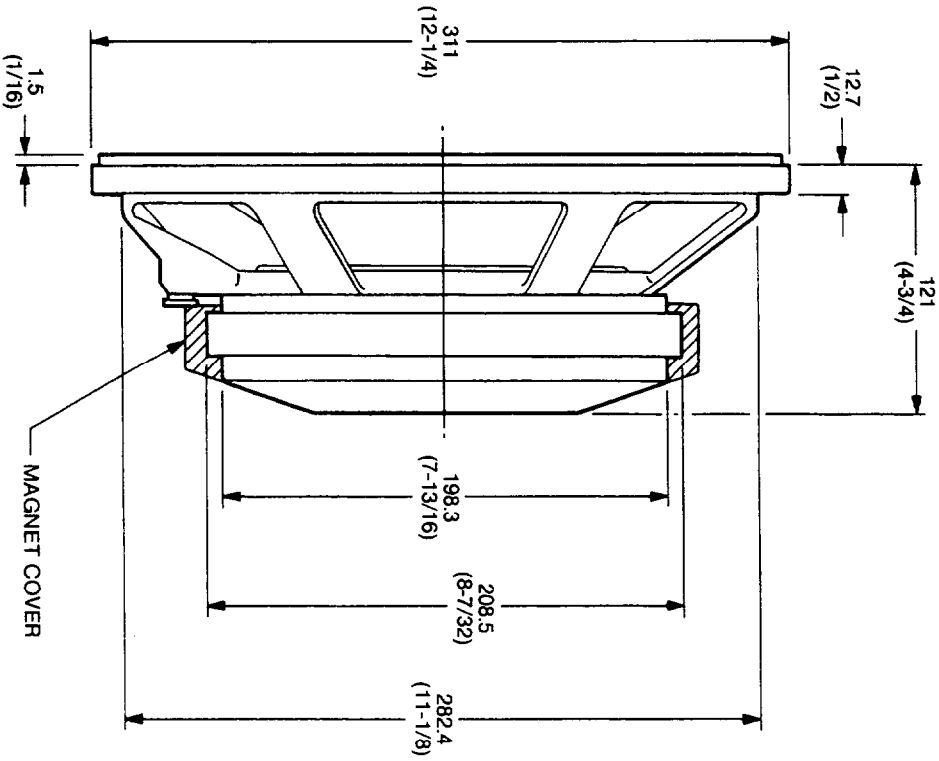


JBL2202H/J REV B

# JBL2202H/J

## MECHANICAL DRAWING

THESE DRAWINGS AND SPECIFICATIONS ARE THE PROPERTY OF JBL CORPORATION. THEY ARE ISSUED WITHOUT WARRANTY AND SHALL BE RETURNED TO THE ISSUING OFFICE UPON REQUEST. NO SALE OF APPLICABLE WITHOUT WRITTEN PERMISSION.



ALL DIMENSIONS ARE REF. ONLY  
NOTE: DIMENSIONS IN ( ) ARE IN INCHES

JBL2202H/J