

Technical Manual

JBL2226G/H/J

SPECIFICATIONS



ACOUSTIC & ELECTRICAL SPECIFICATIONS:

- Nominal Impedance: 4 ohm (G)
8 ohm (H)
16 ohm (J)
- Power Capacity: 600W AES Continuous Pink Noise
- Frequency Range: 30 Hz to 2.5 kHz
- Sensitivity: 97 dB SPL*
- Crossover Frequencies: N/A

SYSTEM COMPONENTS:

- Cabinet: N/A
- Grille: N/A
- Low Frequency Transducer: 380mm (15 in.) Cone Transducer (2226G/H/J)

*1 Watt (2.83 V RMS) @ 1 Meter

SYSTEM COMPONENTS: (cont'd)

- DC Resistance: 2.5 ohm \pm 10% Aluminum Wire (G)
5.0 ohm \pm 10% Aluminum Wire (H)
9.7 ohm \pm 10% Aluminum Wire (J)

AURAL SWEEP TEST SPECIFICATIONS:

- A. L.F. Aural Sweep Test: 10.0V Input, 20 Hz to 1.2 kHz

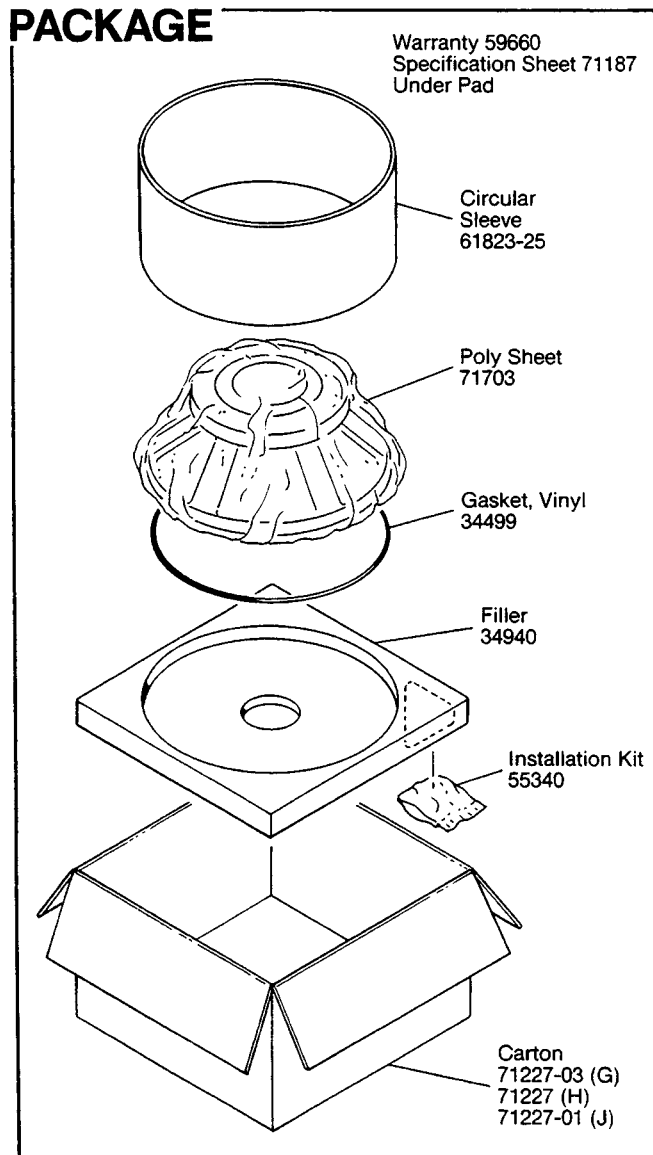
PHYSICAL SPECIFICATIONS:

- Enclosure Dimensions: 388mm x 388mm x 137mm D
(15.26 x 15.26 x 5.5 in. D)
- Shipping Weight: 21.5 lbs. (9.8 kg)

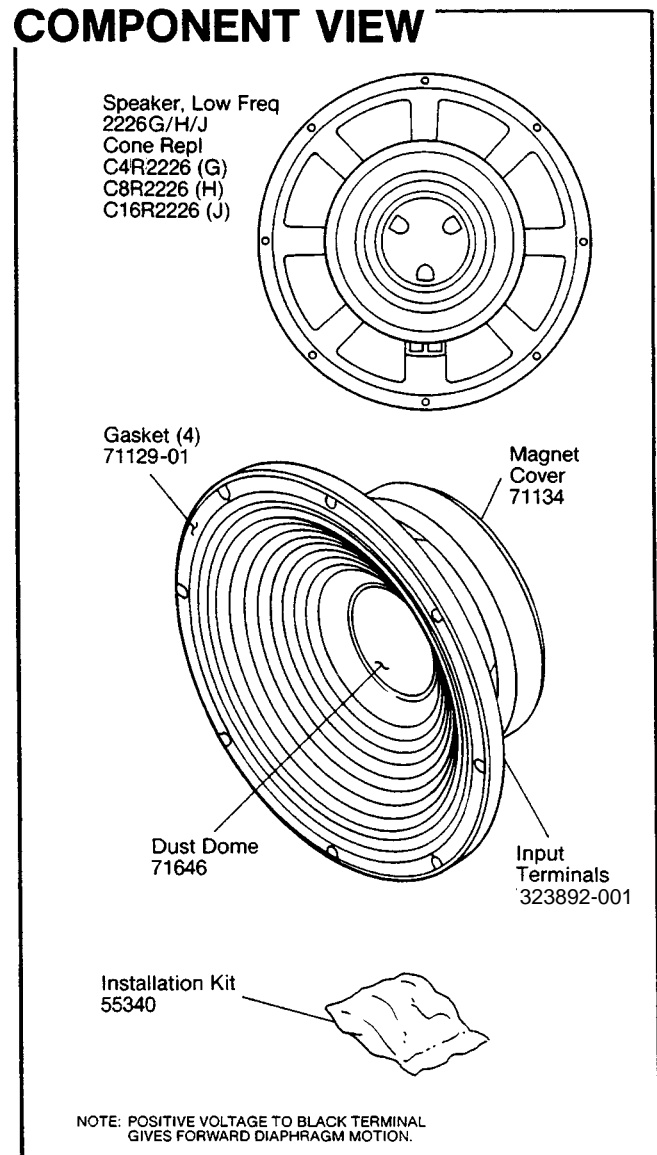
WARRANTY INFORMATION:

- Refer to the Warranty Statement packed with each product.

PACKAGE



COMPONENT VIEW

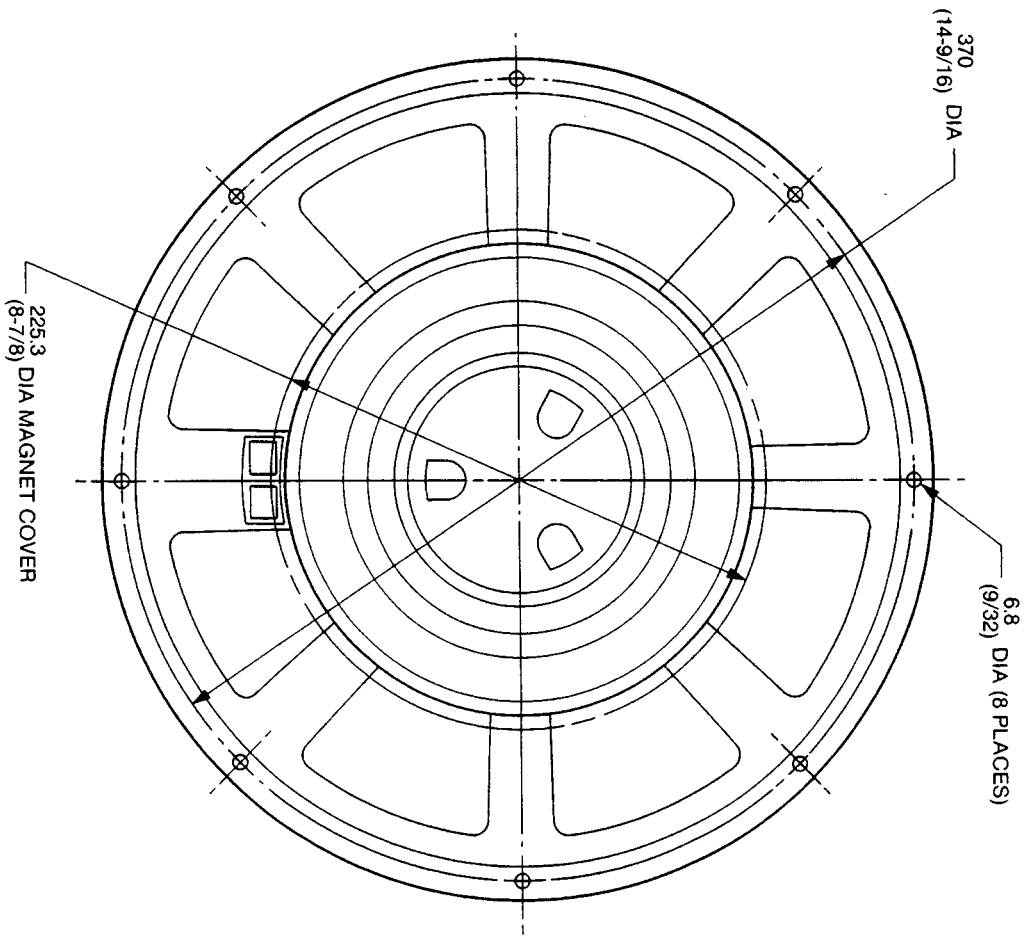
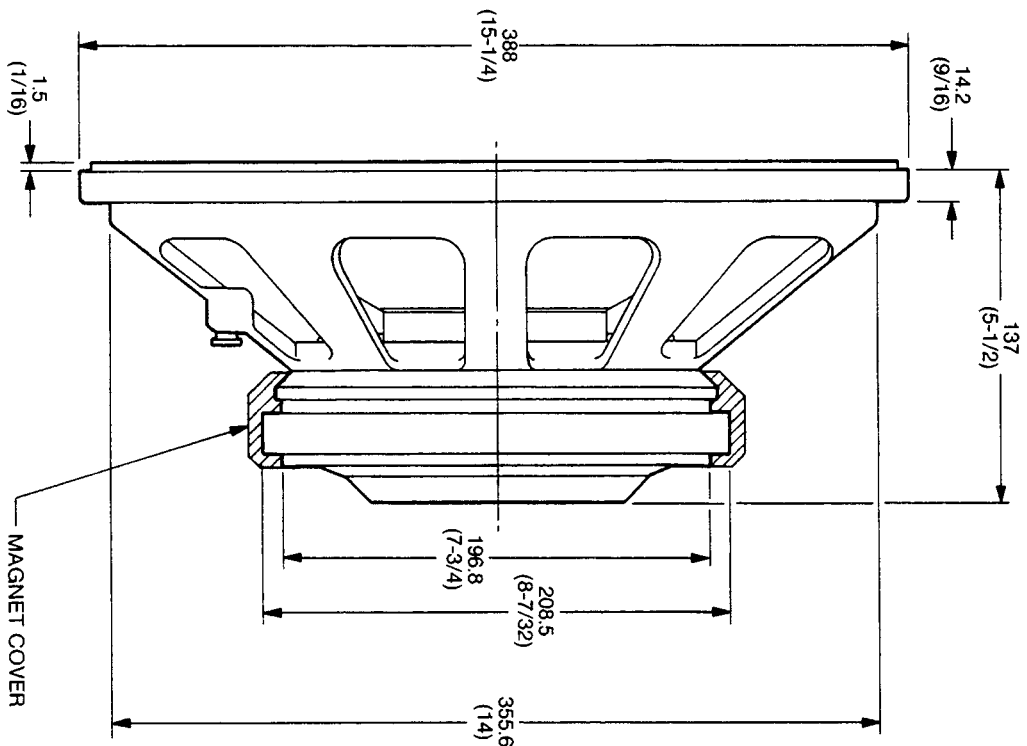


JBL2226G/H/J REV C

JBL2226G/H/J

MECHANICAL DRAWING

THESE DRAWINGS AND SPECIFICATIONS ARE THE PROPERTY OF JBL. INCORPORATED. THEY ARE ISSUED IN STRICT CONFIDENCE AND SHALL NOT BE REPRODUCED, COPIED, OR USED AS THE BASIS FOR MANUFACTURE OR SALE OF APPARATUS WITHOUT WRITTEN PERMISSION.



ALL DIMENSIONS ARE REF. ONLY
NOTE: DIMENSIONS IN () ARE IN INCHES

JBL2226G/H/J