

# Technical Manual

# JBL2235H

## SPECIFICATIONS



### ACOUSTIC & ELECTRICAL SPECIFICATIONS:

- Nominal Impedance: 8 ohm
- Power Capacity: 300 W Continuous Program
- Frequency Range: 20 Hz to 2 kHz
- Sensitivity: 93 dB SPL\*
- Crossover Frequencies: N/A

### SYSTEM COMPONENTS:

- Cabinet: N/A
- Grille: N/A
- Low Frequency Transducer: 380mm (15 in.) Cone Transducer (2235H)
- DC Resistance: 6.0 ohm  $\pm$ 10% Copper Wire

### AURAL SWEEP TEST SPECIFICATIONS:

- L.F. Aural Sweep Test: 10.0V Input, 20 Hz to 1.2 kHz

### PHYSICAL SPECIFICATIONS:

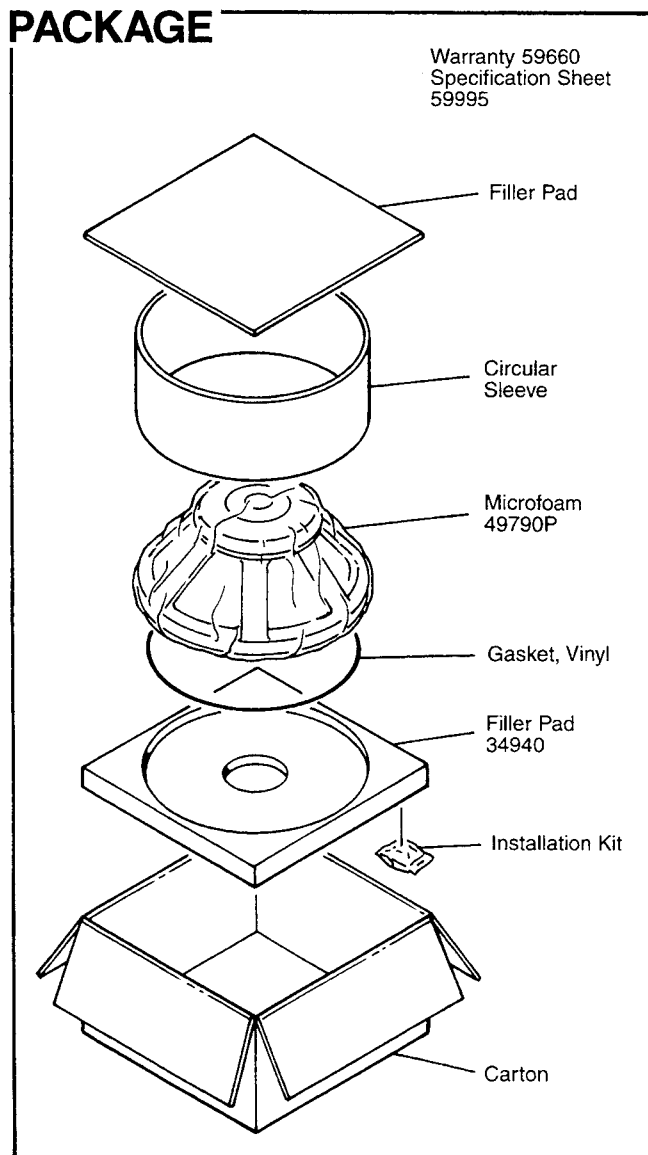
- Enclosure Dimensions: 387mm x 387mm x 135mm D (15.25 x 15.25 x 5.31 in. D)
- Net Weight: 24-3/4 lbs. (11.2 kg.)

### WARRANTY INFORMATION:

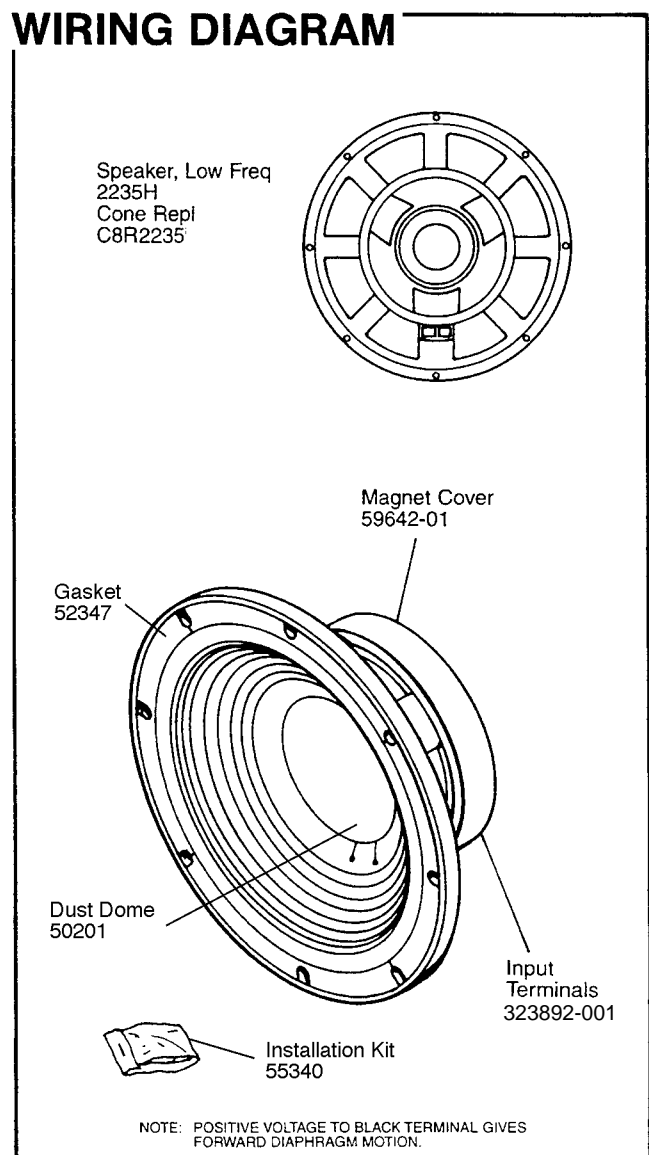
- Refer to the Warranty Statement packed with each product.

\*1 Watt (2.83 V RMS) @ 1 Meter

## PACKAGE



## WIRING DIAGRAM

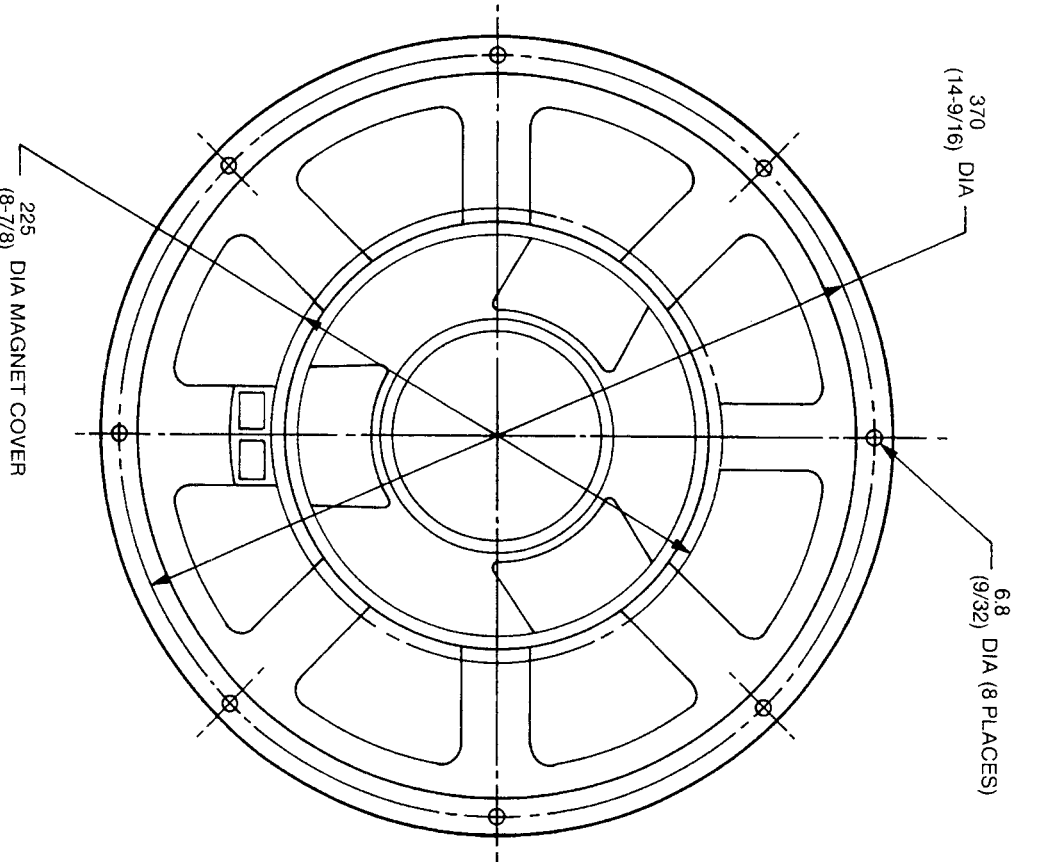
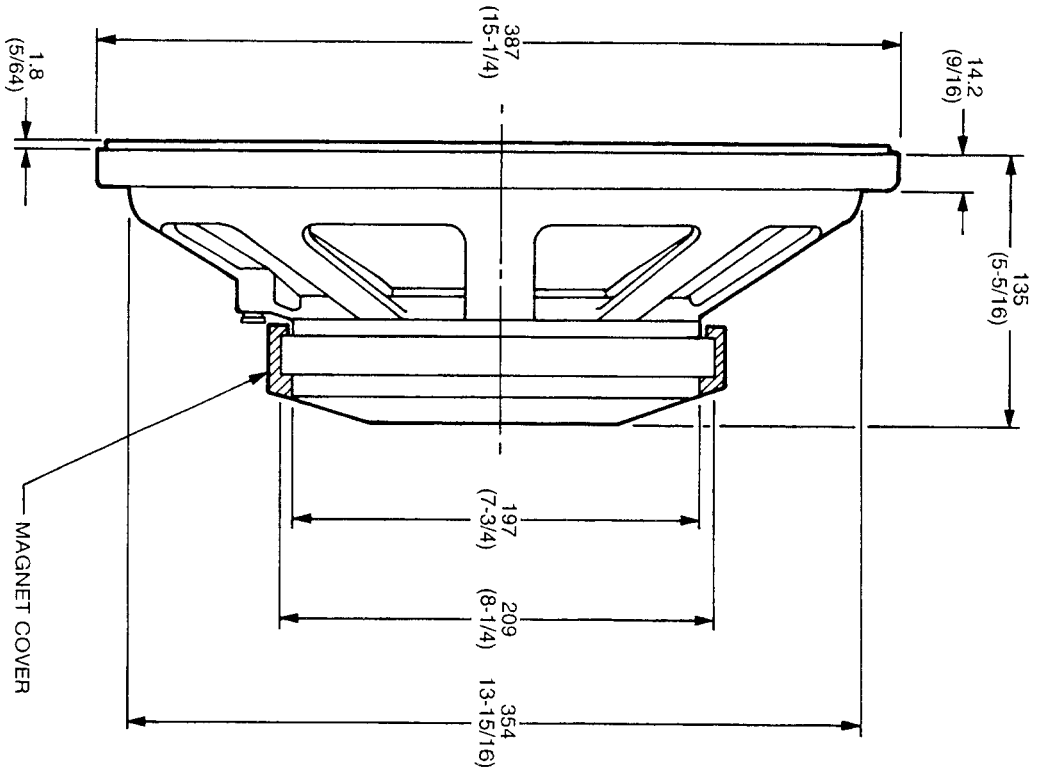


JBL2235H REV C

# JBL2235H

THESE DRAWINGS AND SPECIFICATIONS ARE THE PROPERTY OF JBL CORPORATION. THEY ARE ISSUED IN STRICT CONFIDENCE AND SHALL NOT BE REPRODUCED OR TRANSMITTED IN ANY FORM OR BY ANY MEANS, ELECTRONIC OR MECHANICAL, INCLUDING PHOTOCOPYING, RECORDING, OR BY ANY INFORMATION STORAGE AND RETRIEVAL SYSTEM, WITHOUT THE WRITTEN PERMISSION OF JBL CORPORATION.

## MECHANICAL DRAWING



ALL DIMENSIONS ARE REF. ONLY  
NOTE: DIMENSIONS IN ( ) ARE IN INCHES

JBL2235H