

# Technical Manual

# JBL2245H

## SPECIFICATIONS



### ACOUSTIC & ELECTRICAL SPECIFICATIONS:

- Nominal Impedance: 8 ohm
- Power Capacity: 600W Continuous Program
- Frequency Range: 20 Hz to 2 kHz
- Sensitivity: 95 dB SPL\*
- Crossover Frequencies: N/A

### SYSTEM COMPONENTS:

- Cabinet: N/A
- Grille: N/A
- Low Frequency Transducer: 460mm (18 in.) Cone Transducer (2245H)
- DC Resistance: 5.1 ohm  $\pm$ 10% Copper Wire

### AURAL SWEEP TEST SPECIFICATIONS:

- A. L.F. Aural Sweep Test: 10.0V Input, 20 Hz to 1.2 kHz (G)

### PHYSICAL SPECIFICATIONS:

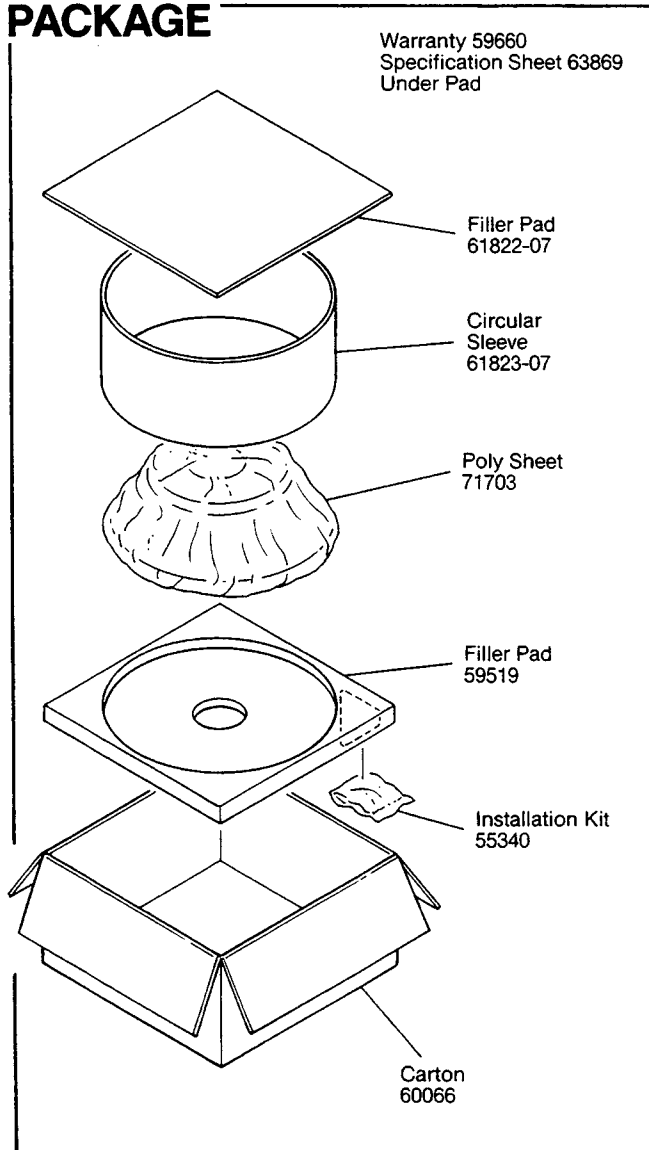
- Enclosure Dimensions: 464mm x 464mm x 184mm D (18.25 x 18.25 x 7.25 in. D)
- Shipping Weight: 32 lbs. (14.5 kg)

### WARRANTY INFORMATION:

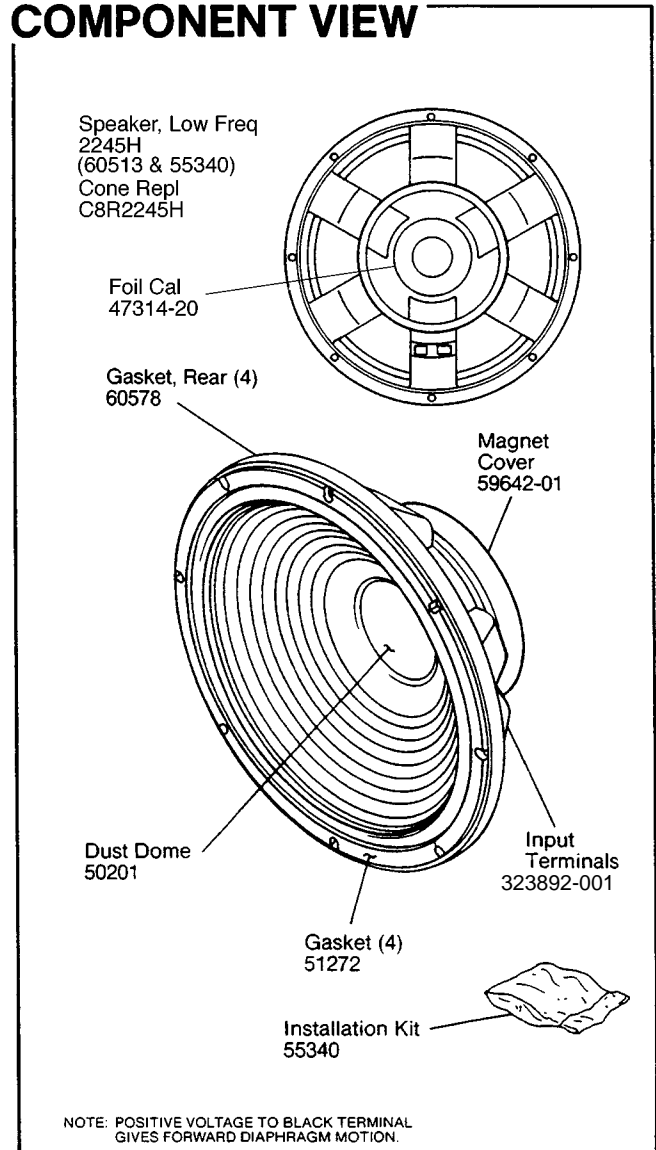
- Refer to the Warranty Statement packed with each product.

\*1 Watt (2.83 V RMS) @ 1 Meter

## PACKAGE



## COMPONENT VIEW

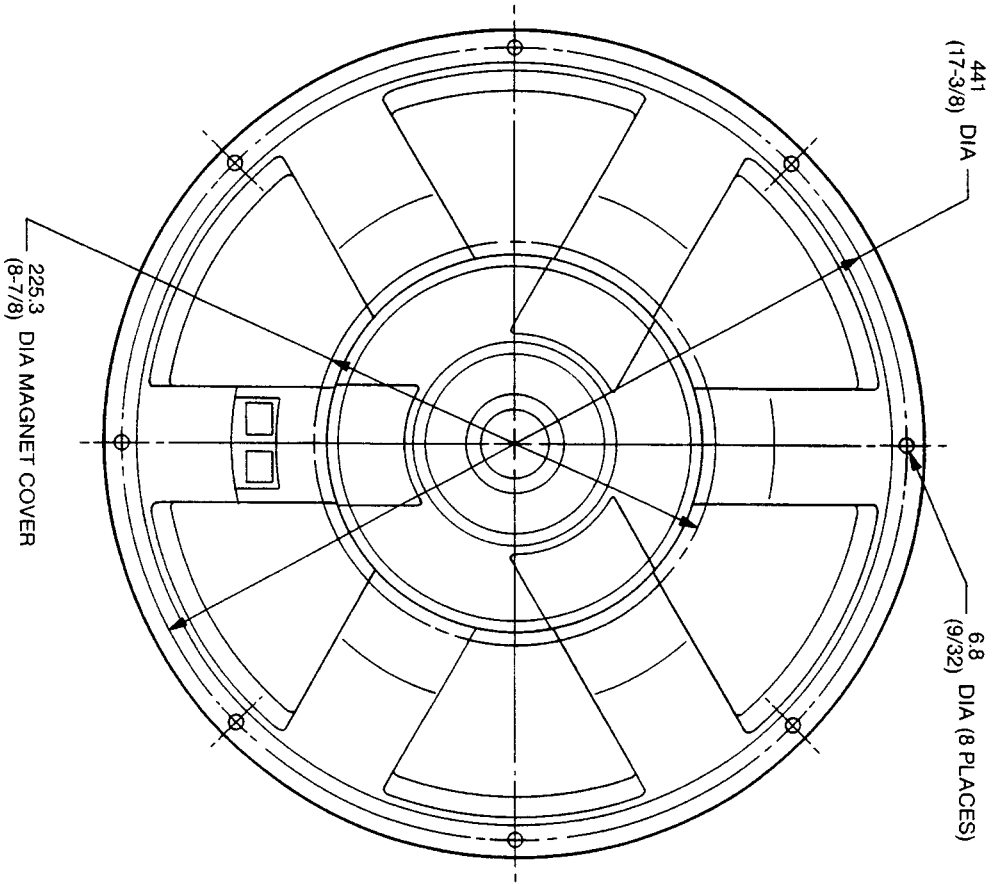
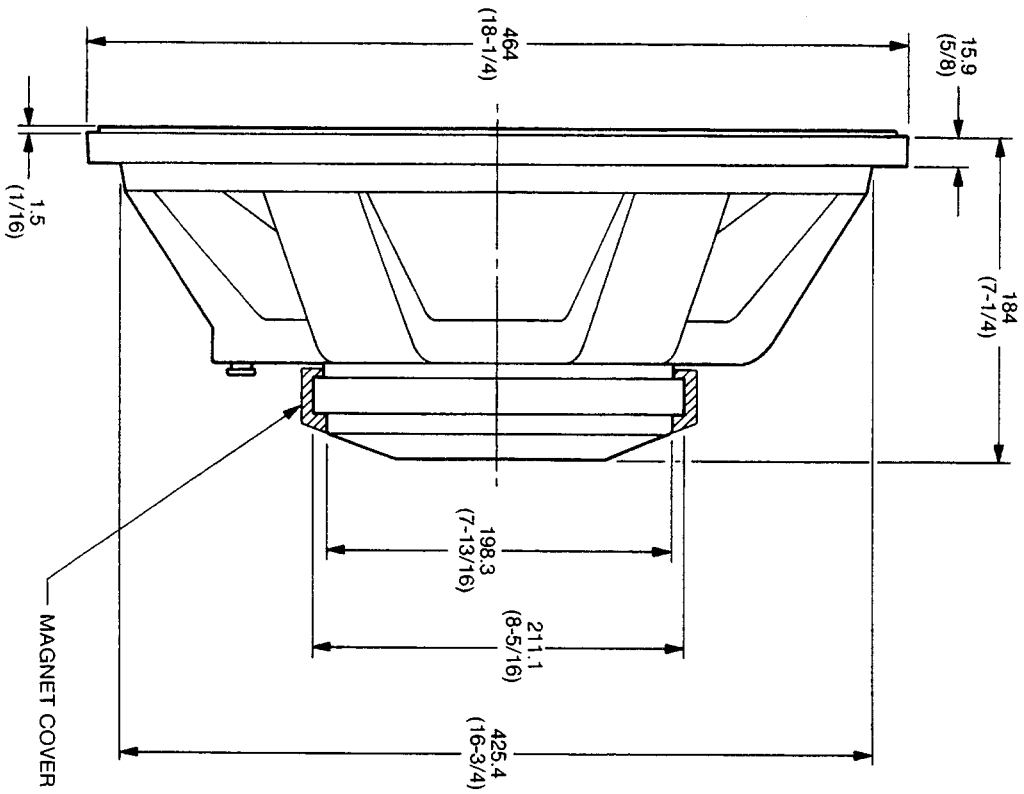


JBL2245H REV E

# JBL2245H

## MECHANICAL DRAWING

THESE DRAWINGS AND SPECIFICATIONS ARE THE PROPERTY OF JBL. UNLESS OTHERWISE SPECIFIED, THEY ARE ISSUED IN STRICT CONFIDENCE AND SHALL NOT BE REPRODUCED, COPIED, OR USED AS THE BASIS FOR MANUFACTURE OR SALE OF APPARATUS WITHOUT WRITTEN PERMISSION.



ALL DIMENSIONS ARE REF. ONLY  
NOTE: DIMENSIONS IN ( ) ARE IN INCHES

JBL2245H