

Technical Manual

JBL2402H

SPECIFICATIONS



ACOUSTIC & ELECTRICAL SPECIFICATIONS:

- Nominal Impedance: 8 ohm
- Power Capacity: 40W Continuous Program
- Frequency Range: 2.5 kHz to 15 kHz (-10 dB)
- Sensitivity: 110 dB SPL*
- Crossover Frequencies: 2.5 kHz or Higher

SYSTEM COMPONENTS:

- Cabinet: N/A
- Grille: N/A
- Ultra-High Frequency Transducer: 44mm (1-3/4 in.) Aluminum Diaphragm (2402H)
- DC Resistance: 6.25 ohm ±8% Aluminum Wire

AURAL SWEEP TEST SPECIFICATIONS:

A. H.F. Aural Sweep Test: 1.0V Input, 1.0 kHz to 20.0 kHz

PHYSICAL SPECIFICATIONS:

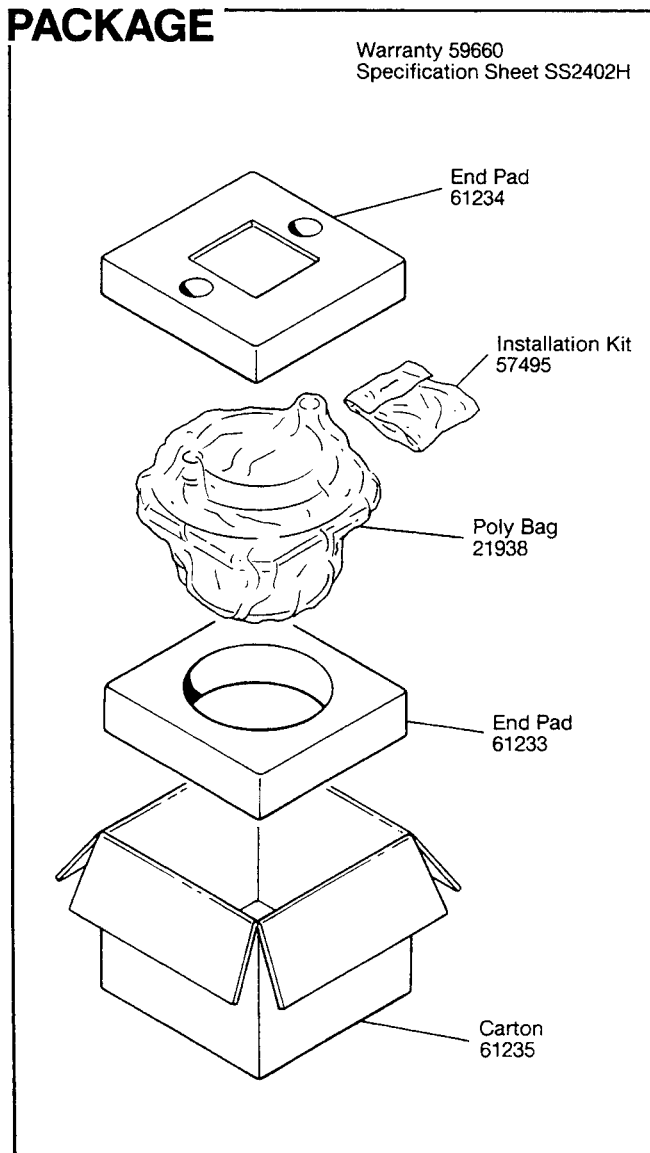
- Enclosure Dimensions: 121mm x 121mm x 98mm D (4.75 x 4.75 x 3.875 in. D)
- Shipping Weight: 5-3/4 lbs. (2.6 kg.)

WARRANTY INFORMATION:

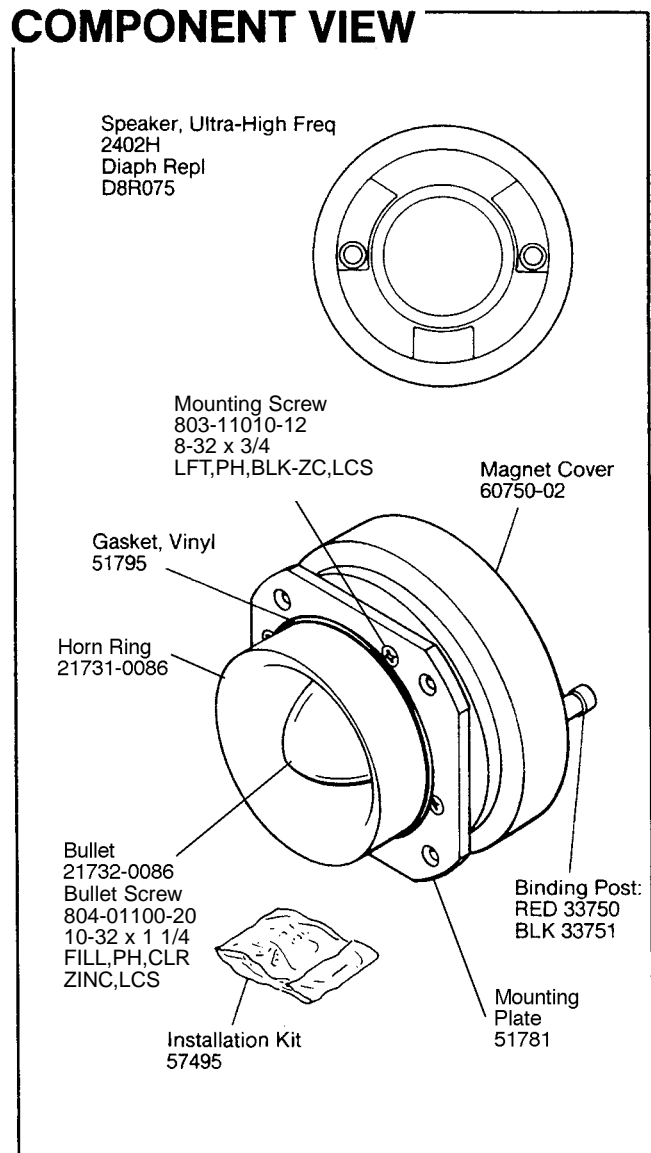
- Refer to the Warranty Statement packed with each product.

*1 Watt (2.83 V RMS) @ 1 Meter

PACKAGE



COMPONENT VIEW

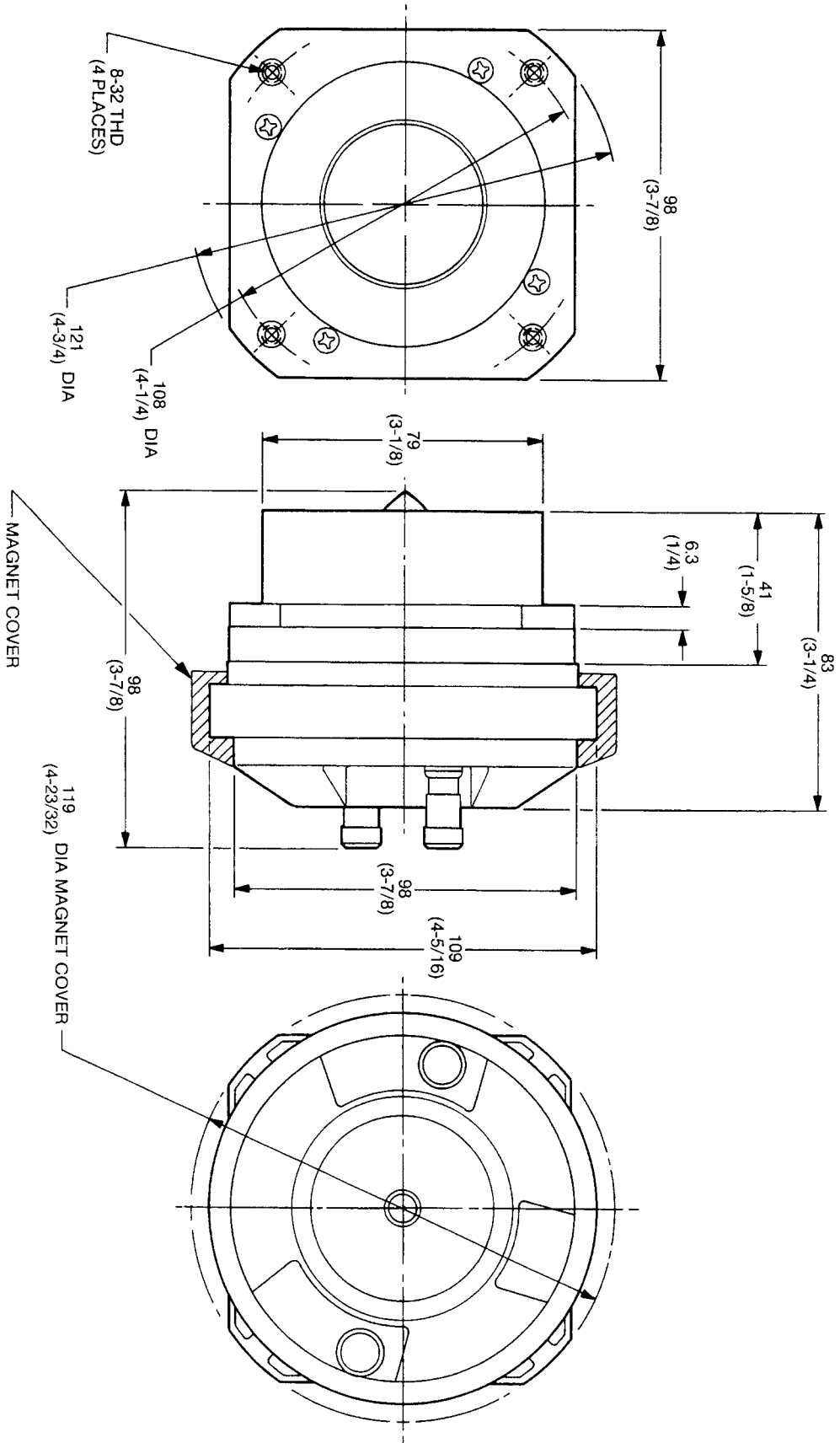


JBL 2402H REV E

JBL 2402H

MECHANICAL DRAWING

THESE DRAWINGS AND SPECIFICATIONS ARE THE PROPERTY OF JBL INCORPORATED. THEY ARE ISSUED IN STRICT CONFIDENCE AND SHALL NOT BE REPRODUCED, COPIED, OR USED AS THE BASIS FOR MANUFACTURE OR SALE OF APPROXIMATE WITHOUT WRITTEN PERMISSION.



ALL DIMENSIONS ARE REF. ONLY
NOTE: DIMENSIONS IN () ARE IN INCHES

JBL 2402H