

Technical Manual

JBL2404H

SPECIFICATIONS



ACOUSTIC & ELECTRICAL SPECIFICATIONS:

- Nominal Impedance: 8 ohm
- Power Capacity: 40W Continuous Program
- Frequency Range: 3 kHz to 21.5 kHz (-10 dB)
- Sensitivity: 105 dB SPL*
- Crossover Frequencies: 3 kHz or Higher

SYSTEM COMPONENTS:

- Cabinet: N/A
- Grille: N/A
- Ultra-High Frequency Transducer: 44mm (1-3/4 in.) Aluminum Diaphragm (2404H)
- DC Resistance: 6.25 ohm \pm 8% Aluminum Wire

AURAL SWEEP TEST SPECIFICATIONS:

- A. H.F. Aural Sweep Test: 1.0V Input, 1.0 kHz to 20.0 kHz

PHYSICAL SPECIFICATIONS:

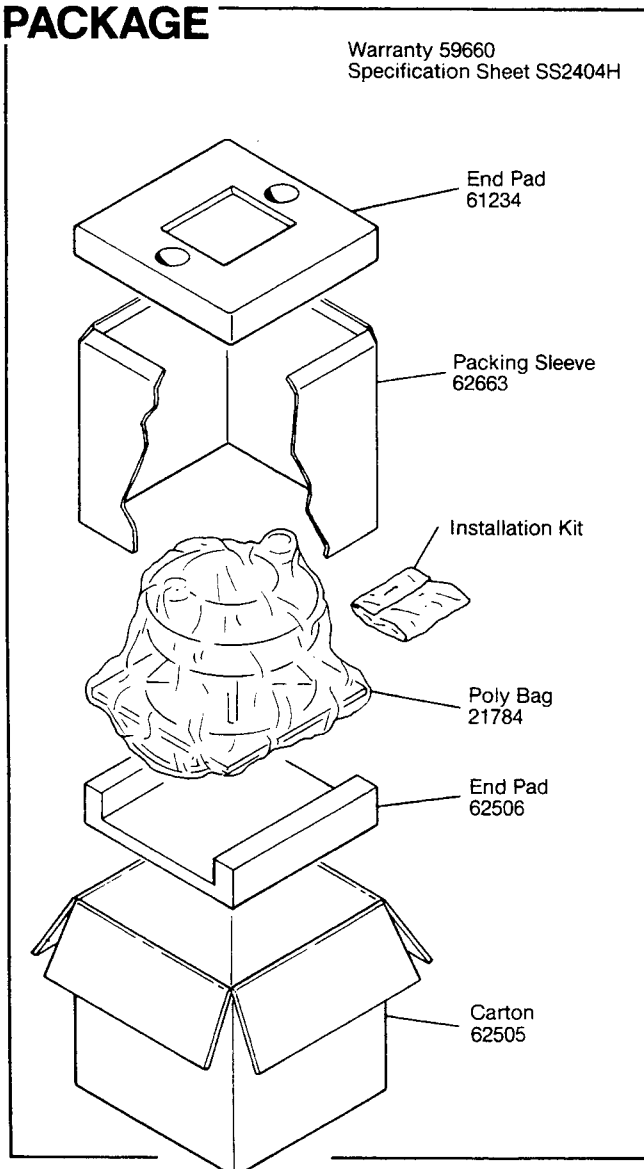
- Enclosure Dimensions: 130mm x 130mm x 129mm D (5.12 x 5.12 x 5.06 in. D)
- Shipping Weight: 6 lbs. (2.7 kg.)

WARRANTY INFORMATION:

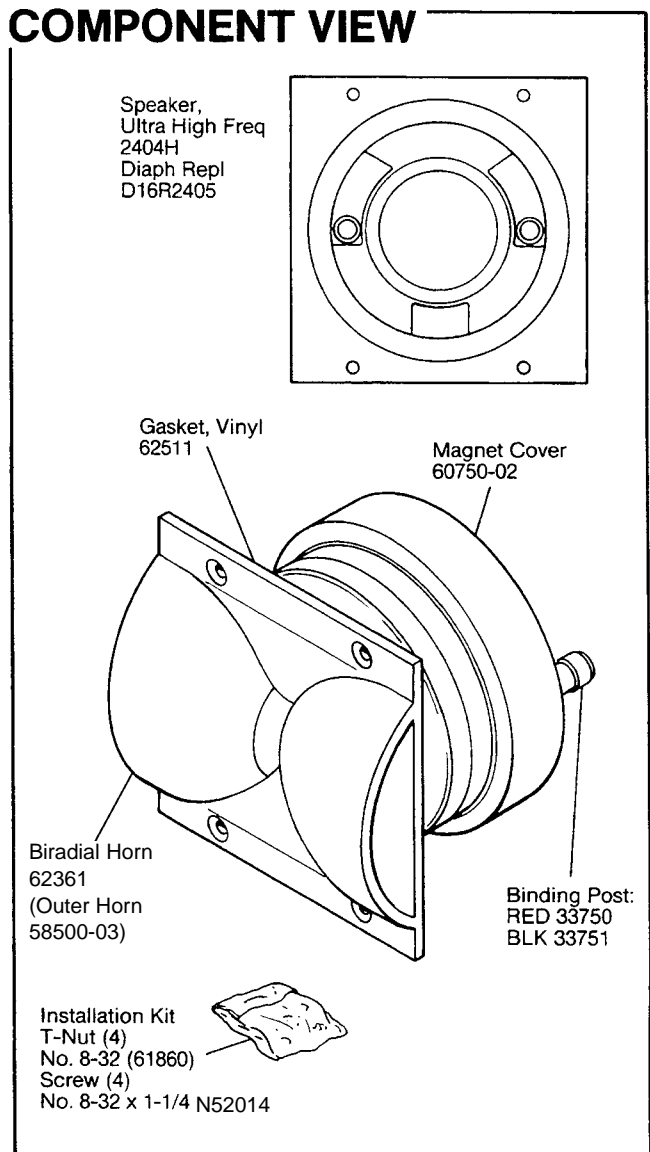
- Refer to the Warranty Statement packed with each product.

*1 Watt (2.83 V RMS) @ 1 Meter

PACKAGE



COMPONENT VIEW

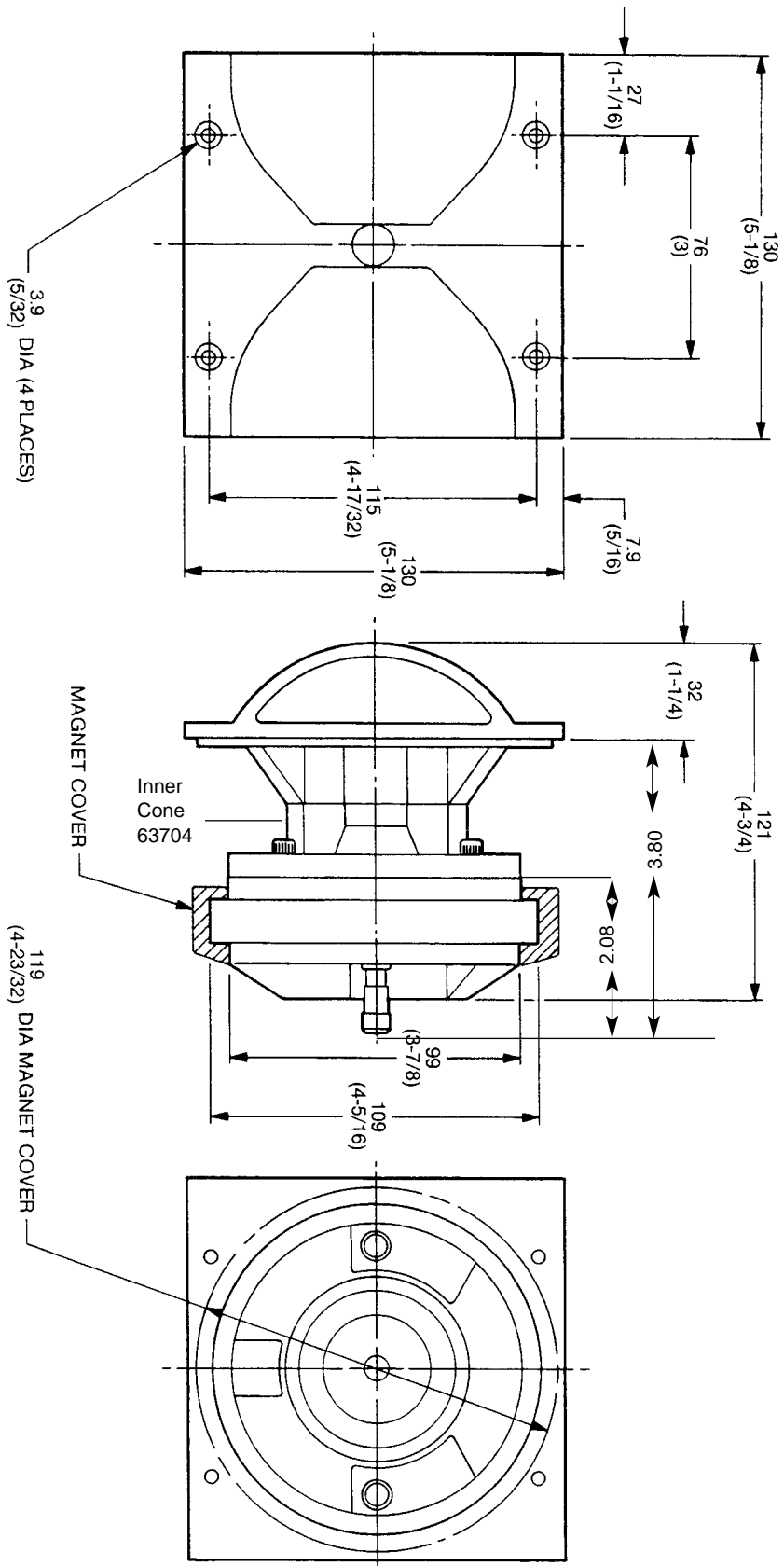


JBL 2404H REV G

JBL2404H

MECHANICAL DRAWING

THESE DIMENSIONS AND SPECIFICATIONS ARE THE PROPERTY OF JBL INCORPORATED. THEY ARE ISSUED IN STRICT CONFIDENCE AND SHALL NOT BE REPRODUCED, COPIED OR USED AS THE BASIS FOR MANUFACTURE OR SALE OF APPARATUS WITHOUT WRITTEN PERMISSION.



ALL DIMENSIONS ARE REF. ONLY
 NOTE: DIMENSIONS IN () ARE IN INCHES

JBL 2404H