

Technical Manual

JBL2405H

SPECIFICATIONS



ACOUSTIC & ELECTRICAL SPECIFICATIONS:

- Nominal Impedance: 8 ohm
- Power Capacity: 40W Continuous Program Above 6 kHz
- Frequency Range: 6.5 kHz to 21.5 kHz (-10 dB)
- Sensitivity: 105 dB SPL*
- Crossover Frequencies: 7 kHz or Higher, 12 dB Octave Minimum

SYSTEM COMPONENTS:

- Cabinet: N/A
- Grille: N/A
- Ultra-High Transducer: 44mm (1-3/4 in.) Aluminum Diaphragm (2405H)
- DC Resistance: 6.25 ohm ±8% Aluminum Wire

AURAL SWEEP TEST SPECIFICATIONS:

A. H.F. Aural Sweep Test: 1.0V Input, 1.0 kHz to 20.0 kHz

PHYSICAL SPECIFICATIONS:

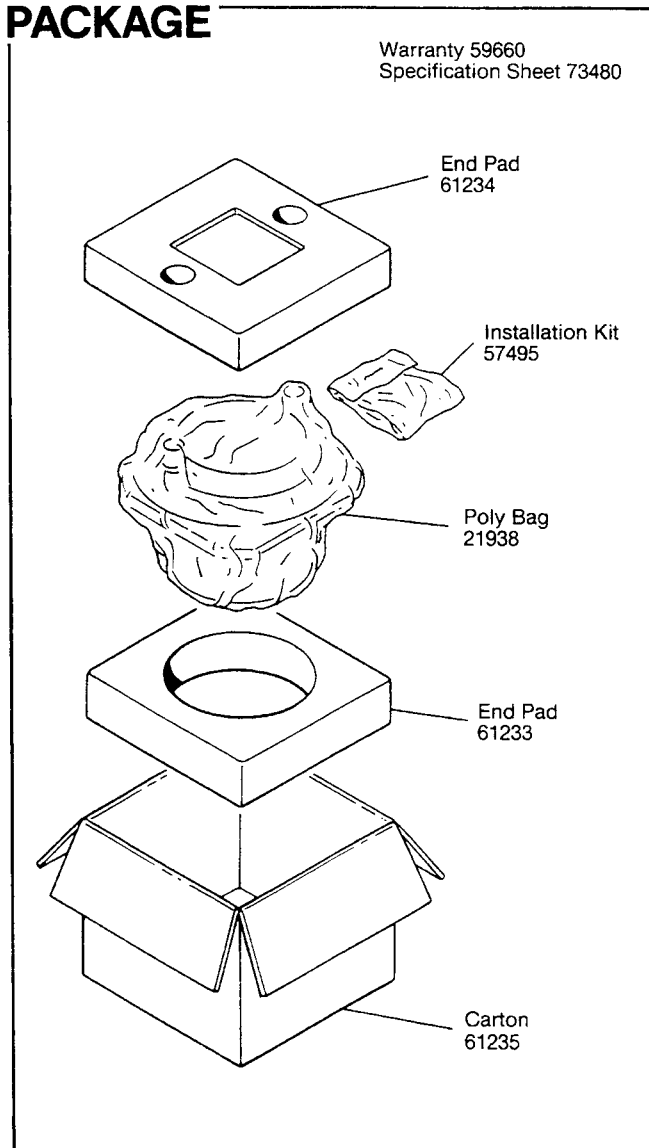
- Enclosure Dimensions: 121mm x 121mm x 95mm D (4.75 x 4.75 x 3.75 in. D)
- Shipping Weight: 5-3/4 lbs. (2.6 kg.)

WARRANTY INFORMATION:

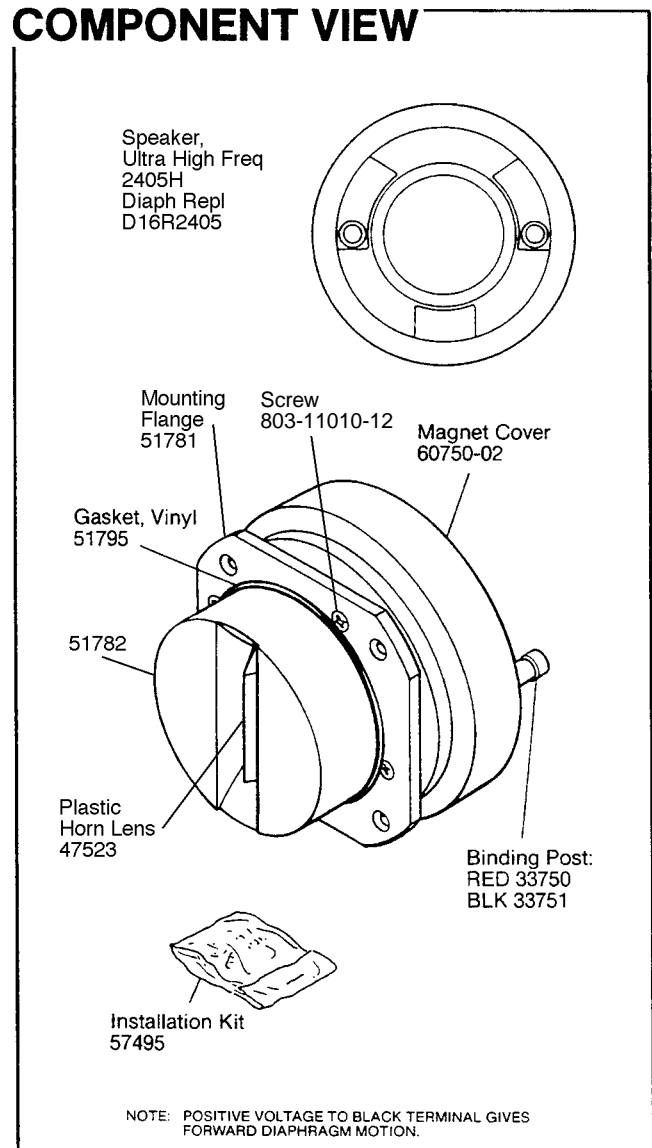
- Refer to the Warranty Statement packed with each product.

*1 Watt (2.83 V RMS) @ 1 Meter

PACKAGE



COMPONENT VIEW

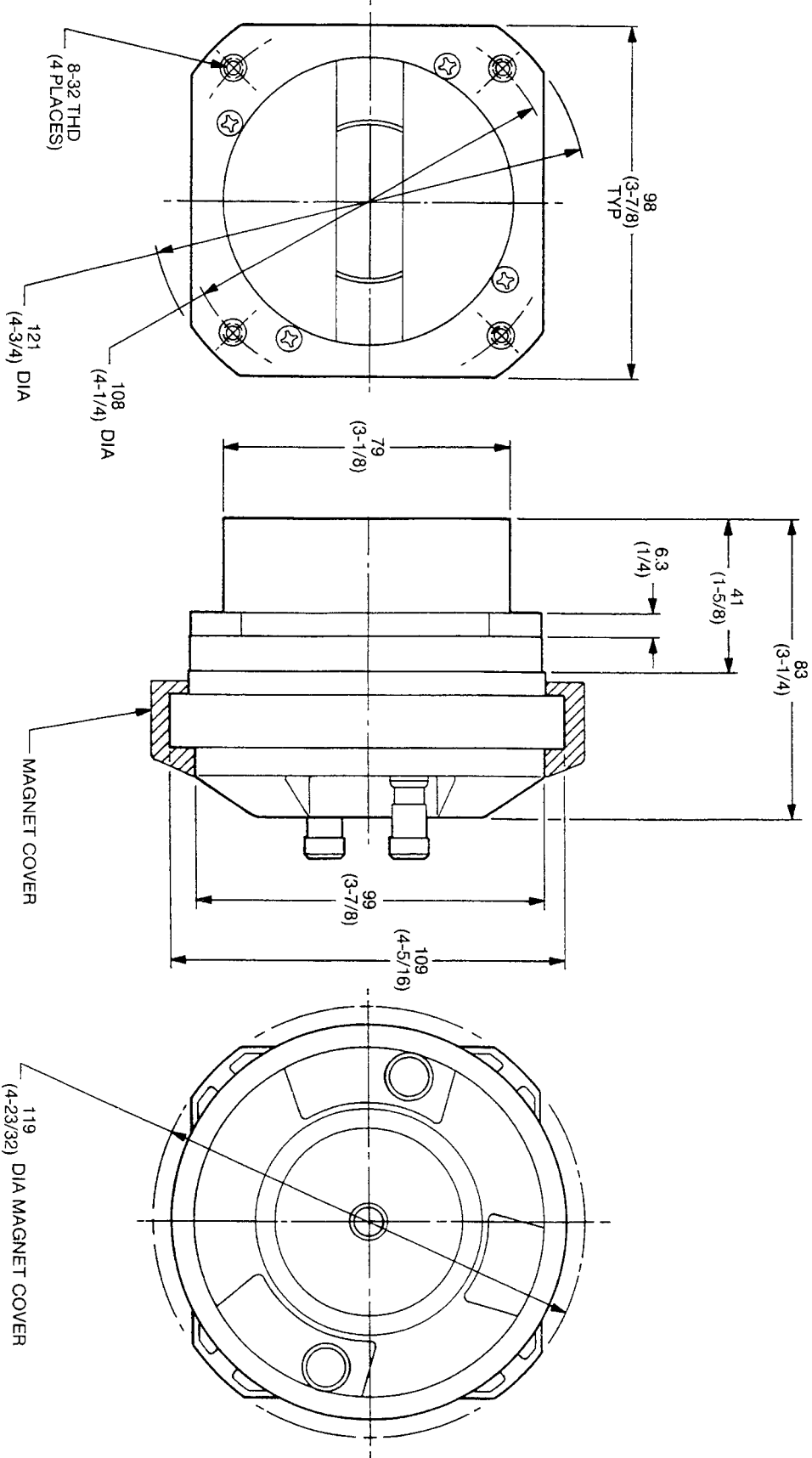


JBL 2405H REV F

JBL 2405H

THESE DRAWINGS AND SPECIFICATIONS ARE THE PROPERTY OF JBL. NOT BE REPRODUCED, COPIED, OR USED AS THE BASIS FOR MANUFACTURE OR SALE OF APPLIANCE WITHOUT WRITTEN PERMISSION.

MECHANICAL DRAWING



ALL DIMENSIONS ARE REF. ONLY
NOTE: DIMENSIONS IN () ARE IN INCHES

JBL 2405H