

Technical Manual

JBL2425H/J

SPECIFICATIONS



ACOUSTIC & ELECTRICAL SPECIFICATIONS:

- Nominal Impedance: 8 ohm (H) / 16 ohm (J)
- Power Capacity: 70W Continuous Program at 800 Hz
100W Continuous Program at 1.2 kHz
- Frequency Range: 800 Hz to 20 kHz
- Sensitivity: 110 dB SPL*
- Crossover Frequencies: 800 Hz or Higher

SYSTEM COMPONENTS:

- Cabinet: N/A
- Grille: N/A
- High Frequency Transducer: 44mm (1-3/4 in.) Pure Titanium Diaphragm (2425H/J)
- DC Resistance: 3.2 ohm ±8% Aluminum Wire (H)
6.5 ohm ±8% Aluminum Wire (J)

AURAL SWEEP TEST SPECIFICATIONS:

A. H.F. Aural Sweep Test: 2.83V Input, 550 Hz to 1.2 kHz

PHYSICAL SPECIFICATIONS:

- Enclosure Dimensions: 147mm x 147mm x 103mm D
(5.81 x 5.81 x 4.06 in. D)
- Shipping Weight: 11-1/2 lbs. (5.2 kg.)

WARRANTY INFORMATION:

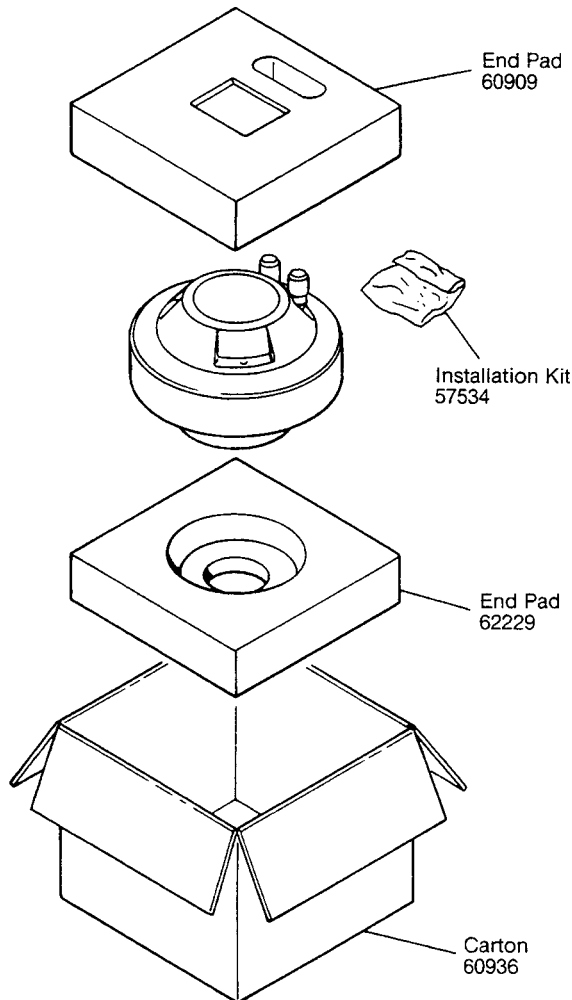
- Refer to the Warranty Statement packed with each product.

*1 Watt (2.83 V RMS) @ 1 Meter (H)

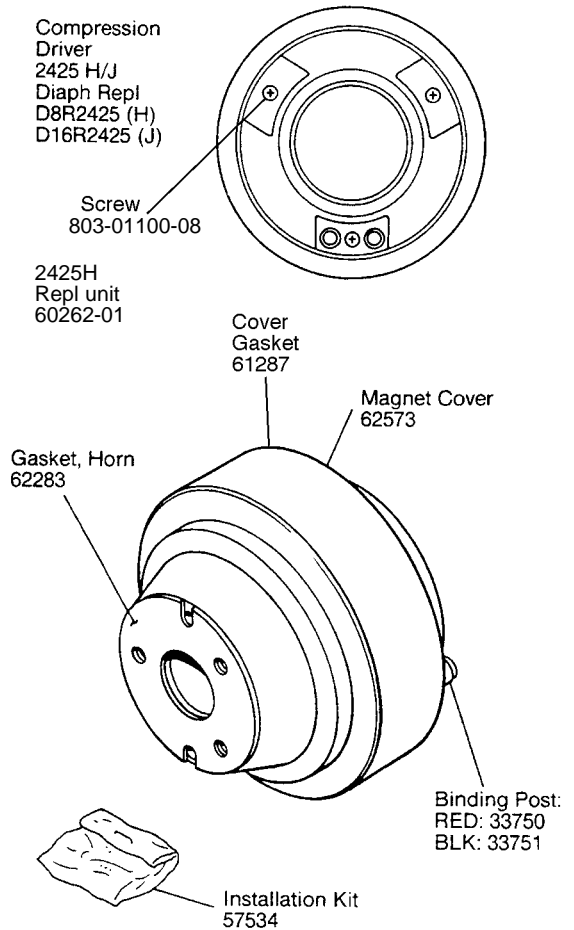
*1 Watt (4.0 V RMS) @ 1 Meter (J)

PACKAGE

Warranty 59660
Specification Sheet SS2425



COMPONENT VIEW



Also Available: Rear Cover Assembly 61282-02

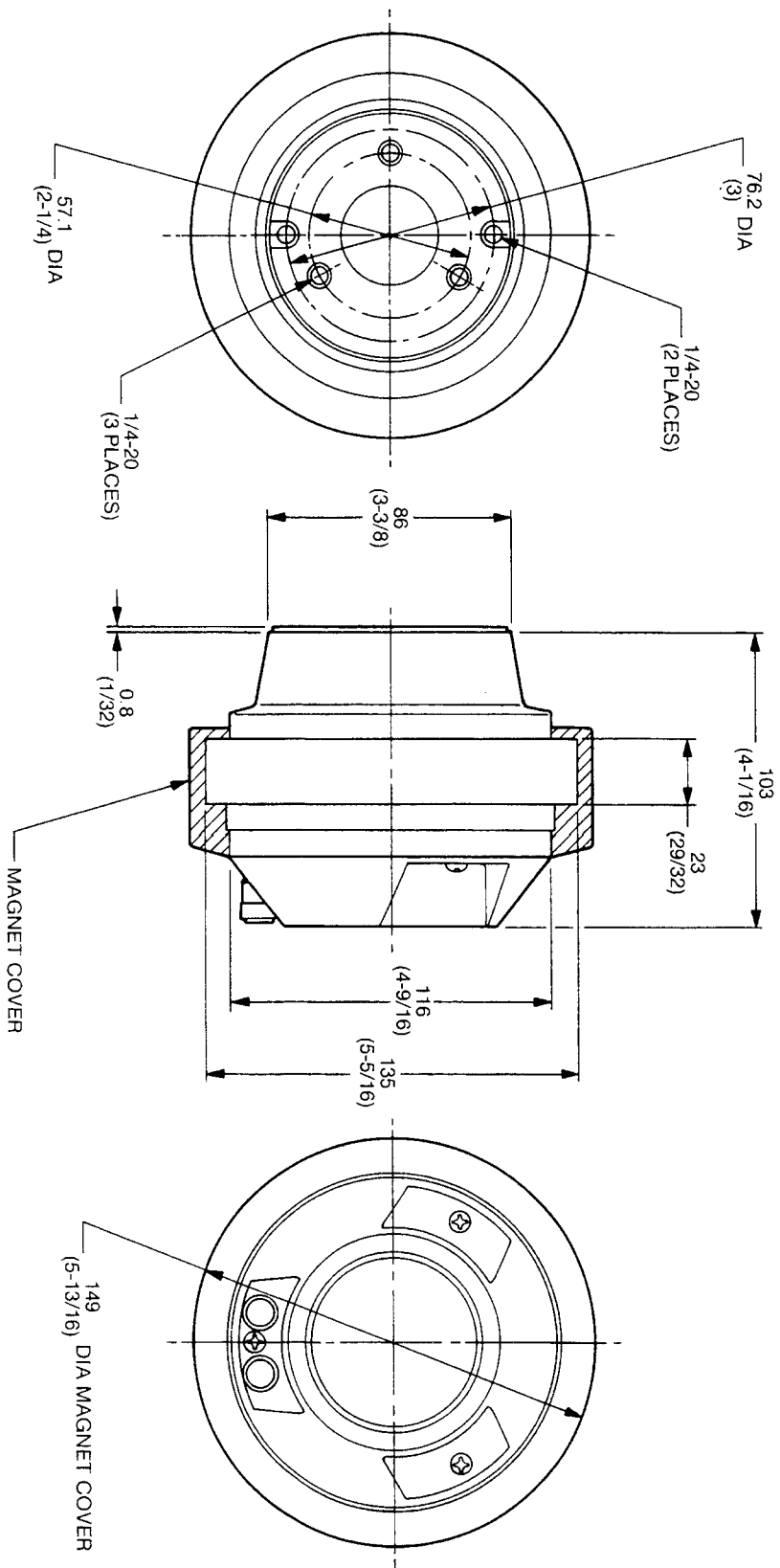
NOTE: POSITIVE VOLTAGE TO BLACK TERMINAL GIVES FORWARD DIAPHRAGM MOTION.

JBL2425H/J REV F

JBL2425H/J

MECHANICAL DRAWING

THESE DRAWINGS AND SPECIFICATIONS ARE THE PROPERTY OF JBL INC. AND SHALL NOT BE REPRODUCED, COPIED, OR USED AS THE BASIS FOR MANUFACTURE OR SALE OF APPARATUS WITHOUT WRITTEN PERMISSION.



ALL DIMENSIONS ARE REF. ONLY
NOTE: DIMENSIONS IN () ARE IN INCHES

JBL2425H/J