

Technical Manual

JBL2427H/J

SPECIFICATIONS



ACOUSTIC & ELECTRICAL SPECIFICATIONS:

- Nominal Impedance: 8 ohm (H) / 16 ohm (J)
- Power Capacity: 70W Continuous Program Above 800 Hz
100W Continuous Program Above 1.2 kHz
- Frequency Range: 500 Hz to 20 kHz
- Sensitivity: 110 dB SPL* On-Axis on Horn²
117 dB SPL* on Plane-Wave Tube³
- Crossover Frequencies: 800 Hz or Higher

SYSTEM COMPONENTS:

- Cabinet: N/A
- Grille: N/A
- High Frequency Transducer: 44mm (1-3/4 in.) Pure Titanium Diaphragm (2426H/J)
- DC Resistance: 3.2 ohm ±8% Aluminum Wire (H)
6.5 ohm ±8% Aluminum Wire (J)

AURAL SWEEP TEST SPECIFICATIONS:

A. H.F. Aural Sweep Test: 2.83V Input, 550 Hz to 1.2 kHz

PHYSICAL SPECIFICATIONS:

- Enclosure Dimensions: 149mm x 149mm x 210mm D
(5.87 x 5.87 x 8.25 in. D)
- Shipping Weight: 11.4 lbs. (5.13 kg.)

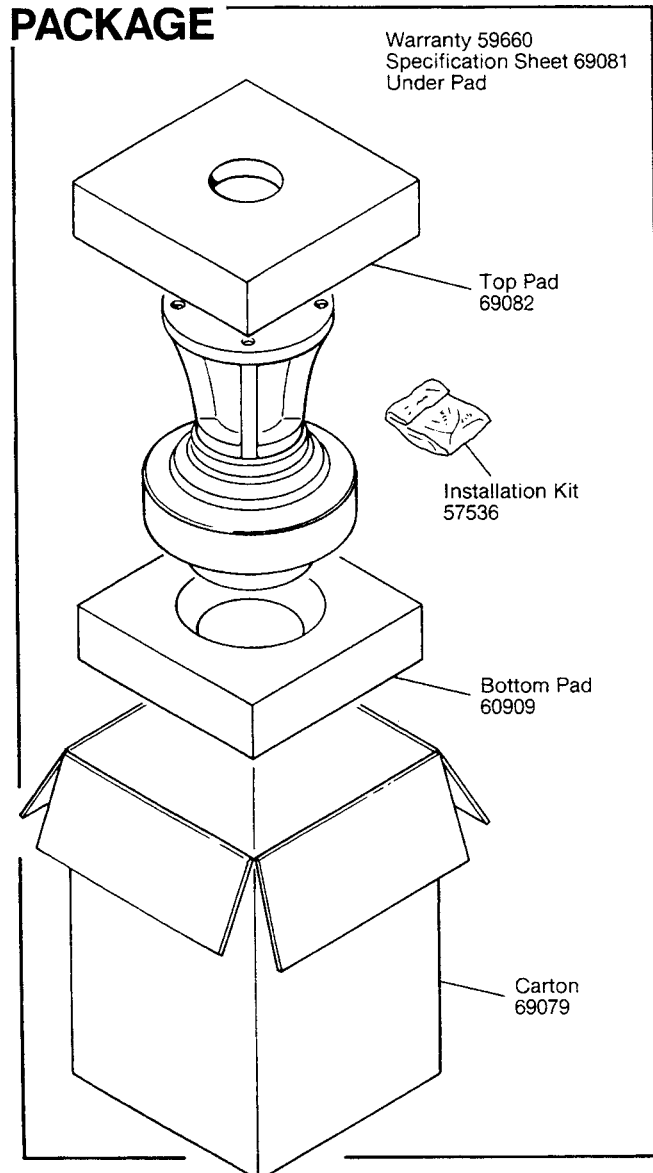
WARRANTY INFORMATION:

- Refer to the Warranty Statement packed with each product.

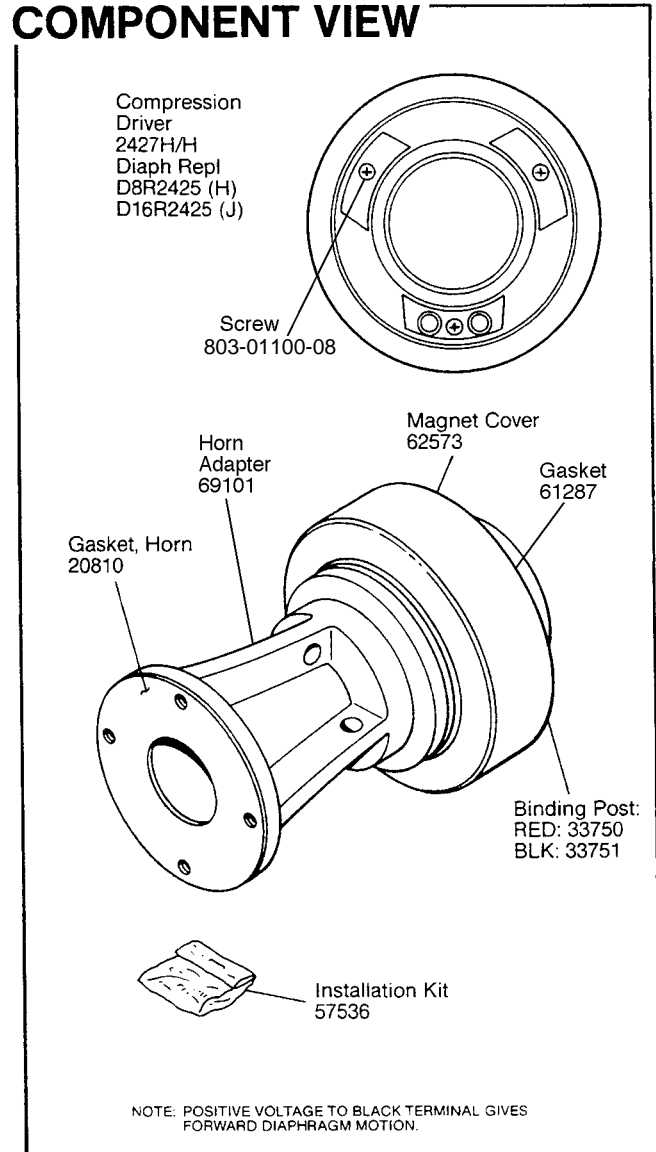
*1 Watt (2.83 V RMS) @ 1 Meter (H)

*1 Watt (4.0 V RMS) @ 1 Meter (J)

PACKAGE



COMPONENT VIEW

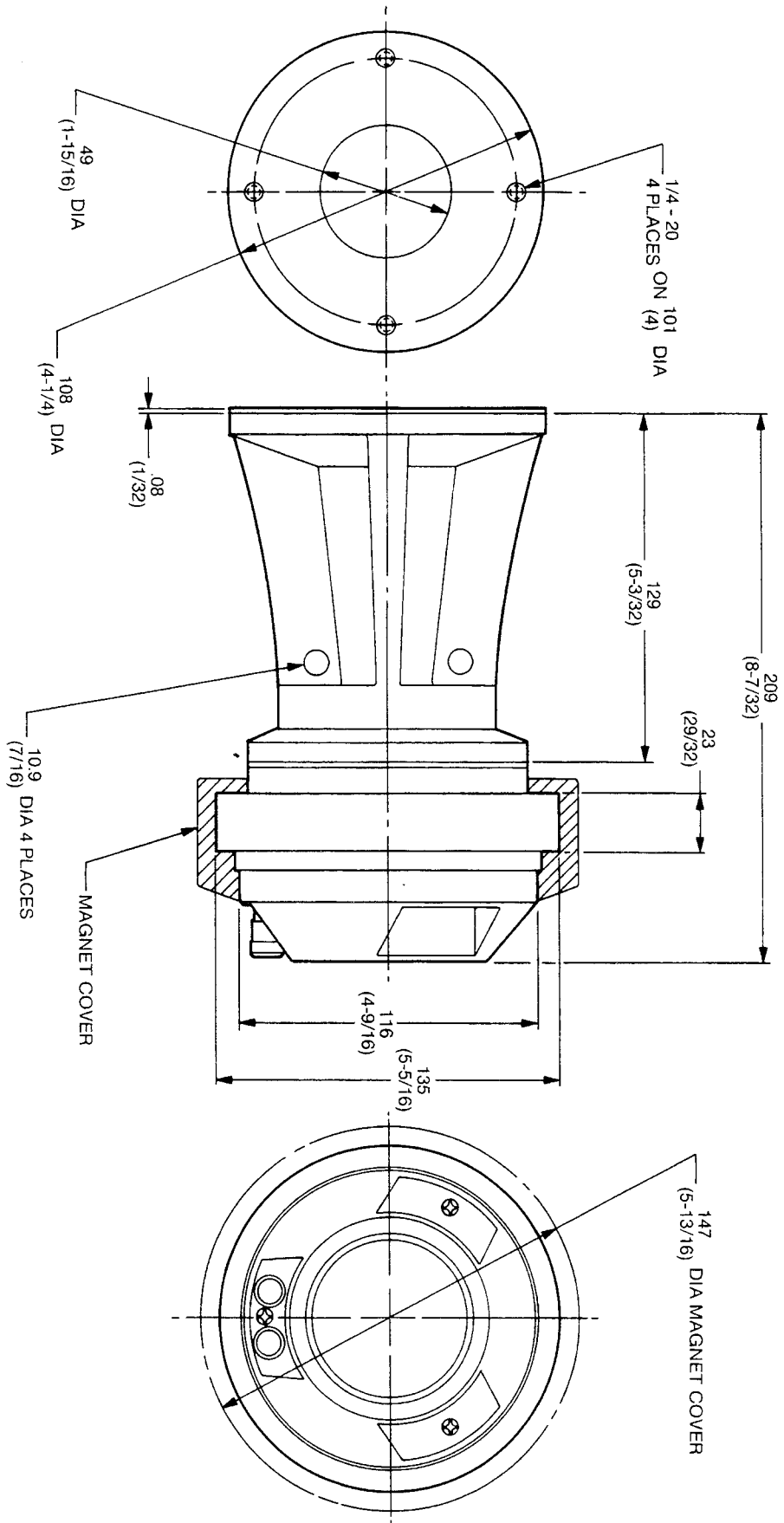


JBL2427H/J REV E

JBL2427H/J

MECHANICAL DRAWING

THESE DIMENSIONS AND SPECIFICATIONS ARE THE PROPERTY OF JBL, INCORPORATED. THEY ARE ISSUED IN STRICT CONFIDENCE AND SHALL NOT BE REPRODUCED, COPIED, OR USED AS THE BASIS FOR MANUFACTURE OR SALE OF APPARATUS WITHOUT WRITTEN PERMISSION.



ALL DIMENSIONS ARE REF. ONLY
NOTE: DIMENSIONS IN () ARE IN INCHES

JBL2427H/J