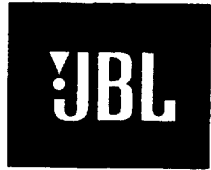


Technical Manual



JBL2441

SPECIFICATIONS

ACOUSTIC & ELECTRICAL SPECIFICATIONS:

- Nominal Impedance: 16 ohm
- Power Capacity: 70W Continuous Program
- Frequency Range: 500 Hz to 18 kHz
- Sensitivity: 118 dB SPL*
- Crossover Frequencies: 500 Hz or Higher

SYSTEM COMPONENTS:

- Cabinet: N/A
- Grille: N/A
- High Frequency Transducer: 100mm (4 in.) Aluminum Diaphragm (2441)
- DC Resistance: 8 ohm \pm 8% Aluminum Wire

AURAL SWEEP TEST SPECIFICATIONS:

- A. H.F. Aural Sweep Test: 2.83V Input, 550 Hz to 1.2 kHz

PHYSICAL SPECIFICATIONS:

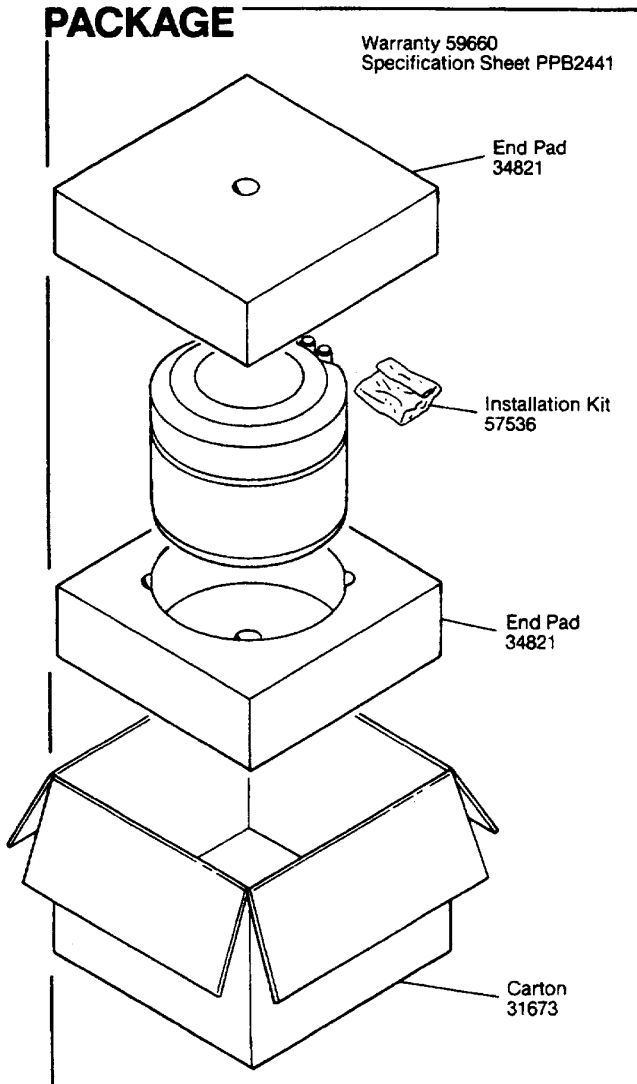
- Enclosure Dimensions: 178mm x 178mm x 137mm D (7.0 x 7.0 x 5.375 in. D)
- Shipping Weight: 26 lbs. (11.8 kg.)
- Magnet Alnico

WARRANTY INFORMATION:

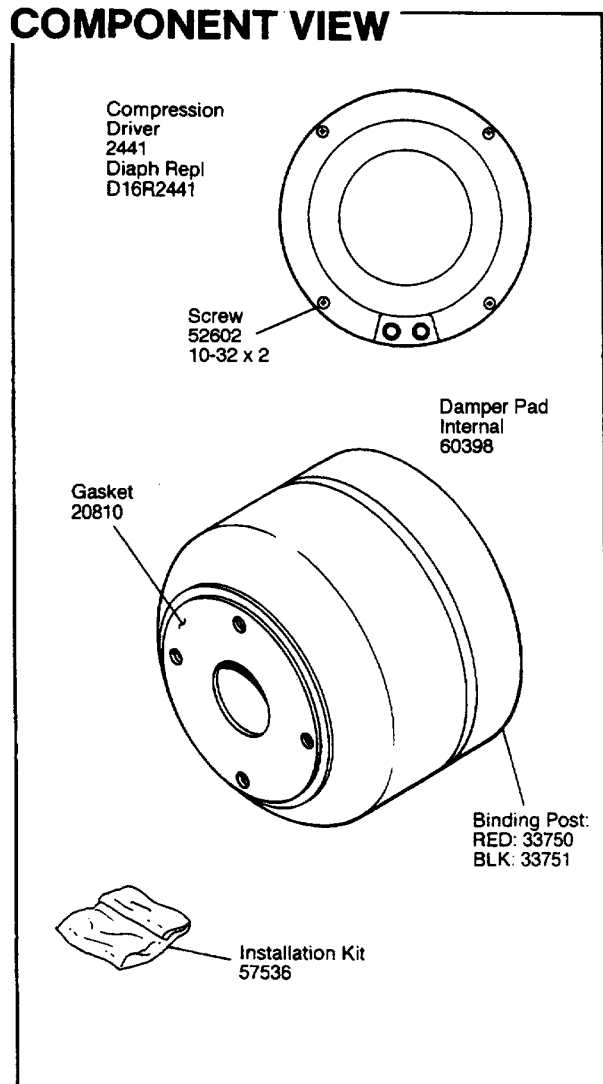
- Refer to the Warranty Statement packed with each product.

*1 Watt (4.0 V RMS) @ 1 Meter

PACKAGE



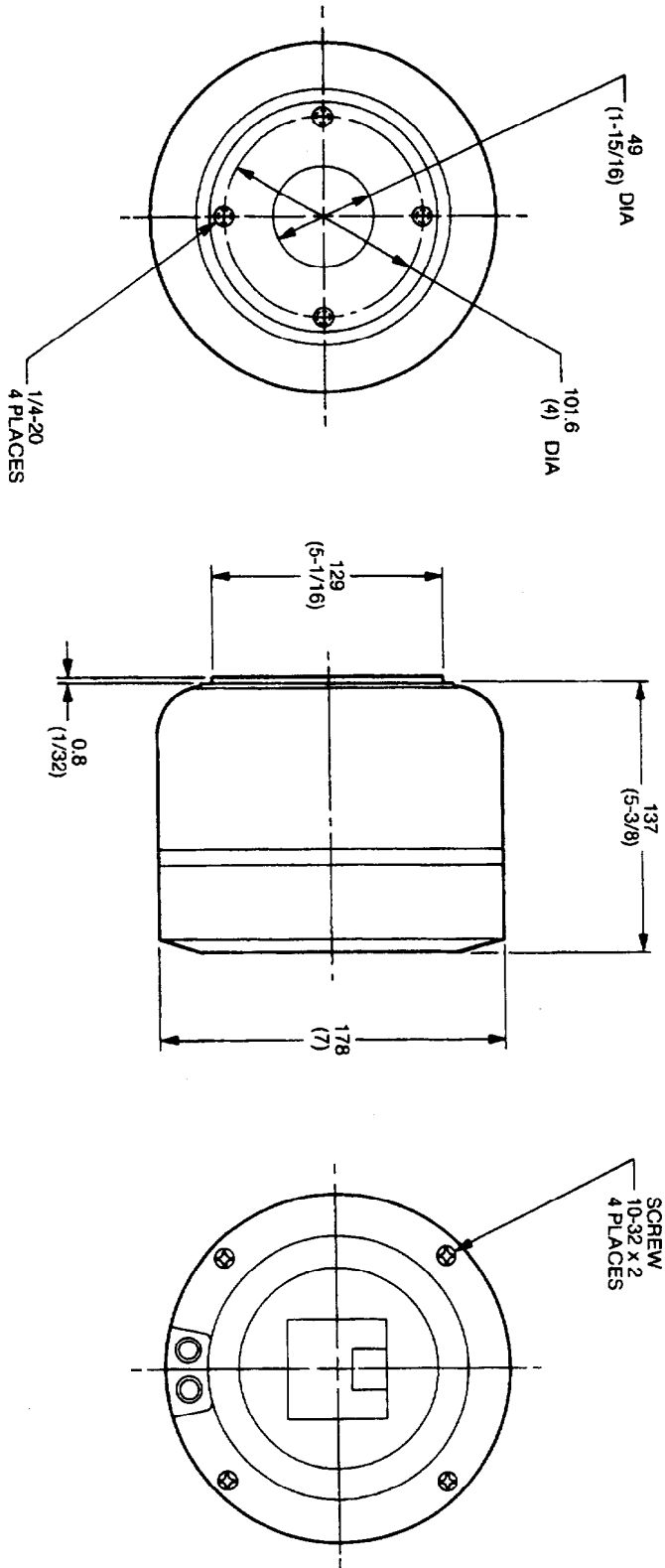
COMPONENT VIEW



JBL2441

MECHANICAL DRAWING

THESE DIMENSIONS AND SPECIFICATIONS ARE THE PROPERTY OF JBL INC. AND ARE NOT TO BE REPRODUCED, COPIED, OR USED AS THE BASIS FOR MANUFACTURE OR SALE OF APPLICABLE WITHOUT WRITTEN PERMISSION.



ALL DIMENSIONS ARE REF. ONLY
NOTE: DIMENSIONS IN () ARE IN INCHES

JBL2441