

Technical Manual

JBL2445H/J

SPECIFICATIONS



ACOUSTIC & ELECTRICAL SPECIFICATIONS:

- Nominal Impedance: 8 ohm (H) / 16 ohm (J)
- Power Capacity: 100W Continuous Program Above 500 Hz
150W Continuous Program Above 1 kHz
- Frequency Range: 500 Hz to 20 kHz
- Sensitivity: 111 dB SPL* On-Axis on Horn²
118 dB SPL* on Plane-Wave Tube³
- Crossover Frequencies: 500 Hz or Higher

SYSTEM COMPONENTS:

- Cabinet: N/A
- Grille: N/A
- High Frequency Transducer: 100mm (4 in.) Pure Titanium Diaphragm (2445H/J)
- DC Resistance: 4.0 ohm \pm 8% Aluminum Wire (H)
8.0 ohm \pm 8% Aluminum Wire (J)

AURAL SWEEP TEST SPECIFICATIONS:

- A. H.F. Aural Sweep Test: 2.83V Input, 500 Hz to 1.2 kHz

PHYSICAL SPECIFICATIONS:

- Enclosure Dimensions: 235mm x 235mm x 131mm D
(9.25 x 9.25 x 5.18 in. D)
- Shipping Weight: 32 lbs. (14.5 kg.)

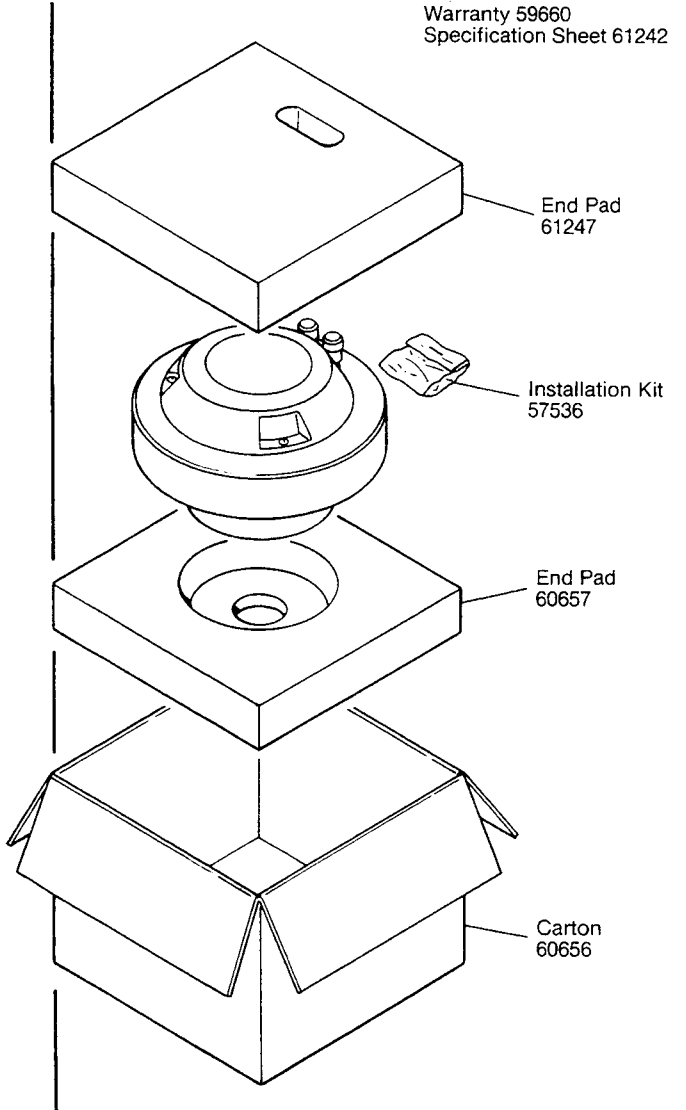
WARRANTY INFORMATION:

- Refer to the Warranty Statement packed with each product.

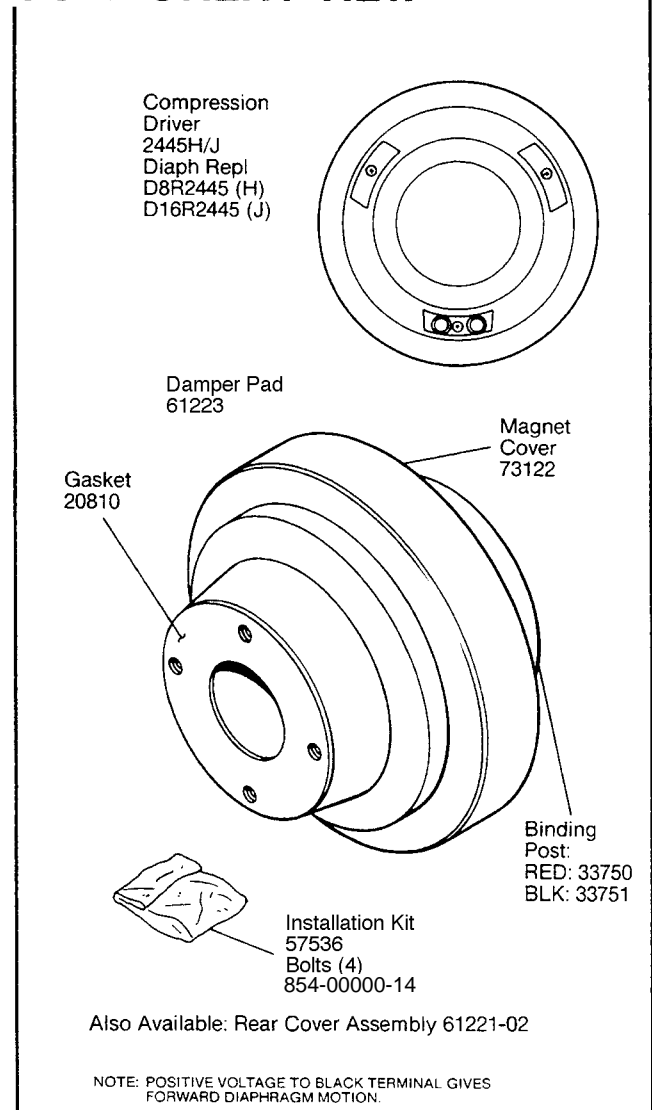
*1 Watt (2.83 V RMS) @ 1 Meter (H)

*1 Watt (4.0 V RMS) @ 1 Meter (J)

PACKAGE



COMPONENT VIEW

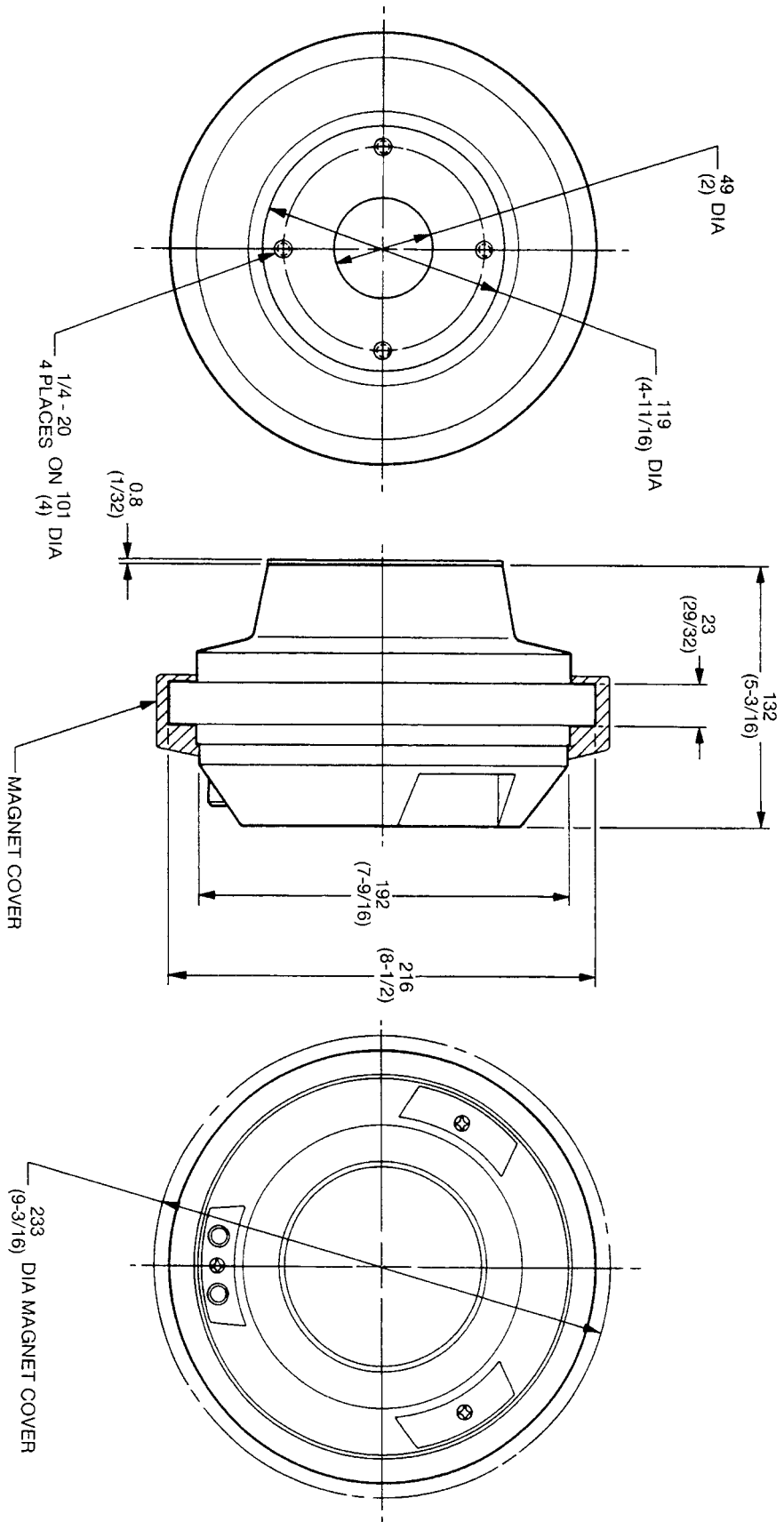


JBL2445H/J REV E

JBL2445H/J

THESE DRAWINGS AND SPECIFICATIONS ARE THE PROPERTY OF JBL. UNLESS INDICATED OTHERWISE, THEY ARE ISSUED IN STRICT CONFIDENCE AND SHALL NOT BE REPRODUCED, COPIED, OR USED AS THE BASIS FOR MANUFACTURE OR SALE OF ANY PARTS WITHOUT WRITTEN PERMISSION.

MECHANICAL DRAWING



ALL DIMENSIONS ARE REF. ONLY
NOTE: DIMENSIONS IN () ARE IN INCHES

JBL2445H/J