

Technical Manual

JBL2450CM

SPECIFICATIONS



ACOUSTIC & ELECTRICAL SPECIFICATIONS:

- Nominal Impedance: 8 ohm
- Power Capacity: 120W Continuous Program Above 300 Hz
150W Continuous Program Above 1 kHz
- Frequency Range:
- Sensitivity: 111 dB SPL*, 1W @ 1m On-Axis On Horn*
118 dB SPL*, 1mV On Plane Wave Tube
- Crossover Frequencies: N/A

SYSTEM COMPONENTS:

- Cabinet: N/A
- Grille: N/A

SYSTEM COMPONENTS: (cont'd)

- High Frequency Transducer: 38mm (1.5 in. Exit) Pure Titanium Diaphragm (2450SL)
- DC Resistance: 4.1 ohm \pm 5% Aluminum Wire

AURAL SWEEP TEST SPECIFICATIONS:

- H.F. Aural Sweep Test: 2.83V Input, 500 Hz to 1.2 kHz

PHYSICAL SPECIFICATIONS:

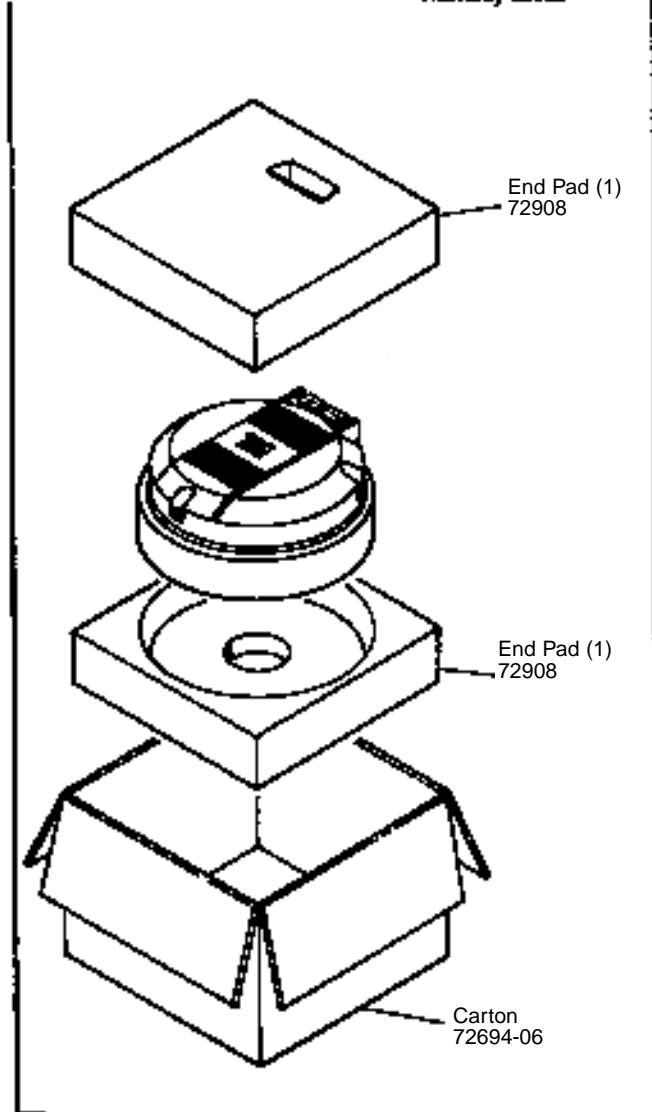
- Enclosure Dimensions: 168mm DIA x 73mm D (6.62 DIA x 2.87 in. D)
- Neodymium Magnet
- Shipping Weight

WARRANTY INFORMATION:

- Refer to the Warranty Statement packed with each product.
- *1 Watt (2.83 V RMS) @ 1 Meter (1f)

PACKAGE

Warranty 59060

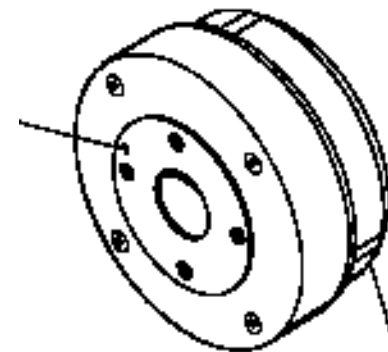


COMPONENT VIEW

Compression Driver
2450CM
Diaph Repl
D16R2482



Gasket
20810



Input Terminals
323892-001

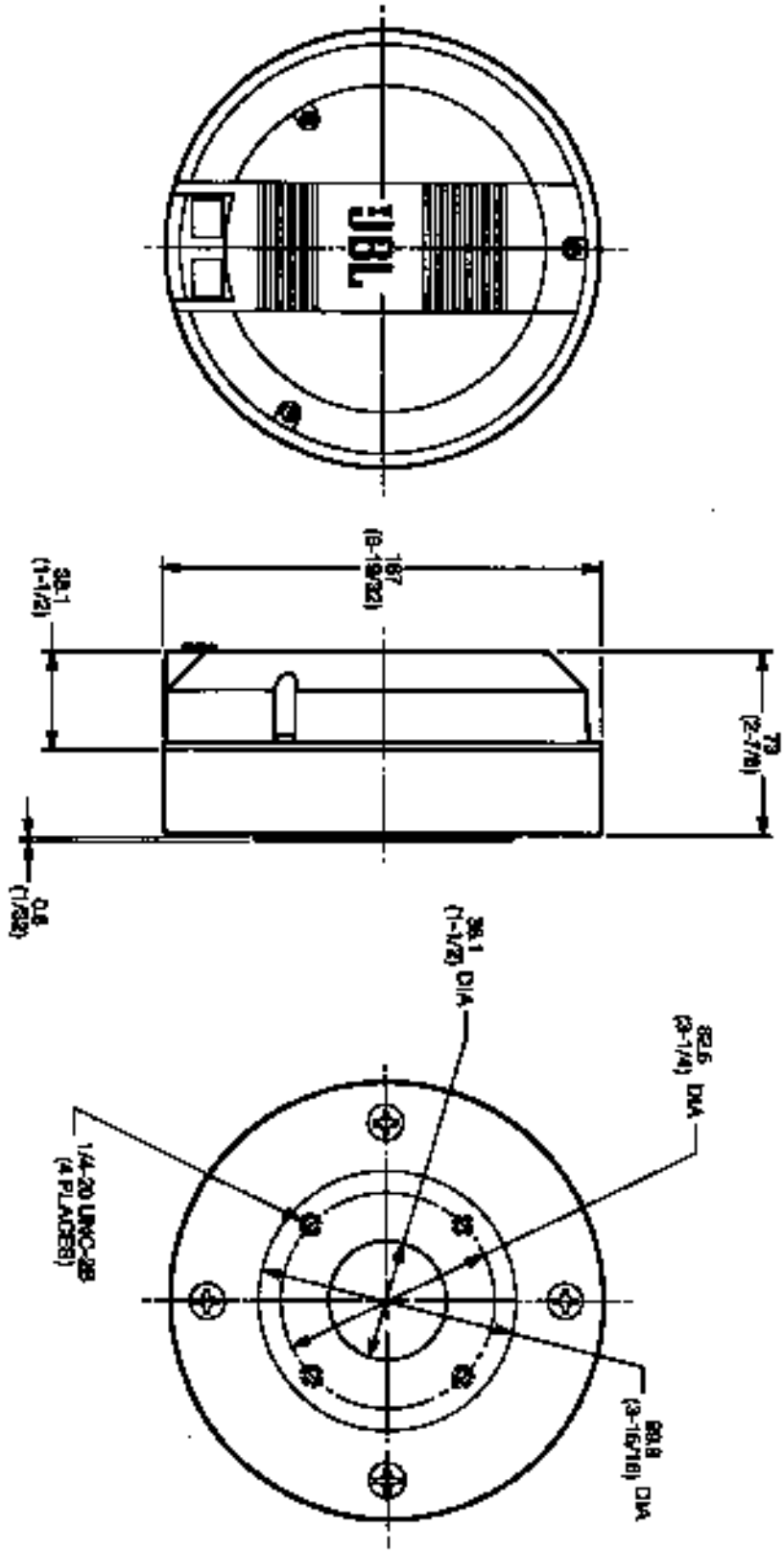
POSITIVE VOLTAGE TO BLACK TERMINAL DIVER
FORWARD DIRECTIONAL MOTION.

JBL2450CM REV B

JBL2450CM

MECHANICAL DRAWING

THIS DRAWING IS THE PROPERTY OF JBL. IT IS TO BE KEPT IN CONFIDENCE AND NOT TO BE REPRODUCED OR TRANSMITTED IN ANY FORM OR BY ANY MEANS, ELECTRONIC OR MECHANICAL, INCLUDING PHOTOCOPYING, RECORDING, OR BY ANY INFORMATION STORAGE AND RETRIEVAL SYSTEM. WITHOUT THE WRITTEN PERMISSION OF JBL.



ALL DIMENSIONS ARE RIB. ONLY
NOTE: DIMENSIONS IN () ARE IN INCHES

JBL2450CM