

Technical Manual



JBL2450SL

SPECIFICATIONS

ACOUSTIC & ELECTRICAL SPECIFICATIONS:

- Nominal Impedance: 8 ohm
- Power Capacity: 100W Continuous Program Above 500 Hz
150W Continuous Program Above 1 kHz
- Frequency Range: 500 Hz to 20 kHz
- Sensitivity: 111 dB SPL*, 1W @ 1m On-Axis On Horn*
118 dB SPL*, 1mW On Plane Wave Tube
- Crossover Frequencies: N/A

SYSTEM COMPONENTS:

- Cabinet: N/A
- Grille: N/A

SYSTEM COMPONENTS: (cont'd)

- High Frequency Transducer: 38mm (1.5 in. Exit) Pure Titanium Diaphragm (2450SL)
- DC Resistance: 4.1 ohm ±8% Aluminum Wire

AURAL SWEEP TEST SPECIFICATIONS:

- H.F. Aural Sweep Test: 2.83V Input, 500 Hz to 1.2 kHz

PHYSICAL SPECIFICATIONS:

- Enclosure Dimensions: 168mm DIA x 73mm D (6.62 DIA x 2.87 in. D)
- Neodymium Magnet
- Shipping Weight:

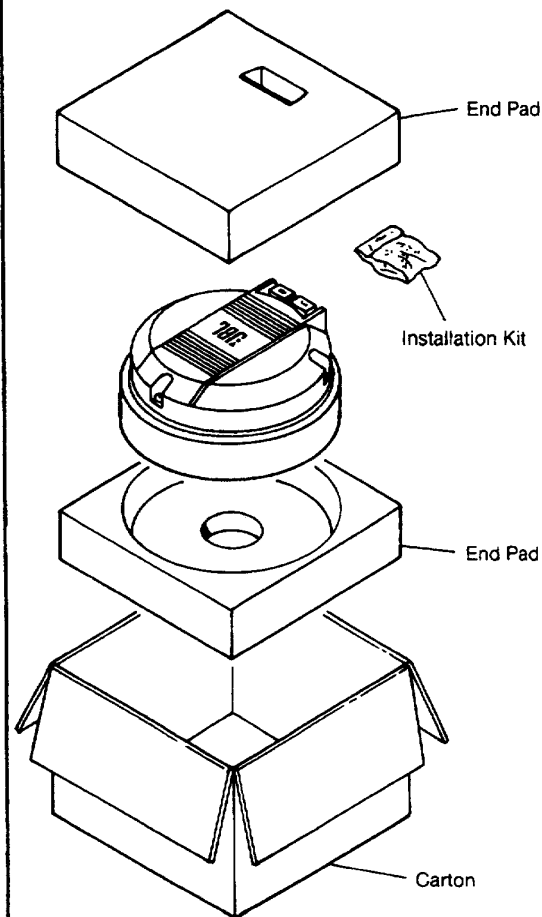
WARRANTY INFORMATION:

- Refer to the Warranty Statement packed with each product.

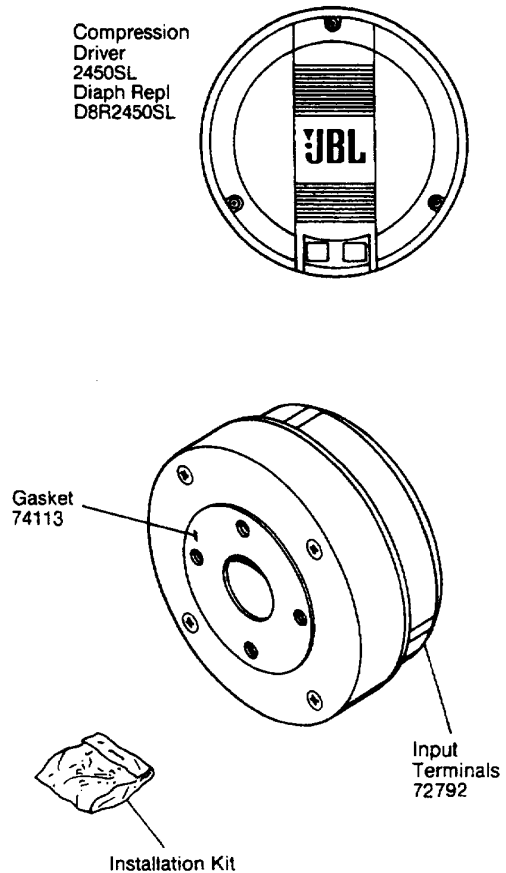
*1 Watt (2.83 V RMS) @ 1 Meter (H)

PACKAGE

Warranty 59660



COMPONENT VIEW



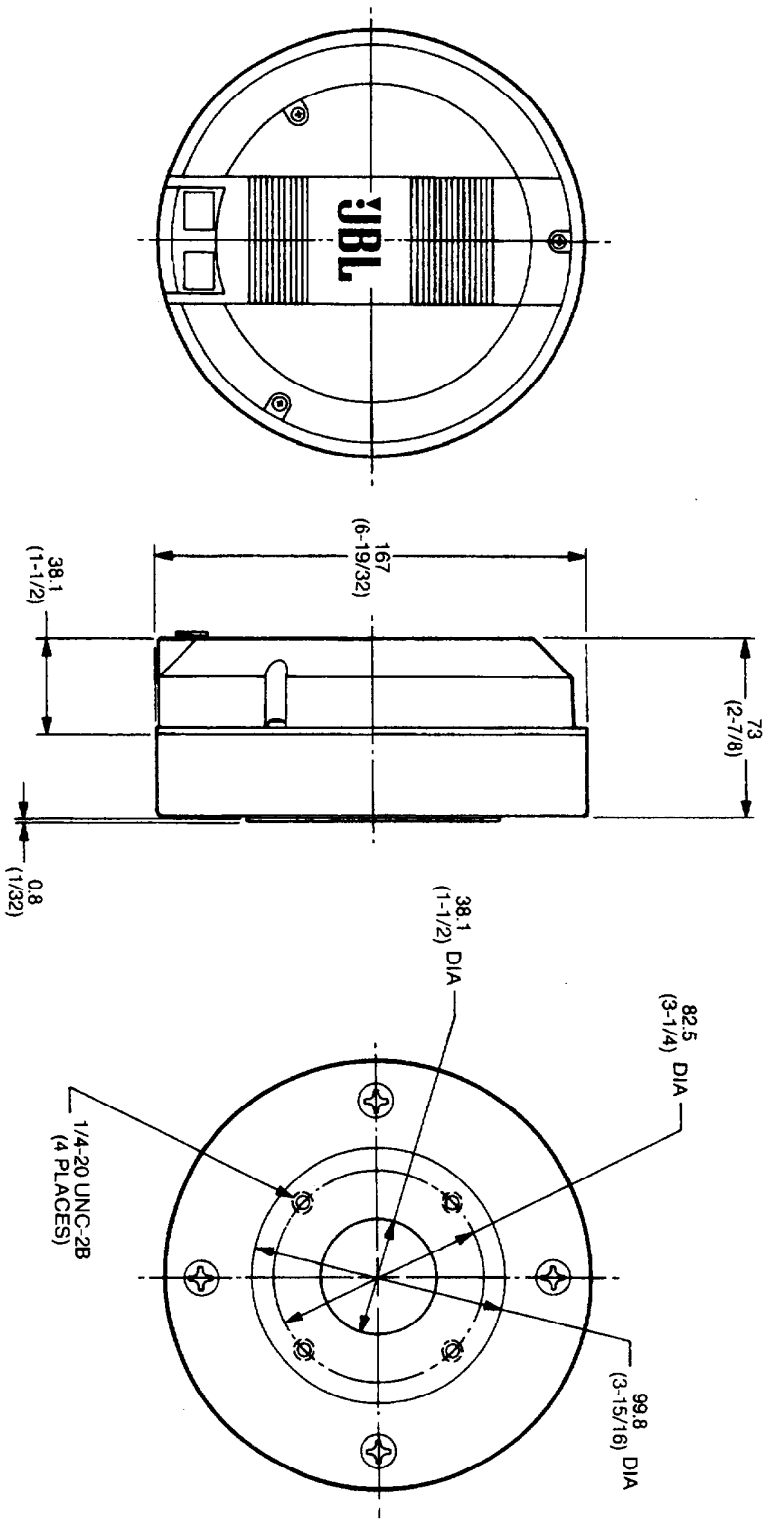
POSITIVE VOLTAGE TO BLACK TERMINAL GIVES FORWARD DIAPHRAGM MOTION.

JBL2450SL REV C

JBL2450SL

MECHANICAL DRAWING

THESE DIMENSIONS AND SPECIFICATIONS ARE THE PROPERTY OF JBL. ALL INFORMATION IS TO BE KEPT IN STRICT CONFIDENCE AND SHALL NOT BE DISCLOSED TO ANY OTHER PARTY WITHOUT THE WRITTEN PERMISSION OF JBL.



ALL DIMENSIONS ARE REF. ONLY
NOTE: DIMENSIONS IN () ARE IN INCHES

JBL2450SL