

Technical Manual

JBL 2452H/J



SPECIFICATIONS

ACOUSTIC & ELECTRICAL SPECIFICATIONS:

- Nominal Impedance: 8 ohm (H), 16 OHM (J)
- Power Capacity: 100 Watts Continuous Program Above 500Hz
150 Watts Continuous Program Above 1 kHz
- Frequency Response: 500 Hz or Higher, 12 dB Octave Min.
- Sensitivity: 111 dB SPL* (1W @ 1m) On Axis On Horn
118 dB SPL** (1mW) On Plane Wave Tube
- Crossover Freq.: N/A

SYSTEM COMPONENTS:

- Cabinet: N/A
- Grille: N/A
- High Frequency Transducer: 38 mm (1-1/2 in Exit) Pure Titanium Diaphragm (2452H/J)
- DC Resistance: 4.1 ohm ± 8% Aluminum Wire (H)
8.00 ohm ± 8% Aluminum Wire (J)

AURAL SWEEP TEST SPECIFICATIONS:

- H.F. Aural Sweep Test: 2.83V Input, 100 Hz to 1.0 kHz (H)
4.0V Input, 100 Hz to 1.0 kHz (J)

PHYSICAL SPECIFICATIONS:

- Dimensions: 165 mm DIA x 94 mm D
(6.5 DIA x 3.75 in. D)
- Neodymium Magnet
- Shipping Weight: 10 lbs. (4.5 kg.)

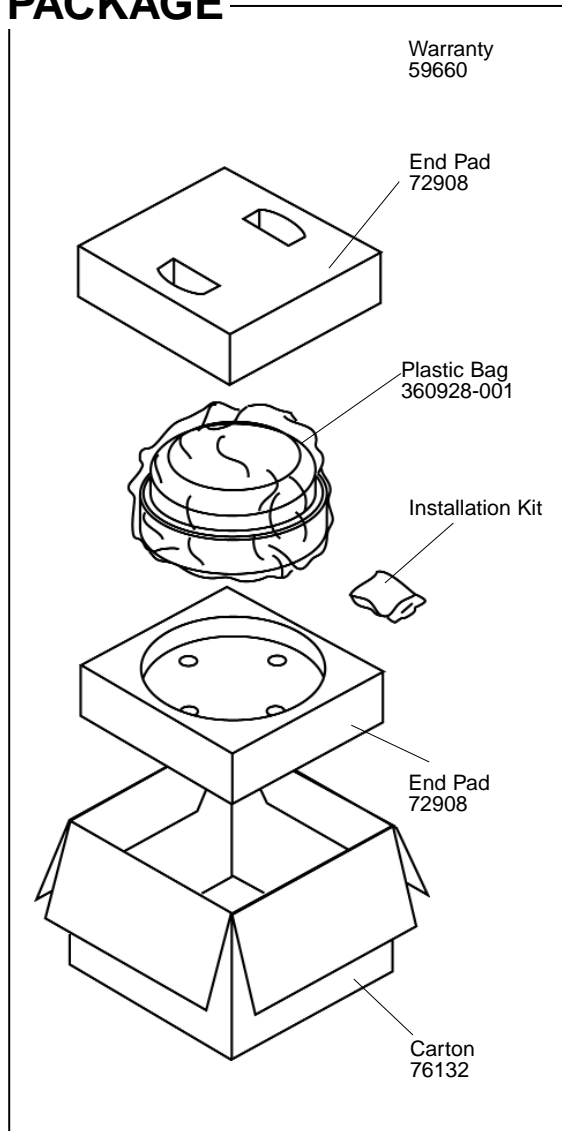
WARRANTY INFORMATION:

- Refer to Warranty Statement packed with each product.

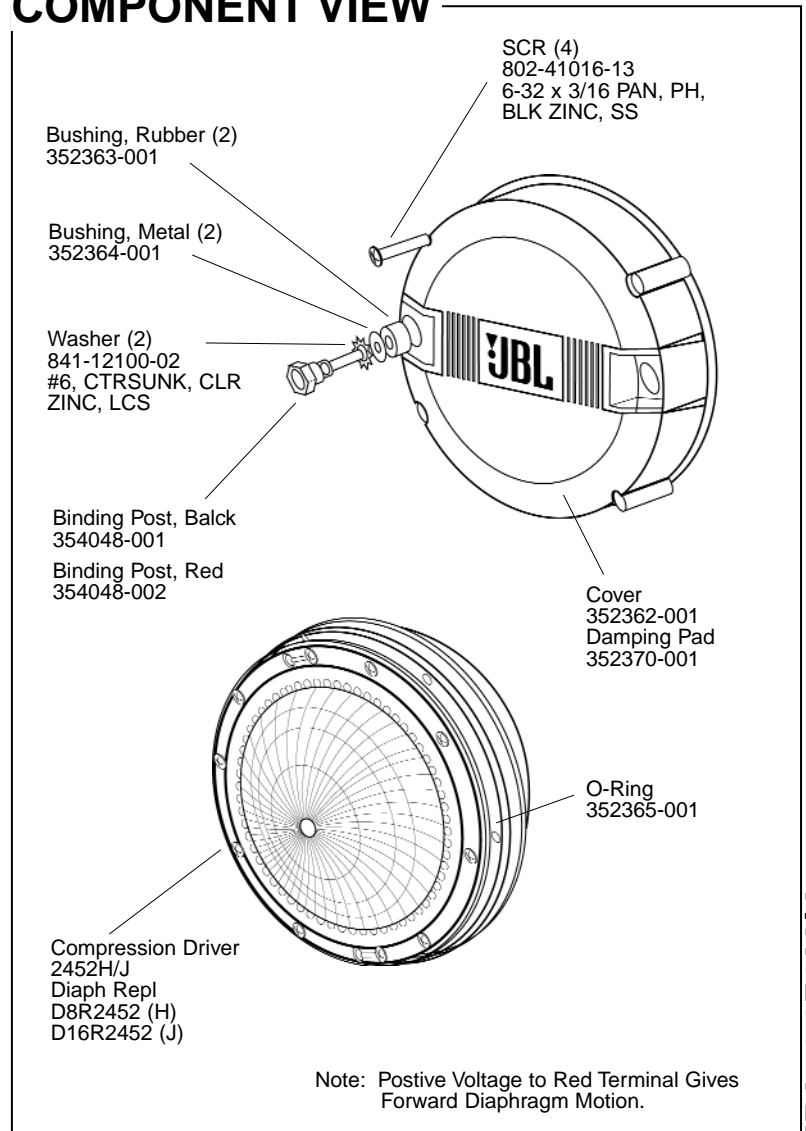
*1 Watt (2.83 V RMS) @ 1 Meter (H)

**1 Watt (4.0 V RMS) @ 1 Meter (J)

PACKAGE



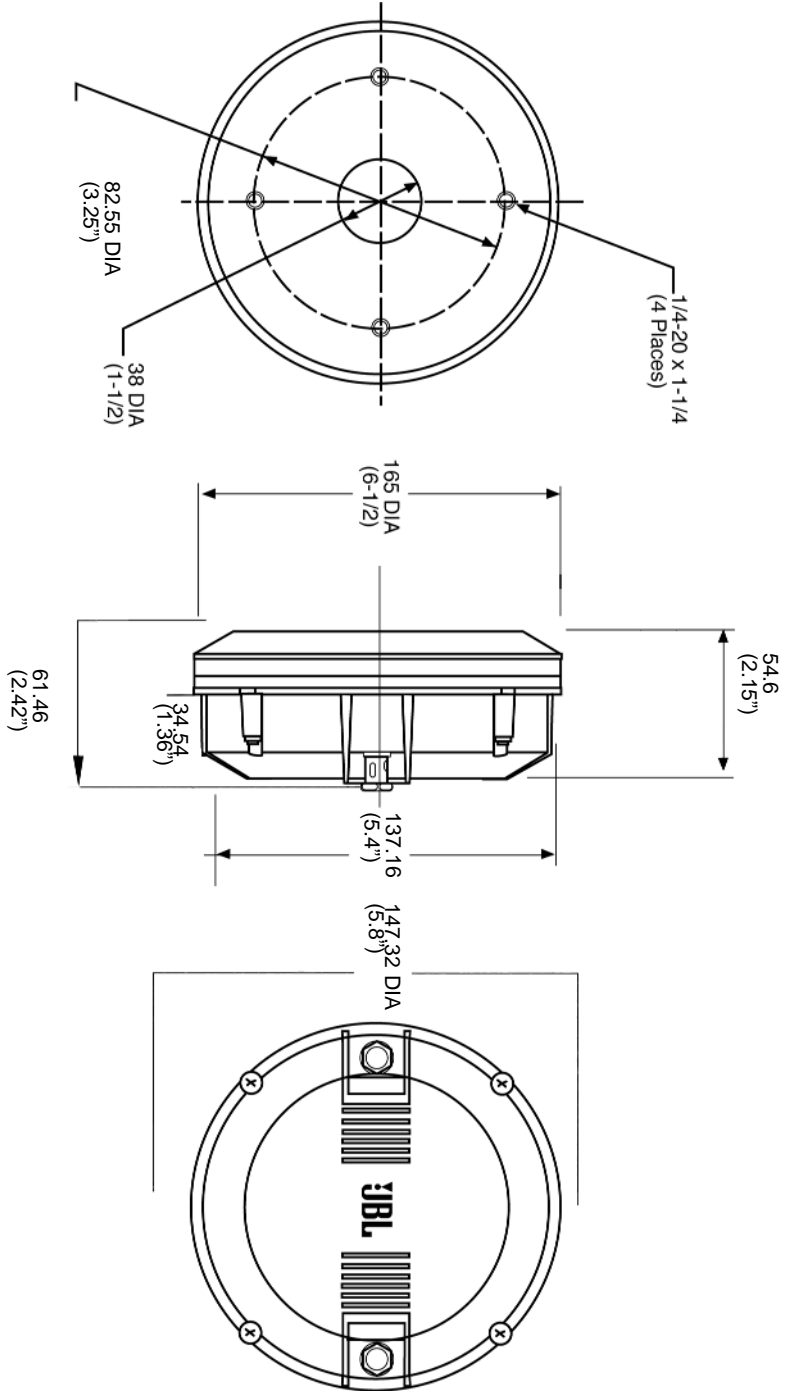
COMPONENT VIEW



JBL 2452H/J REV G

JBL 2452H/J

MECHANICAL DRAWING



All Dimensions Are Reference Only.
NOTE: Dimensions in () Are in Inches.